







XMRDASHCAMADPLUS

Especificaciones



Video/Audio	
Video/Audio	4 canales (default: 2 canales; opcional: 2 canales)
Resolución Max	5MP@25fps(ADAS)+1080P@25fps(DSC)+1080P@25fps(AHD) +1080P@30fps(IPC)
	PAL: 1 × 5MP@25fps (AHD) + 2 × 1080P@25fps (AHD) + 1 × 1080P@30fps (IPC) NTSC: 1 × 5MP@30fps (AHD) + 2 × 1080P@30fps (AHD) + 1 × 1080P@30fps (IPC)
Ajuste imagen	Adjustable brightness, chroma, contrast, color saturation, and sharpness
Compresión vid	H.264 /H.265 (default: H.265)
Compresion De audio	ADPCM/G.711/G.726 (default: ADPCM)
CBR/VBR	Supported. VBR or CBR (optional), VBR by default
Audio	Mic interconstruido
Altavoz	interconstruido 3W
Parámetros ADAS	
Sensor	1/2.7" 5-megapixel CMOS sensor
Shutter Speed	1/30s-1/100000s
Lente	2.8mm HFOV: 123° VFOV: 65° DFOV: 140°
	MDVR built-in lens
Wide Dynamic Range (WDR)	WDR digital
Backlight Compensation	Soportada
Signal-to-Noise Ratio (S/N)	≥48dB
Cámara interna	
Sensor	1/2.9" 2-megapixel CMOS sensor
Shutter Speed	1/30s-1/100000s
Lente	2.2mm HFOV: 154° VFOV: 84° DFOV: 170°
Lens Mount	MDVR built-in lens
Wide Dynamic Range (WDR)	Digital WDR
Backlight Compensation	Supported
Signal-to-Noise Ratio (S/N)	≥45db
Status Led	
1. Power Status	 Off/Blue
4. Network Status	 Off/Red

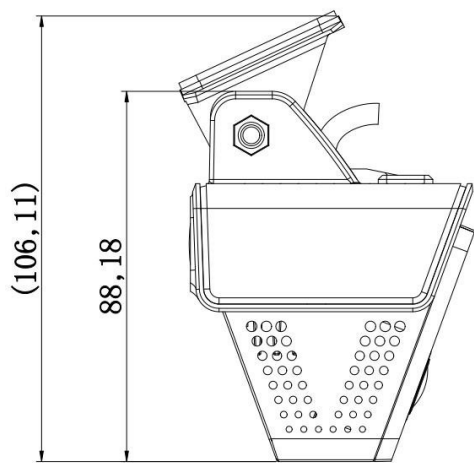
Indicator		Indicator	
2. Alarm Indicator	 Off/Red	5. WiFi Status Indicator	 Off/Red/Green
3. GPS Signal Indicator	 Off/Red	6. Recording Status Indicator	 Off/Red
almacenamiento			
Micro SD card	2 x MicroSD hasta 256 GB c/u		
Sensor			
Six-axis Sensor	Supported, Harsh Acceleration, Deceleration, Sharp turn & Accident detection		
Datos motor			
Puerto CAN	Soportado		
Puertos			
RS232	1		
IO Port	4-channel input		
CAN	1		
USB	1 × mini USB port		
Red			
WIFI	Support 2.4G (IEEE Std.802.11a/IEEE Std.802.11b/ IEEE Std.802.11g /IEEE Std.802.11n)		
4G	Supported For North America: EC25AFXGA-128-SGAS LTE FDD: B2/B4/B5/B12/B13/B14/B66/B71 WCDMA: B2/B4/B5 For Europe and Asia: EC25-EC LTE FDD: B1/B3/B7/B8/B20/B28A WCDMA: B1/B8 GSM: B3/B8 For Latin America: EC25AUXGA-128-SGNS LTE FDD: B1/B2/B3/B4/B5/B7/B8/B28 LTE TDD: B40 WCDMA: B1/B2/B5/B8 GSM: B2/B3/B5/B8		
Posición			
GPS	Supported GPS L1 1575.42MHz BDS B1 1561.098MH GALILEO E1B/C1 GLONASS L1OF 1602MHz SBAS: WAAS, EGNOS, MSAS, GAGAN		
Protocol			
Red	HTTP,TCP,ARP,UDP,FTP,DHCP,DNS,IPV4,NTP		
Características eléctricas			
Consumo	9-36V		
Bateria interna	No soportada		
Consumo de energía	12 W		

Especificaciones generales	
Dimensiones	113.0 mm (length) × 67.8 mm (width) × 88.2mm (height, without bracket)
peso	MDVR: 306 g MDVR + bracket + screw + power supply box + power tail cable: 590 g
Temperatura soportada	-40°C - +70°C (-40°F - +158°F)
Temperatura de almacenamiento	-40°C - +85°C (-40°F - +185°F)
Humedad	15% - 90%

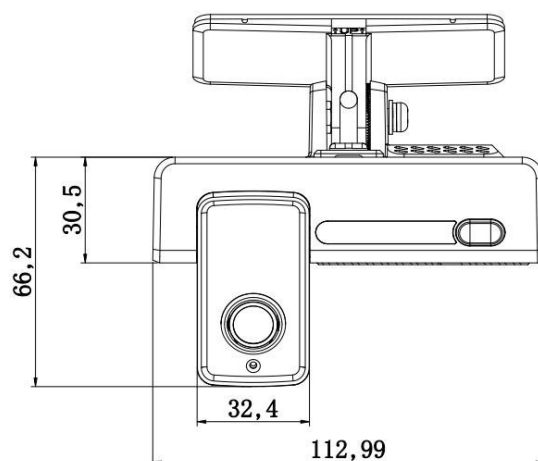
Certificaciones

Certification	Time
Emark	
CE-EMC	
FCC-ID	
PTCRB	
ROHS	
REACH	
EN50155	
AT&T	
Verizon	
CE-RED	
UKCA	

Dimensions (mm)



Left view



Front view