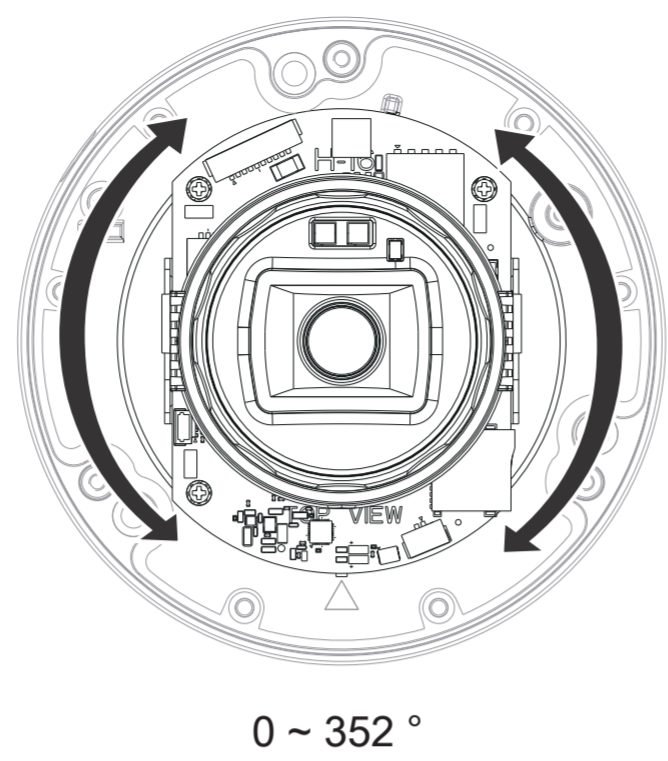
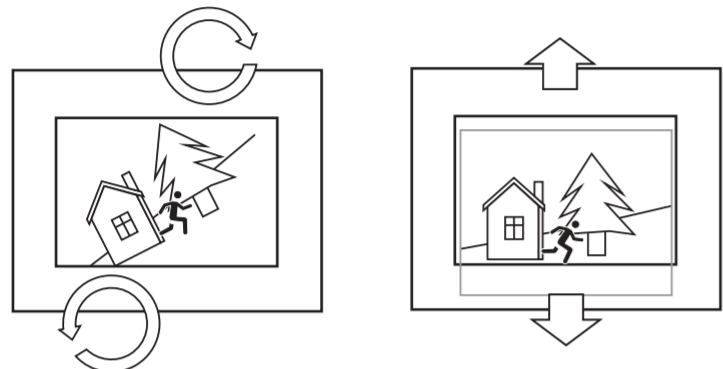
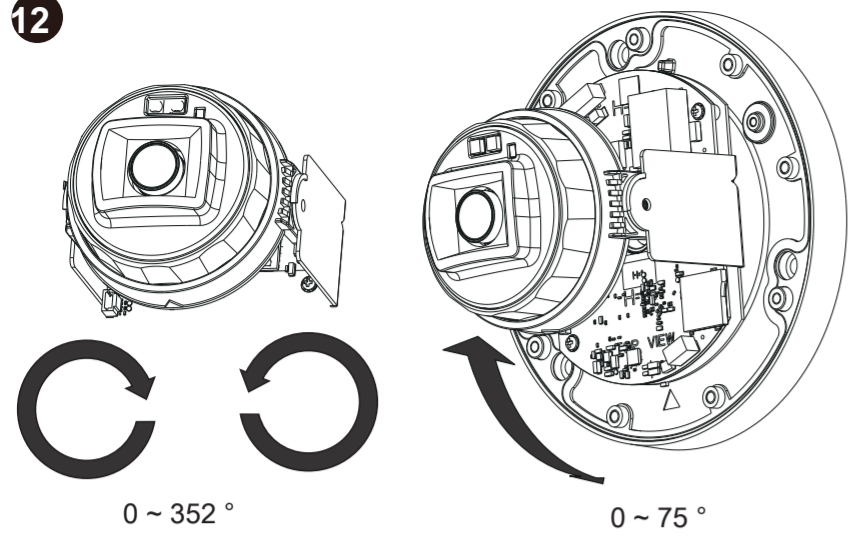
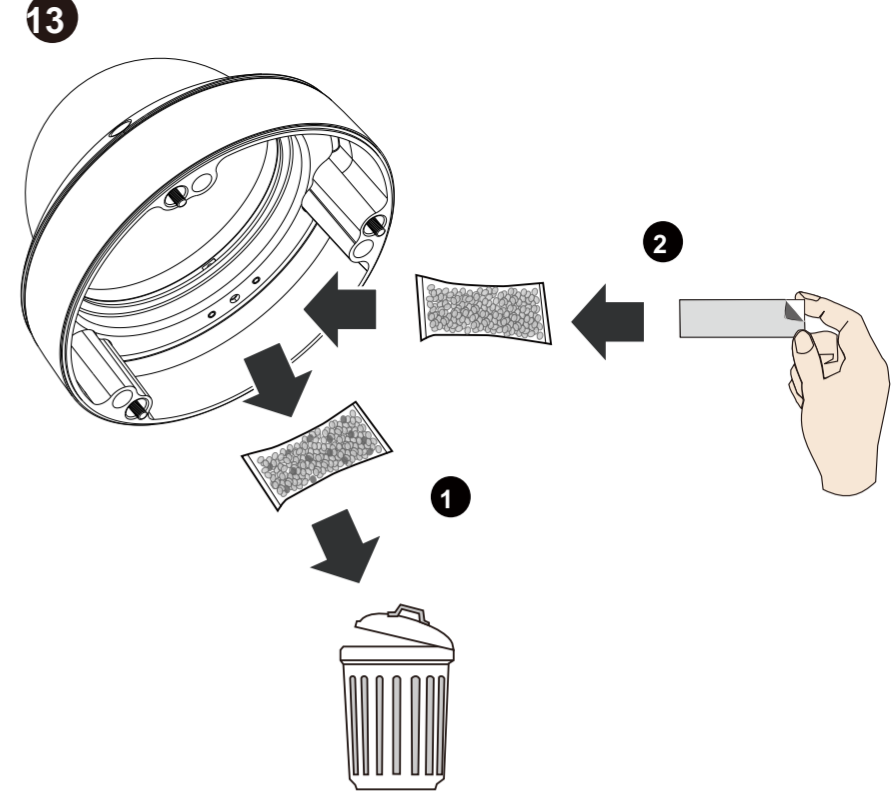


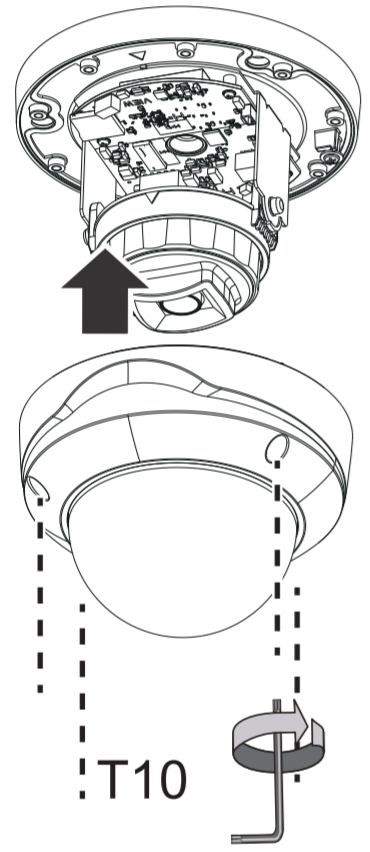
12



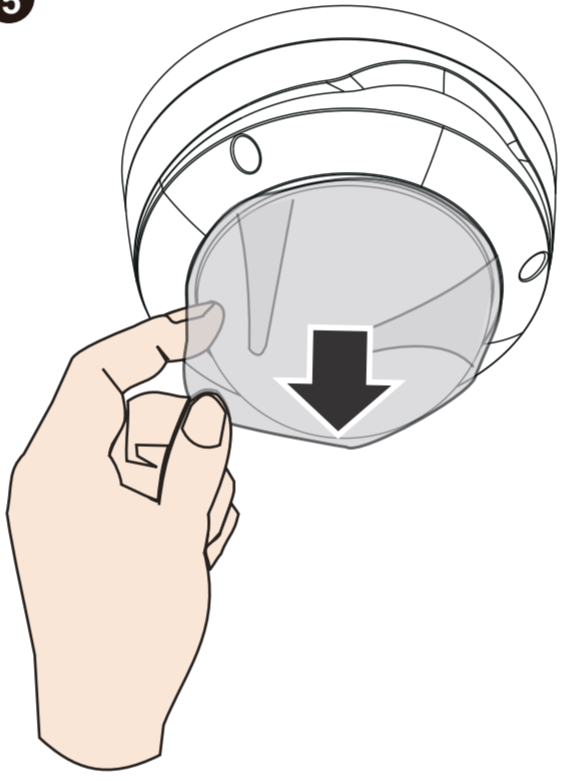
13



14



15



HARDWARE LIMITED WARRANTY

What Is Covered: This warranty covers any hardware defects in materials or workmanship, with the exceptions stated below.

How Long Coverage Lasts: This warranty lasts for TWENTY-FOUR MONTHS from the date of purchase by the original end-user customer.

What Is Not Covered: This warranty does not cover cosmetic damage or any other damage or defect caused by abuse, misuse, neglect, use in violation of instructions, repair by an unauthorized third party, or an act of God. Also, if serial numbers have been altered, defaced, or removed, Further, consequential and incidental damages are not recoverable under this warranty.

What VIVOTEK Will Do: VIVOTEK will, in our sole discretion, repair or replace any product that proves to be defective in material or workmanship. Any repair or replaced part of the product will receive a THREE-MONTH warranty extension.

How To Get Service: Contact our authorized distributors in your region. Please check our website (www.vivotek.com) for the information of an authorized distributor near you.

Your Rights: SOME STATES DO NOT ALLOW EXCLUSION OR LIMITATION OF CONSEQUENTIAL OR INCIDENTAL DAMAGES, SO THE ABOVE EXCLUSION OR LIMITATION MAY NOT APPLY TO YOU. THIS WARRANTY GIVES YOU SPECIFIC LEGAL RIGHTS, AND YOU MAY ALSO HAVE OTHER RIGHTS WHICH VARY FROM STATE TO STATE.

VIVOTEK INC.
6F, No. 192, Lien-Cheng Rd., Chung-Ho,
Taipei County, Taiwan.
www.vivotek.com

1. Proof of the date of purchase is required. In the event you can not render such document, warranty will commence from the date of manufacture.
2. Cosmetic damage will only be covered by this warranty if such damage has been existed at the time of purchase.

Todas las especificaciones están sujetas a cambios sin ruido.
Copyright © 2019 VIVOTEK INC. Todos los derechos reservados.

VIVOTEK INC.
6F, No. 192, Lien-Cheng Rd., Chung-Ho, Nueva ciudad de Taipei, 235, Taiwan, República de China
/ T + 886 2 82455282 / F + 886 2 82455532 / sales@vivotek.com

VIVOTEK Europe
Randstad 22-133, 1316BW Almere, Países Bajos
T + 31 (0) 36 5298 424 / sales@vivotek.com

VIVOTEK USA, INC.
2090 Ringwood Avenue, San José, CA 95131
/ T + 408 773 8886 / F + 408 773 8298 / sales@vivotek.com