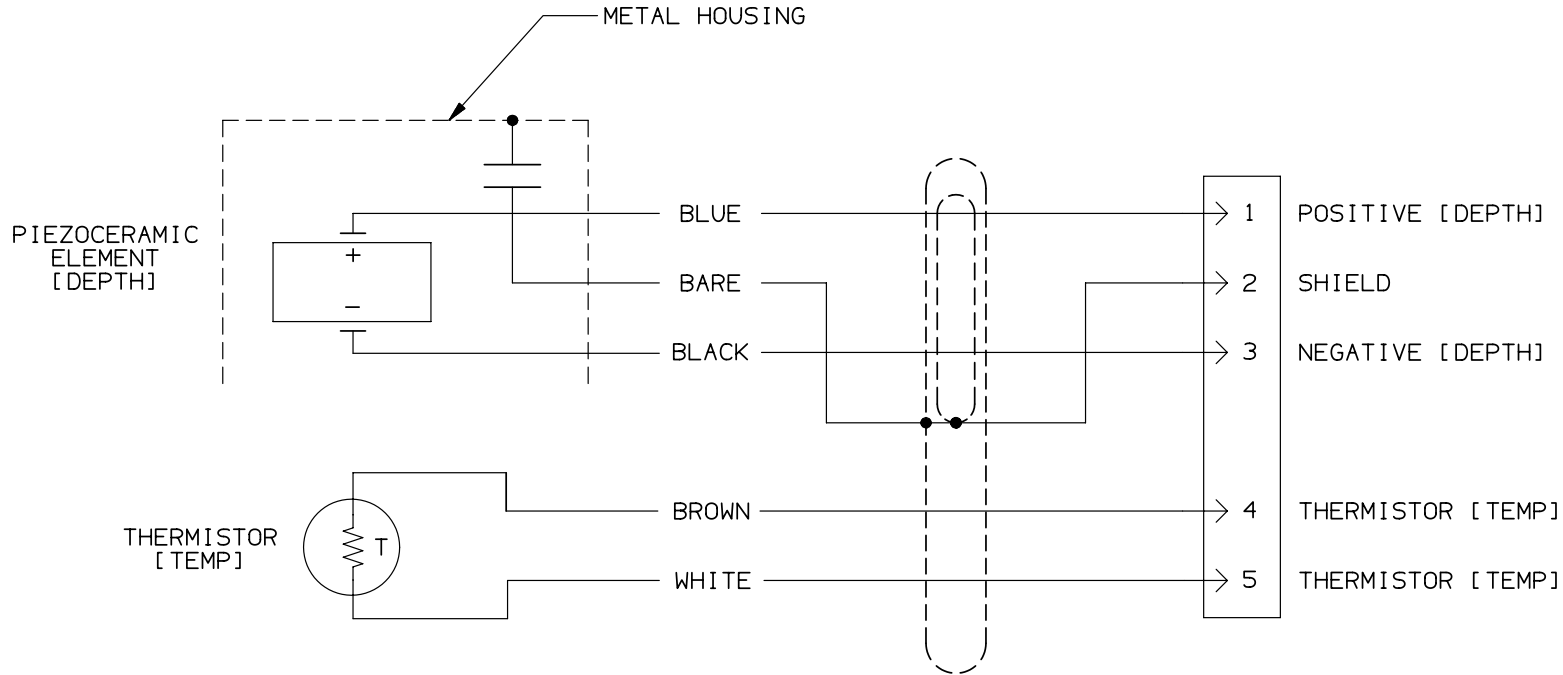
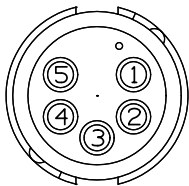


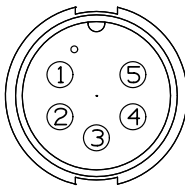
THIRD ANGLE PROJECTION		REVISIONS			
REV	DESCRIPTION	ECO NO	DATE	CHG/CHK	
01	RELEASE TO PRODUCTION	04E0471	09/02/04	SFH/ATB	



SOLDER LUG VIEW



CONTACT END VIEW



5 PIN MALE CONNECTOR

NOTE: GREEN AND RED WIRES ARE CUT OFF AT BOTH ENDS.

UNLESS OTHERWISE SPECIFIED DIMENSIONS ARE IN INCHES TOLERANCES ON 2 PL DECIMALS ±0.02 3 PL DECIMALS ±0.005 ANGLES ± 1/2° FRACTIONS ± 1/32 MIN. SURFACE FINISH $\sqrt{32}$	SIGNATURE	DATE	<b>AIRMAR</b> AIRMAR TECHNOLOGY CORPORATION 35 HEADSBROOK DR MILFORD NH 03055-4613 USA TEL: 603-673-9570 FAX: 603-673-4624
	DRAWN C. ANDREWS	02/16/04	
	CHECKED J. JEFFERS	03/01/04	
MATERIAL	AIRMAR CABLE #06-047 AIRMAR CONNECTOR #05-103-5		TITLE WIRING, DEPTH, TEMP, C47, WITH 5 PIN MALE AIRMAR CONNECTOR
	SIZE	SCALE: NONE	NUMBER
	B	SHEET 1 OF 1	91-674 REV 01