

Parabolic antenna JRMB - 900 - 6 MIMO

Dual-polarized parabolic antenna JRMB – 900 – 6 MIMO is designed for microwave links at the 6 GHz frequency band. It has a deep reflector dish and a massive holder.

Technical parameters:

Frequency range	5.9 – 6.6 GHz
Gain – Low band	32.3 ± 0.6 dBi
Beamwidth_{-3 dB}	3.4°
Electrical Compliance	ETSI EN 302-217-4-2 class 2
Polarization	linear, horizontal and vertical
Isolation between connectors	≥ 30 dB
VSWR	< 1.5
Type of connectors	R-SMA
Parabola	∅ 90 cm, aluminium alloy
Cover	UV steady plastic ABS
Installation on mast	∅ 40 - 120 mm
Weight of antenna	8.3 kg (18.3 lbs.)
of holder	4.3 kg (9.48 lbs.)
Operating wind load	140 km/h
Survival wind load	210 km/h

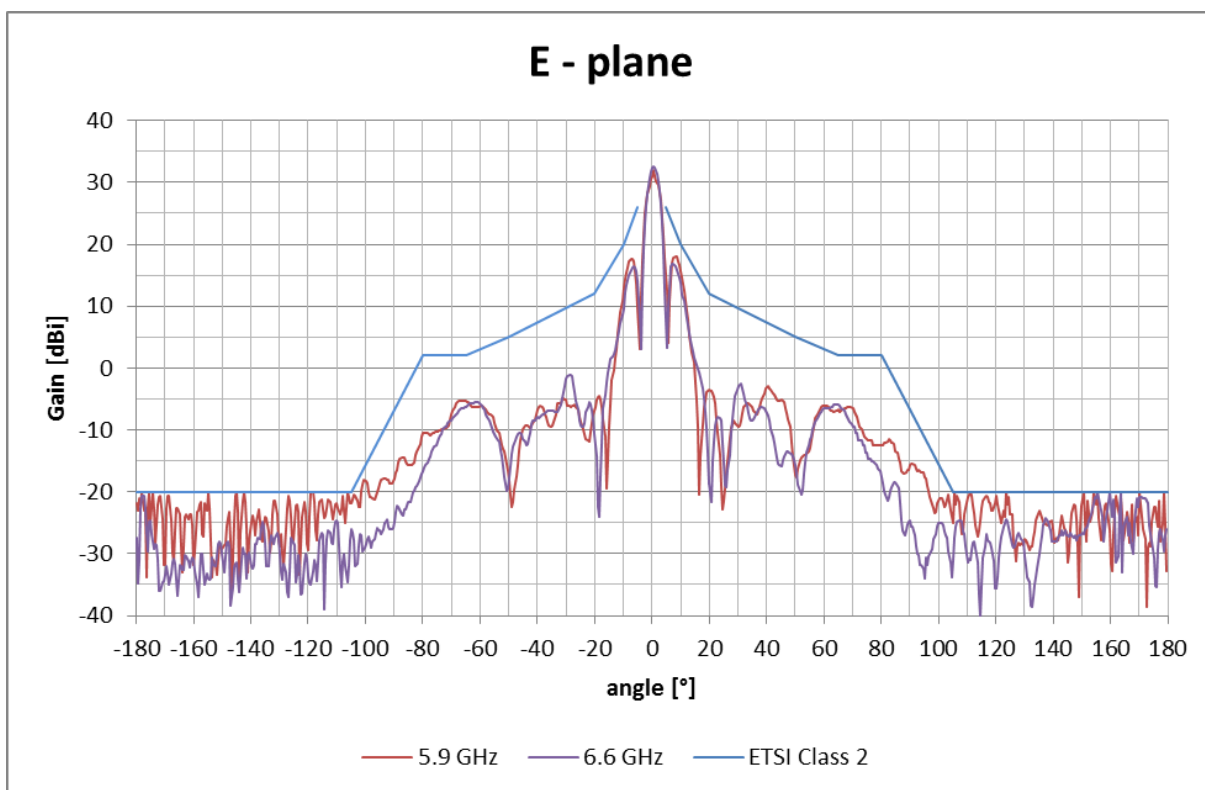
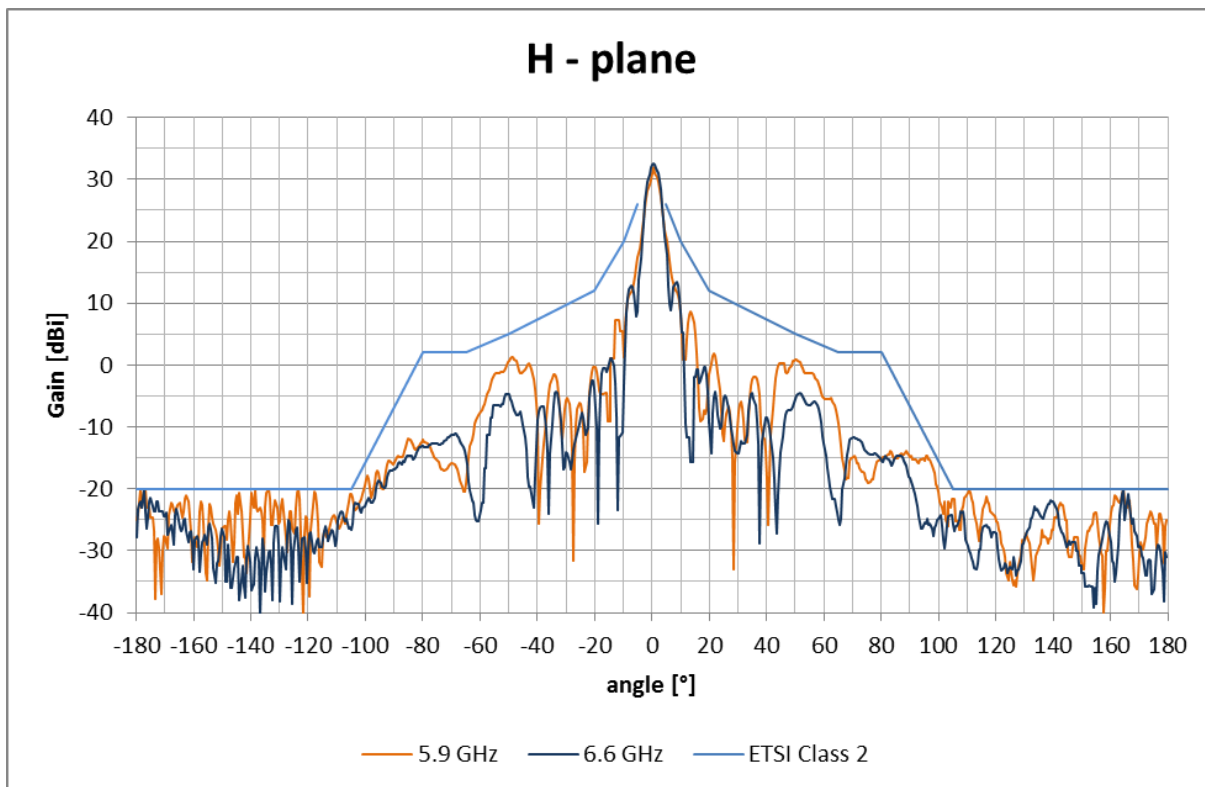
Usage:

- deep parabola for better electrical parameters
- **easy to assembly:** first the holder and then the antenna only by 2 screws
- **fine setting** elevation (of gradient) and azimuth ± 20°
- extreme wind stability

The antenna is supplied together with a holder that allows easy mounting on a mast. Holder can be installed separately on the mast. Subsequently, you can simply hang up the antenna with microwave unit into it. Holder allows precise adjustment in both directions. Mounting to the right or left side is possible.

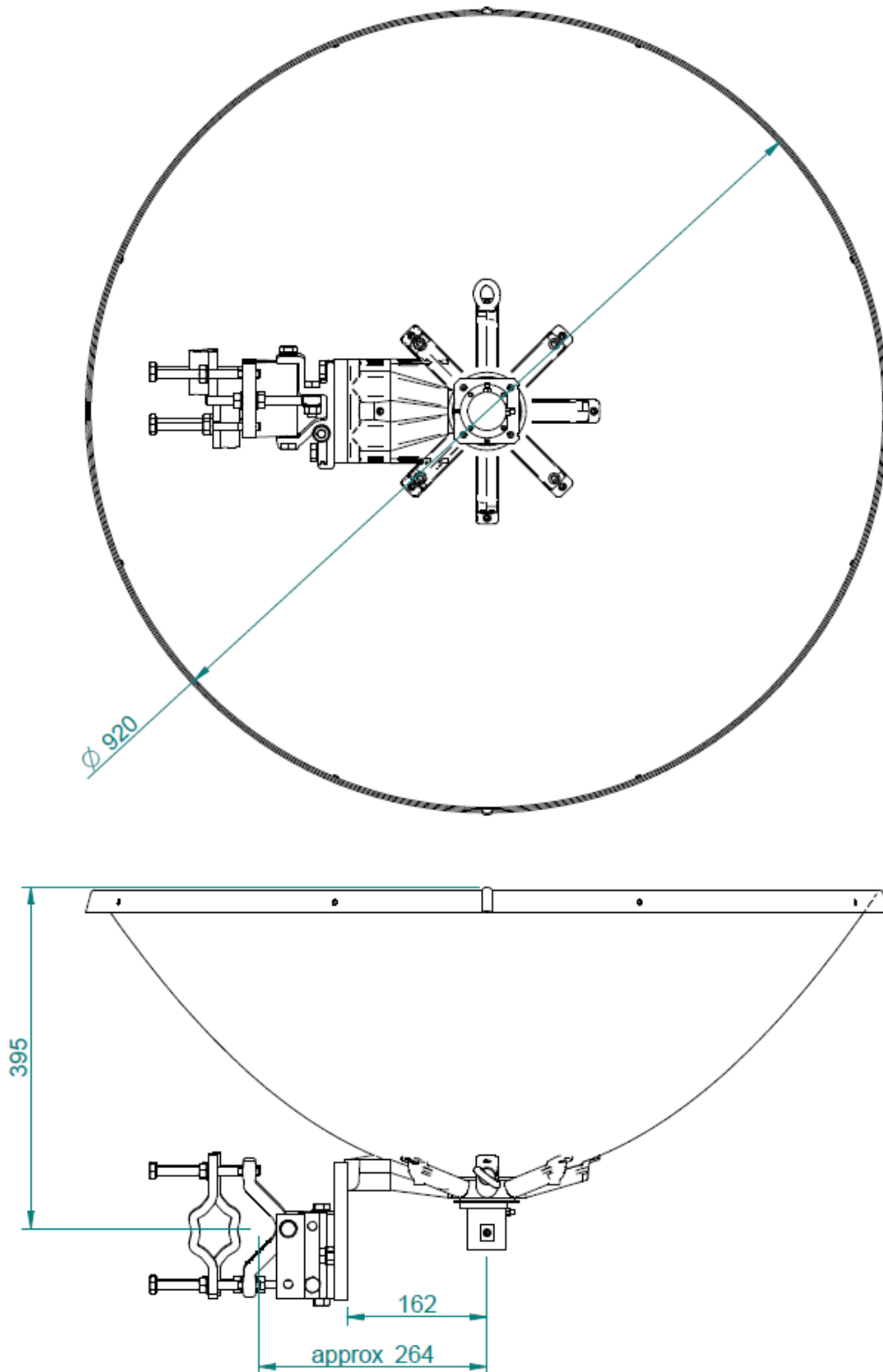
Parabolic antenna JRMB - 900 - 6 MIMO

Measurement of radiation pattern:



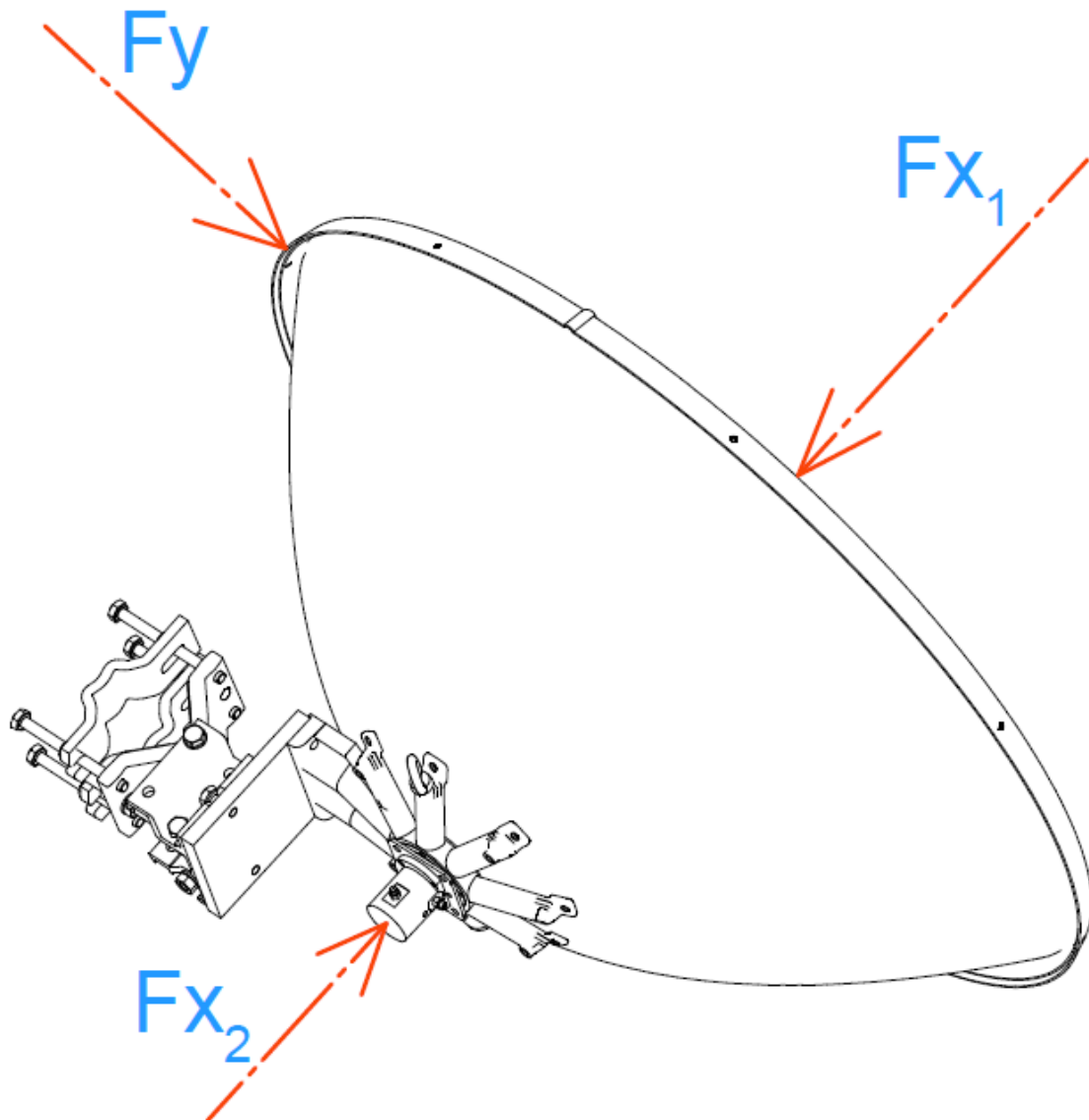
Parabolic antenna JRMB - 900 - 6 MIMO

Outline:



Parabolic antenna JRMB - 900 - 6 MIMO

Wind loading:



Wind Loading 200km/h (125 mph)		
Direction	Force [N]	Force [lbf]
Fx1	1443	325
Fx2	1324	298
Fy	91	21