

Parabolic antenna JRC-35DD Duplex Precision

Dual-polarized parabolic antenna **JRC-35DD Duplex Precision** is designed for directional links with **full-duplex mode** or MIMO mode at the frequency band 5 GHz with high isolation level. The antenna is designed for long distances. **Its design with deep dish increases isolation among antennas on a mast increases front to back ratio.**

Electrical parameters:

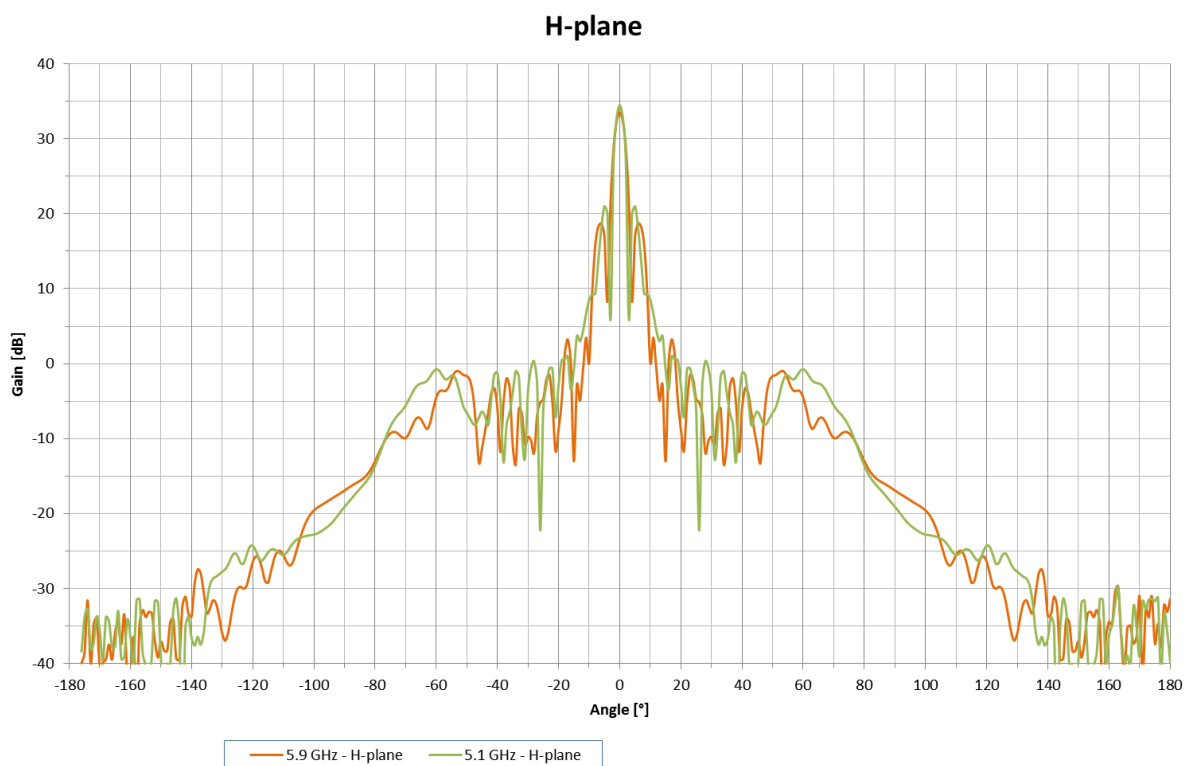
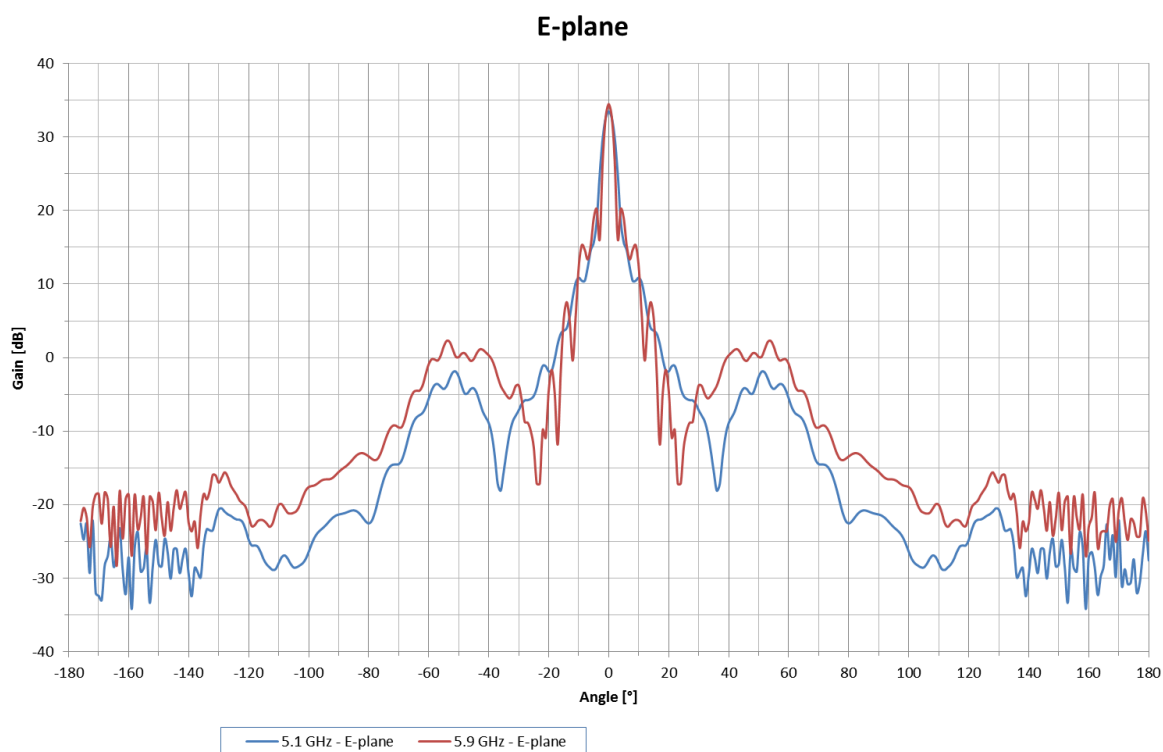
Frequency range	4.9 – 6.1 GHz
Gain	35 ± 1 dBi
VSWR 5.1 – 5.9 GHz	≤ 1.4
Beamwidth -3 dB	3.1°
Port to port isolation 5.1 – 5.9 GHz	≥ 50 dB (typ. 53 dB) (rest of the freq. range ≥ 43 dB)
Front to Back ratio	≥ 53 dB
Polarization	Linear, vertical/horizontal or 45°

Mechanical parameters:

Parabola	Ø 1200 mm, Aluminium alloy
Radome	UV steady plastic ABS
Type of connector	N-female, R-SMA
Installation for mast	Ø 80 - 120 mm Ø 60 - 80 mm with adjustable wind bracing set
Operating wind load	110 km/h (68 mph) without wind bracing set 140 km/h (87 mph) with wind bracing set
Survival wind load	210 km/h (131 mph)
Weight of antenna	38.7 kg (85.3 lbs.)
of holder	14.9 kg (32.9 lbs.)
Shipping dimensions – 1pc	1310 x 740 x 1440 mm/70.3 kg (155 lbs.)
Shipping dimensions – 2pcs	1310 x 1100 x 1440 mm/109 kg (240 lbs.)

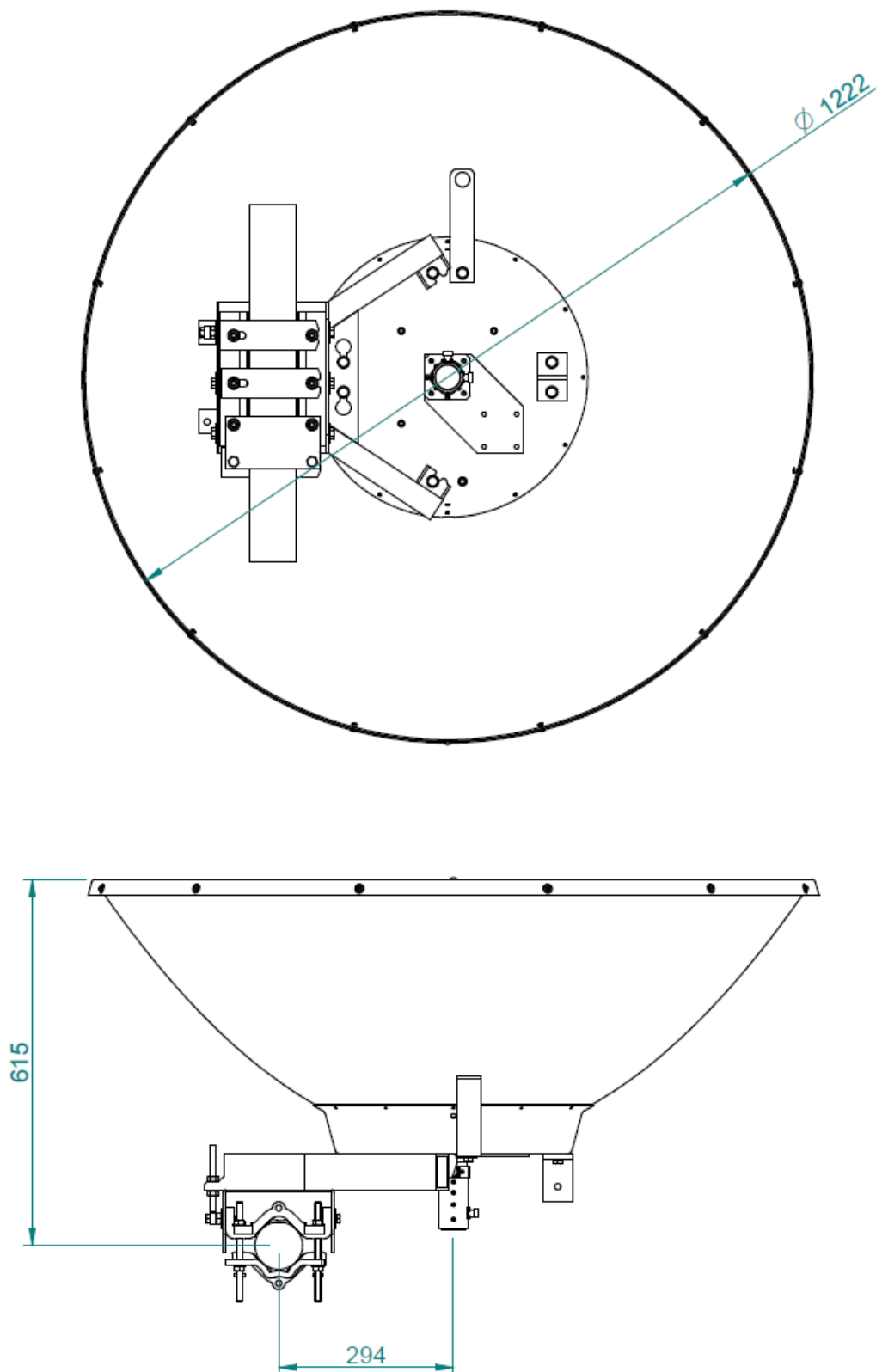
Parabolic antenna JRC-35DD Duplex Precision

Simulation of radiation pattern:



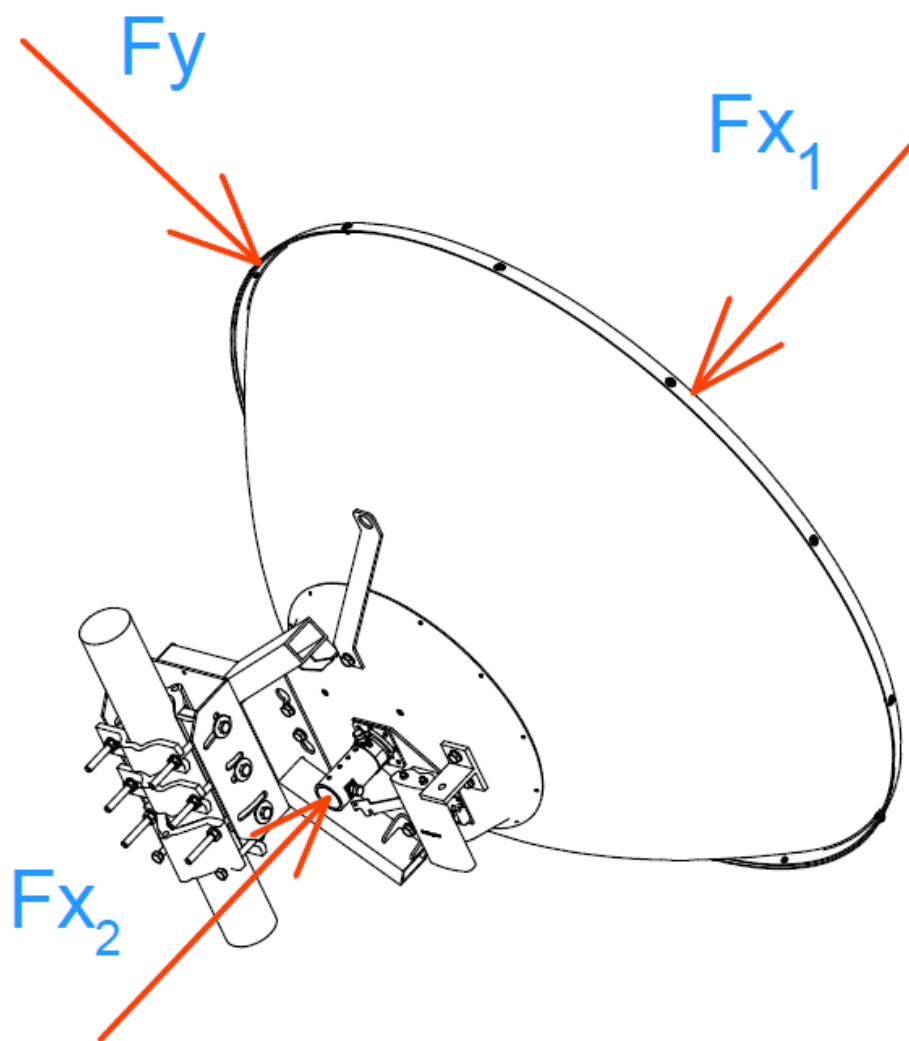
Parabolic antenna JRC-35DD Duplex Precision

Outline:



Parabolic antenna JRC-35DD Duplex Precision

Wind loading:



Wind Loading at 250 km/h (125 mph)		
Direction	Force [N]	Force [lbf]
Fx1	2696	606
Fx2	2186	491.4
Fy	247	54.1