

AX-E120LSOT

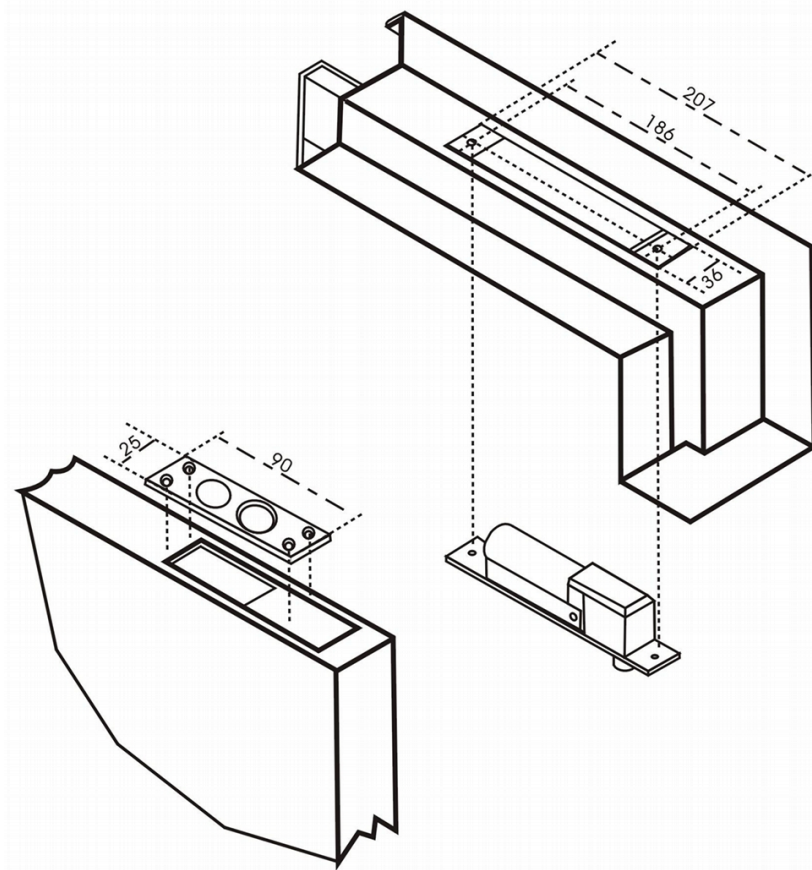
Fail Safe Electric Bolt with LED

► Parameters

low temperature standard electric bolt

1. Specification:
standard voltage:12VDC 1A
Red---Positive (+) Black---negatne (-)
voltage:start 950mA. Standby 100mA.
solenoid:super low temperatuer continuous duty.
fail safe:locked when energized, power to locked ,fail unlocked.
protecting designed:
Bolt dimension :16mm DIA ,stainless steel :16mm throw.
cutout :207mm(L)x36mm(W)(40mm back set minimum must be present)
cover plate :215mm(L)x41mm(W)x0.5mm(D).
face plate :205mm(L)x35mm(W)x3mm(D).
2. Signal statue:
door status sensor: indicates the door is open or closed .
white wire :NC normally close.
note :the signal current/voltage through recon enginery can not exceed
0.5AMP ,30VAC/DC.

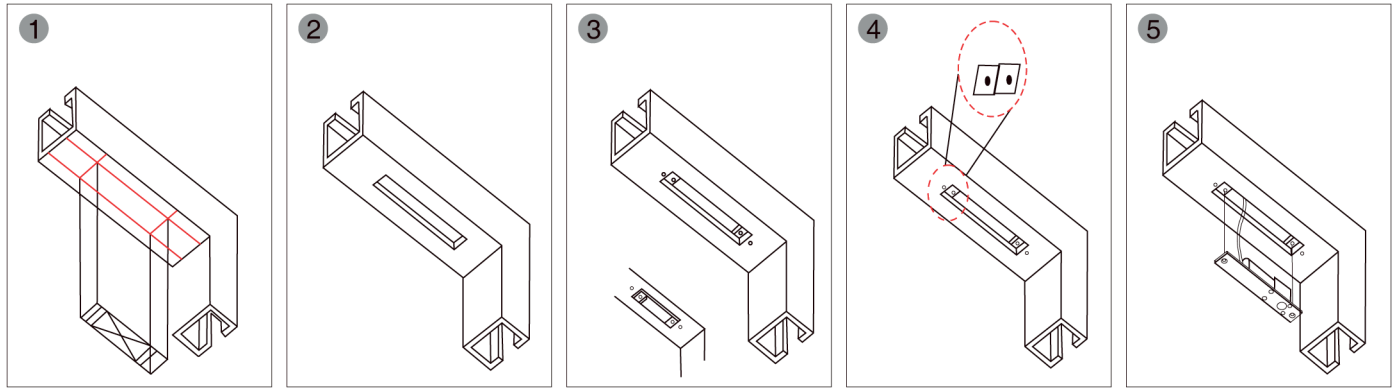
► Dimensions



The excellence of our electric bolt

1. excellent designed ,solid and durable ,100% safe.
2. up to date design ,super low use, continuously work.
3. low temperature design;more safe, credible,durable.
4. professional electrical locks, exellent manufaceure.
5. authoritative attestation: MA, CE
6. high grade material, exquisite producing ,varranty :2 years.
7. prodolcts are popular in the world ,and cooperate with great manufactures.

► Installation



1 Place lock body template to match with door frame center line

2 Cut hole

3 Fix mounting plate (For hollow metal frame)

4 Connect wires

5 Mount lock body on the door frame and test

► Installation Schematic



► Wiring Diagram

