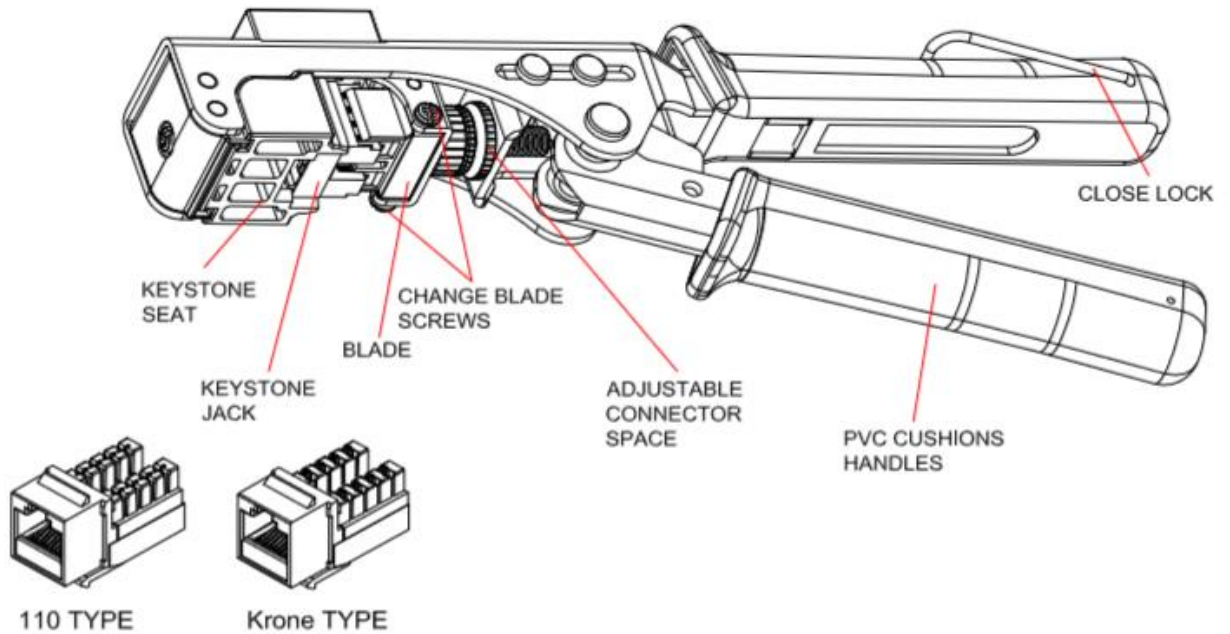


MODELO	EPRO-JACKTOOL
DESCRIPCION	PONCHADORA DE JACKS ENSON EPRO-JACKTOOL ESPECIAL PARA JACKS EPRO-JACK



Specification

Easily : to chang the Blade

Length : 8.6" (218+/-3mm)

Weight : 380 g

Material : Body Are Made Of Carbon Steel

Blade Are Made Of Alloy Steel

Finished : Block Oxide Finished