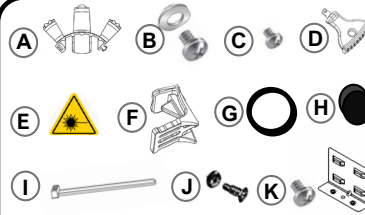
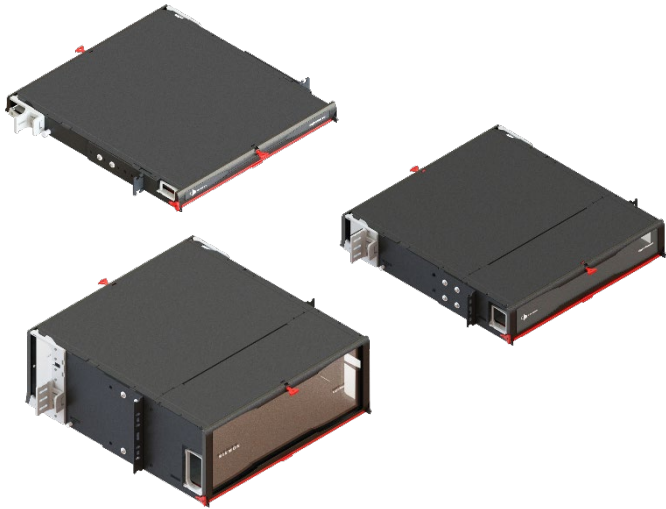
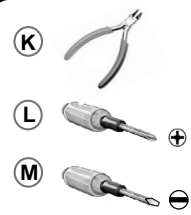


LightVerse® Pro Enclosure Installation Instructions



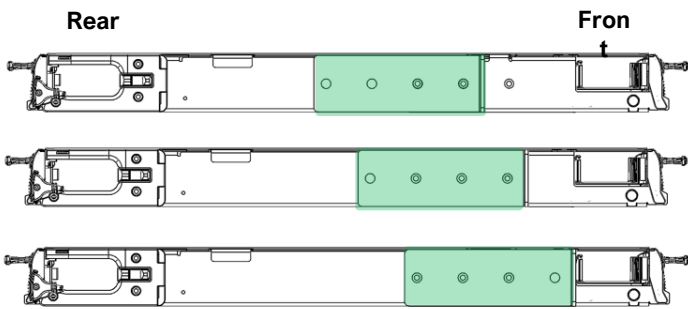
Hardware and Accessories

- A. Fiber Managers (8)
- B. Mounting Bracket screws and washers, 1U (4) 2U and 4U (8)
- C. Rear tray restrictor screw (1)
- D. Tamper resistant latch keys (2)
- E. Laser warning labels (2)
- F. Rear guided fiber management bracket (1)
- G. Roll of Velcro straps (1)
- H. Velcro dots (2)
- I. Tie wraps (2 with the 1U, 4 with the 2U and 4U)
- J. Rack 12-24 screws & washers (4)
- K. Rear cable plate and screw (1)



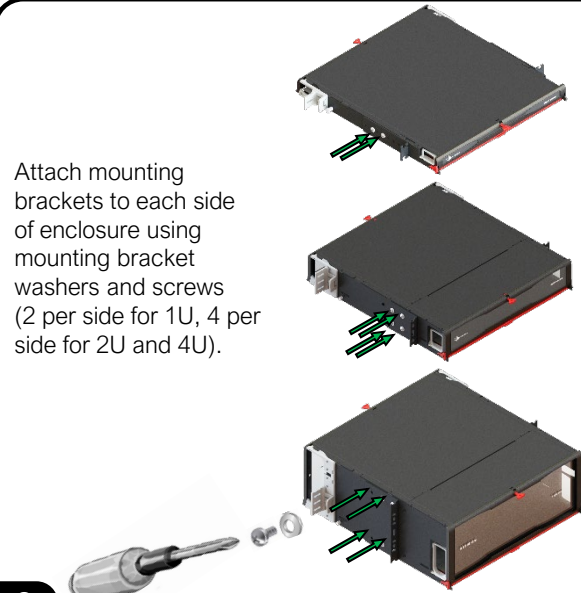
Tools

- K. Diagonal cutter
- L. Philips head screwdriver
- M. Flat head screwdriver



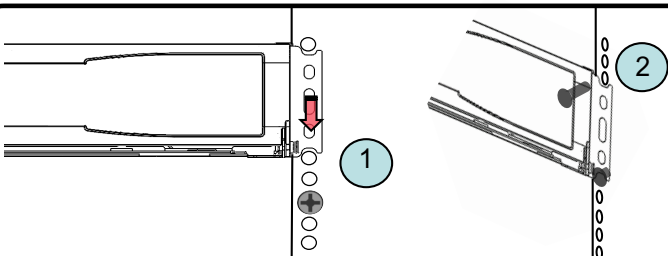
The mounting brackets can be mounted in three positions to provide different position placement in the mounting rails of a cabinet or rack.

1



Attach mounting brackets to each side of enclosure using mounting bracket washers and screws (2 per side for 1U, 4 per side for 2U and 4U).

2

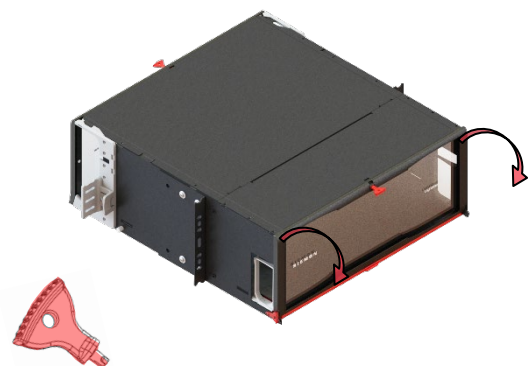


The open hole design of the rack mounting brackets can be utilized to allow for easier mounting. 1. Screw in mounting screws at desired height for bottom of the enclosure in the rack. The enclosure can then be lowered down onto the partially installed screw, tighten screws. 2. While the enclosure is held in place by the lower screws, the top screws can then be used to secure it.

Mount enclosure to rack or cabinet rails using the included #12-24 screws with washers.



3

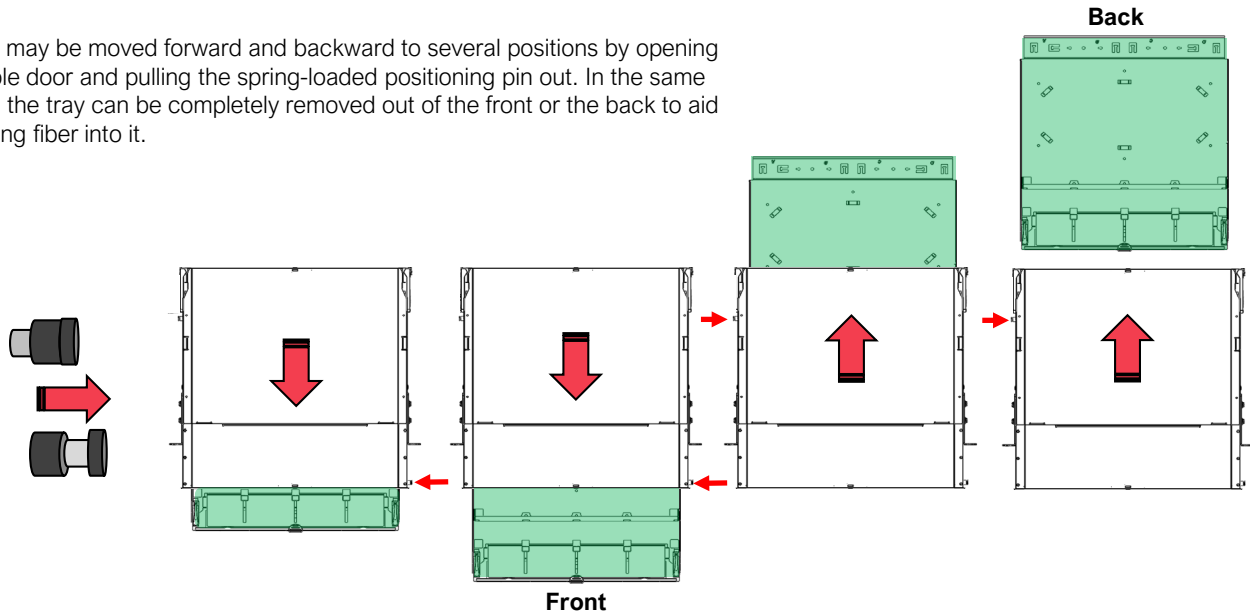


To open the doors, ensure the tamper resistant latch is not engaged (if engaged, utilize key and unlock) and grab from either side or the top.

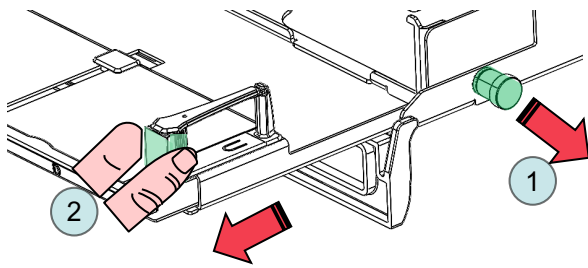
4

LightVerse® Pro Enclosure Installation Instructions

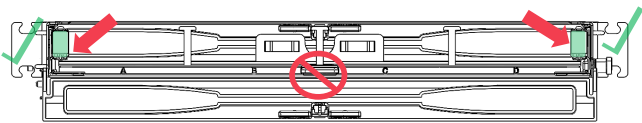
The tray may be moved forward and backward to several positions by opening applicable door and pulling the spring-loaded positioning pin out. In the same manner, the tray can be completely removed out of the front or the back to dress fiber into it.



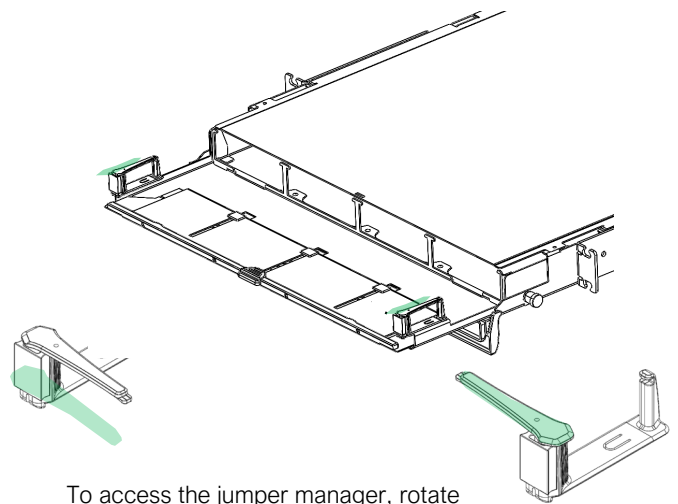
5



To slide the tray to the forward jumper access position, 1. pull side plunger out while 2. pulling the management feature(s) forward as shown (Do NOT use label holder). Release the plunger as pulling forward to allow for the tray to stop at the next position.

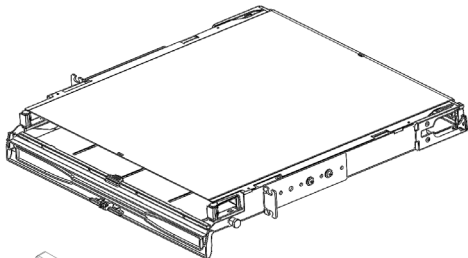


6



To access the jumper manager, rotate the manager latch left or right.

7

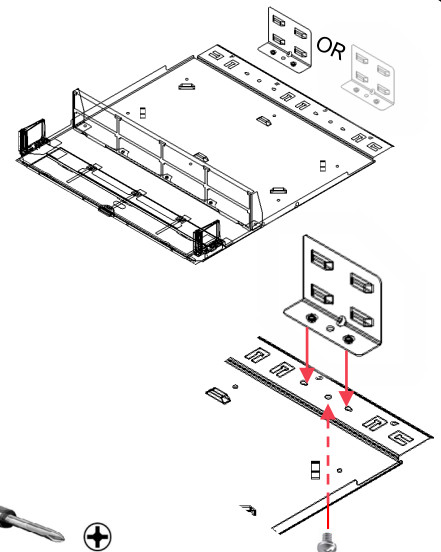


The front and rear doors can be removed by pressing the hinge points out as shown. To re-attach the doors, reverse the process.

8

Rear internal cable securing plate can be used on either left or right side. Mount on the side opposite of where the cable enters the enclosure.

Rear internal cable securing plate secures using key and post features in the bottom of the plate and the tray. A securing screw is screwed in from the bottom of the tray to lock it into position.



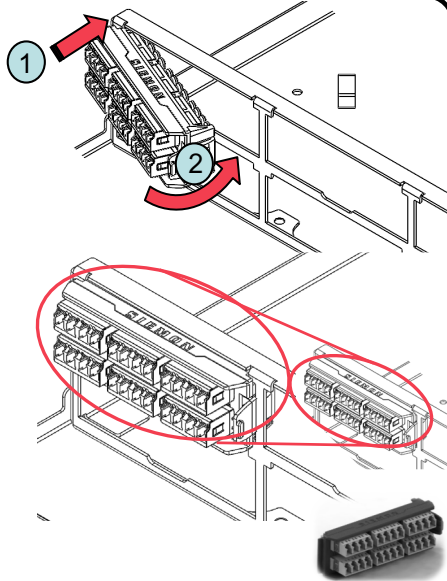
9

LightVerse® Pro Enclosure Installation Instructions

To insert the adapter plate, ensure that the SIEMON logo is facing up as shown

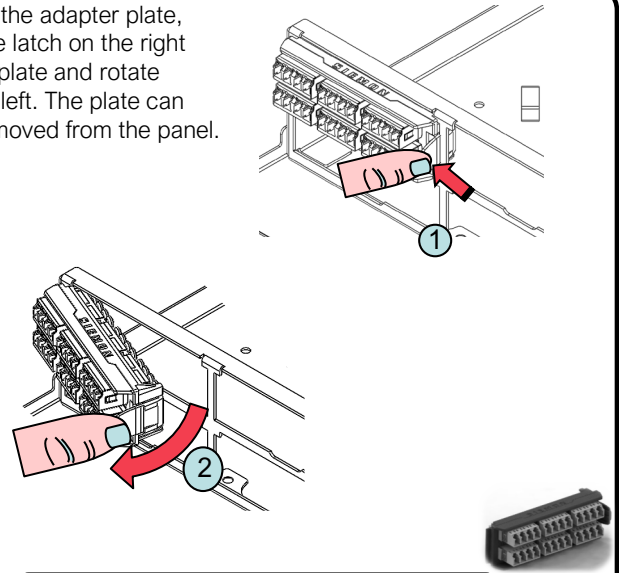
1. Insert the tab on the left side of the plate into the panel.

2. Rotate the latching side into the panel until it snaps into place.



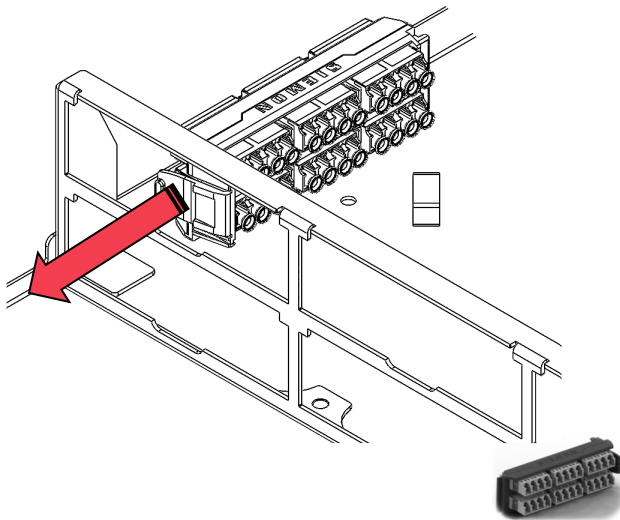
10 LightVerse Adapter Plates

To remove the adapter plate, depress the latch on the right side of the plate and rotate toward the left. The plate can then be removed from the panel.



11 LightVerse Adapter Plates

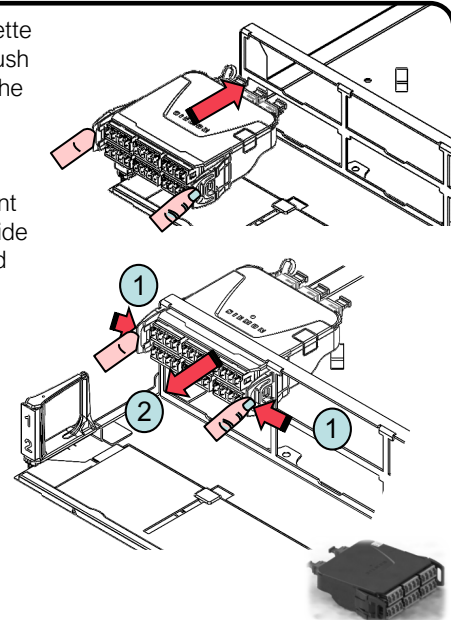
Adapter plates can pass forward or backward through the openings in the panel as shown.



12 LightVerse Adapter Plates

To insert the module or cassette from the front of the panel, push it inward while compressing the front of the release tabs until locked into position.

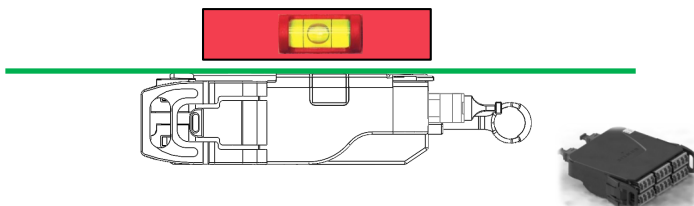
To remove, compress the front of the release tabs on each side of the module or cassette and pull forward.



13 Plug and Play Modules & Splice Cassettes

Ensure that only the front of the release tabs are depressed as the cassette is inserted or removed from the front.

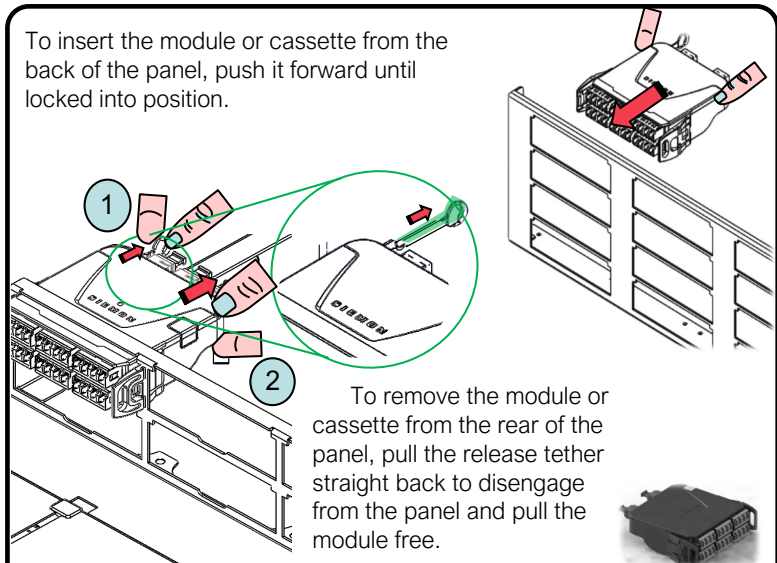
Ensure that the cassette is level while being inserted.



14 Plug and Play Modules & Splice Cassettes

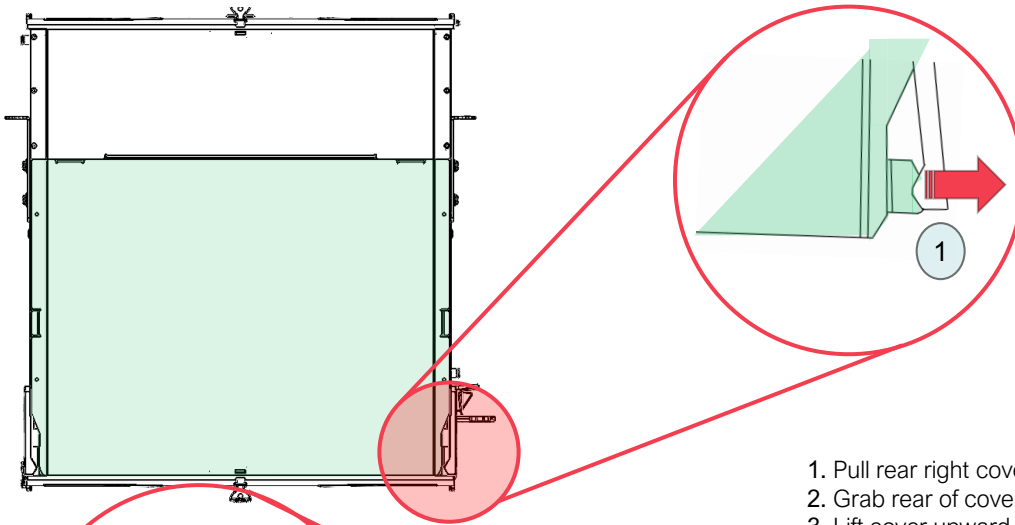
To insert the module or cassette from the back of the panel, push it forward until locked into position.

To remove the module or cassette from the rear of the panel, pull the release tether straight back to disengage from the panel and pull the module free.

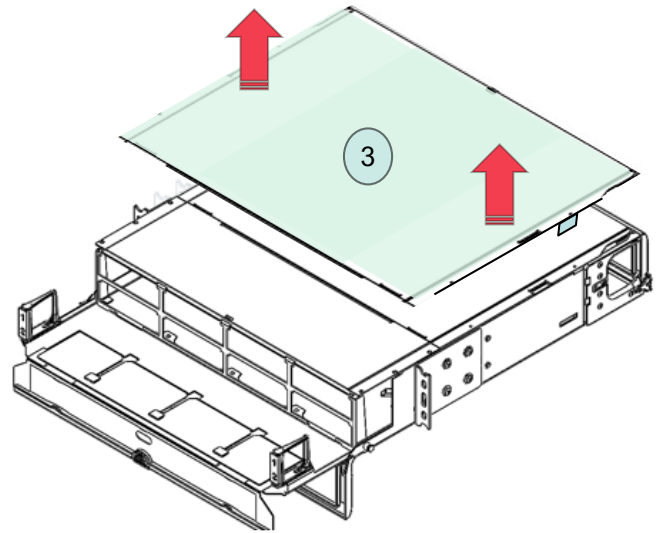
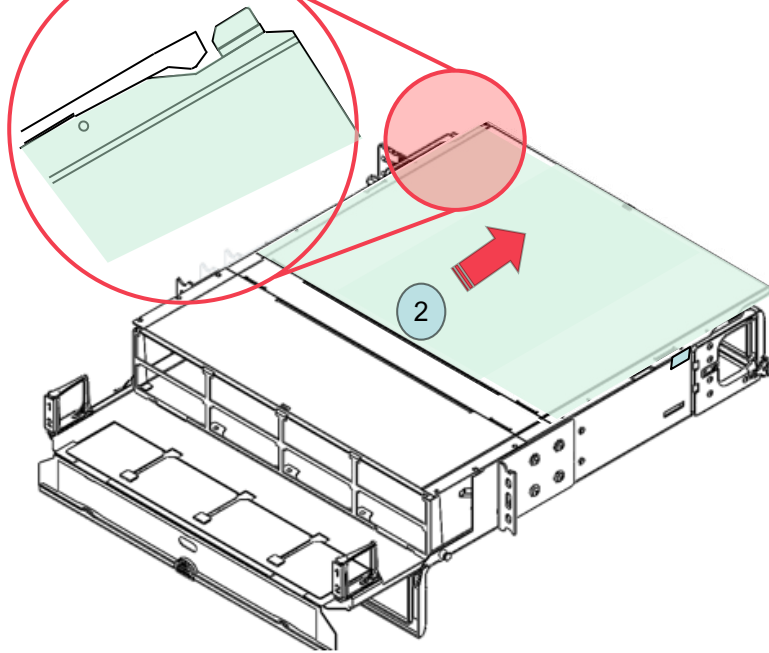


15 Plug and Play Modules & Splice Cassettes

LightVerse® Pro Enclosure Installation Instructions

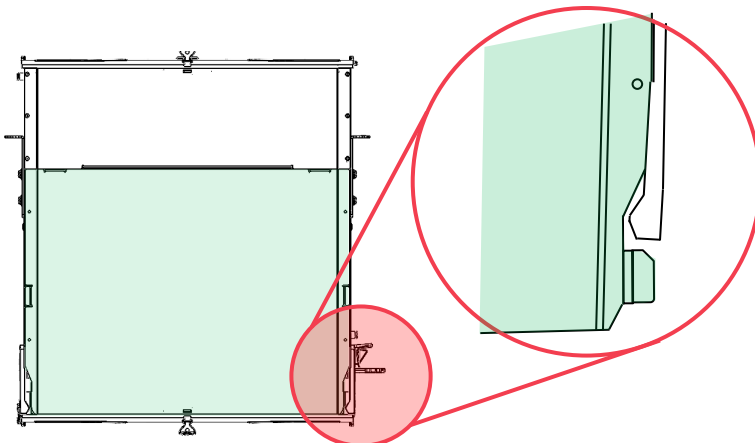


1. Pull rear right cover latch out to the side and hold in place.
2. Grab rear of cover and slide backwards 25mm (1 in.).
3. Lift cover upward and off.

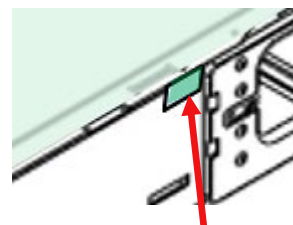


16 Enclosure Cover Removal (2U and 4U)

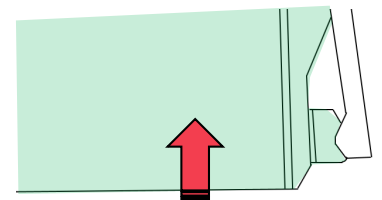
To re-install the cover, reverse the removal steps.



1. Lay cover on top of enclosure so that the right rear cover latch looks as shown above.



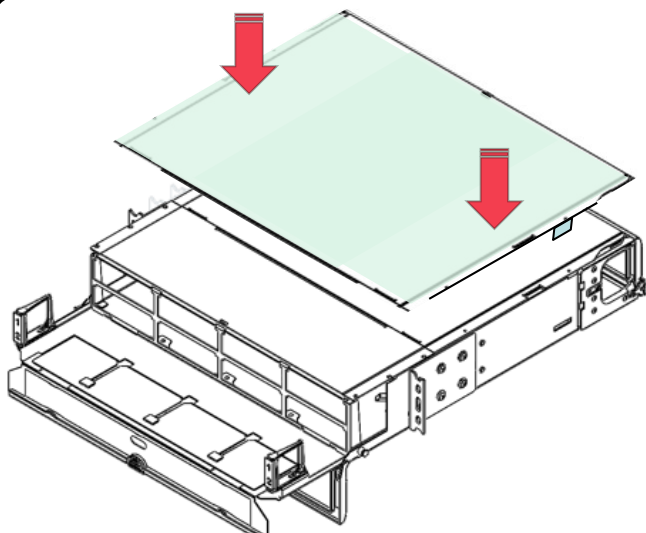
2. Side tabs on the rear of the left and right side of the cover should look as shown above.



3. With cover laying in position on top of enclosure, push forward with equal pressure on the left and right side of the cover until the cover latch locks the cover in place.

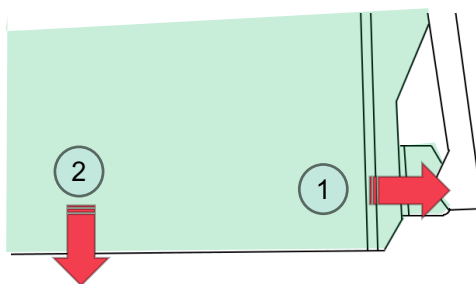
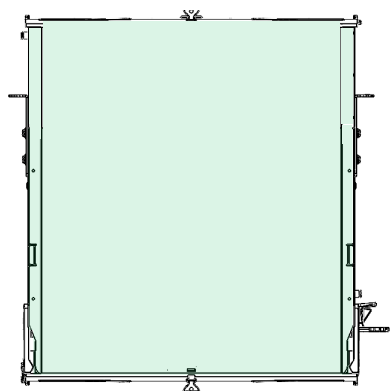
17 Enclosure Cover Installation (2U and 4U)

LightVerse® Pro Enclosure Installation Instructions

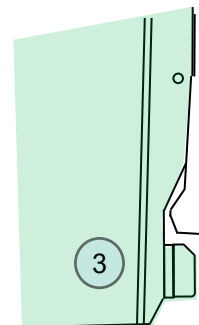


18

Enclosure Cover Installation (2U and 4U)



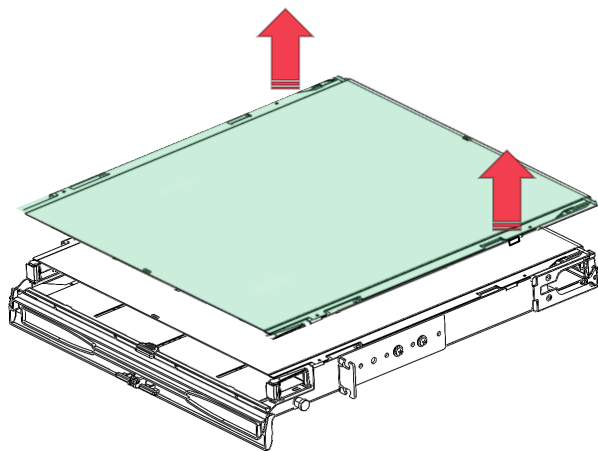
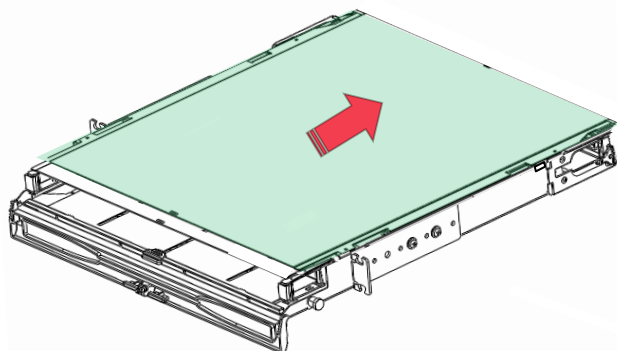
1. Pull rear right cover latch out to the side and hold in place.
2. Grab rear of cover and slide backwards 1 in.



3. Lift cover upward and off.

19

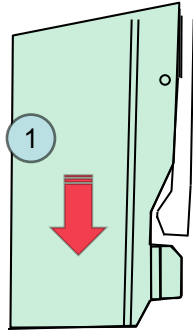
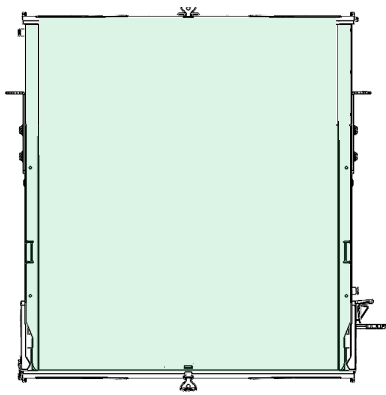
1U Enclosure (Top Cover Removal)



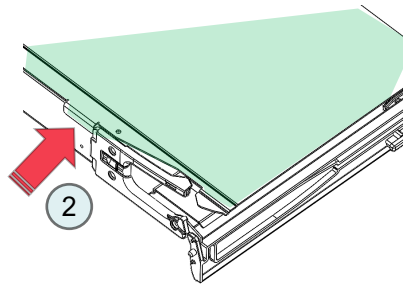
20

1U Enclosure (Top Cover Detached View)

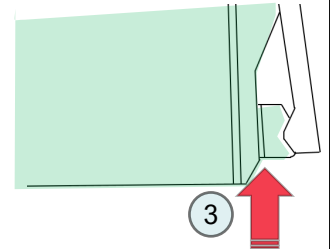
LightVerse® Pro Enclosure Installation Instructions



1. Lay cover on top of enclosure so that the right rear cover latch looks as shown above.



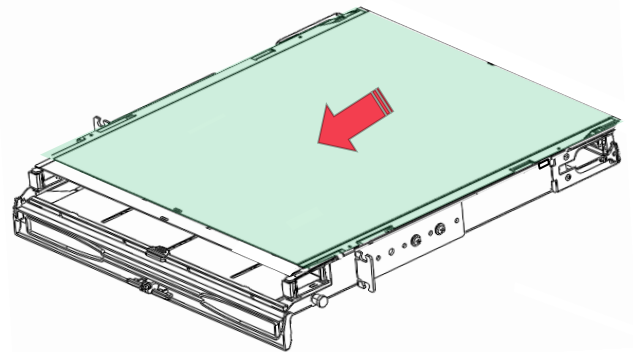
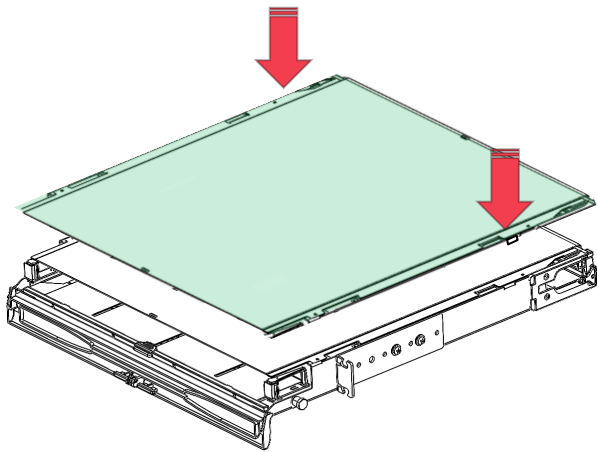
2. Side tabs on the rear of the cover should look as shown above.



3. With the cover laying in position on top of the enclosure, push forward with equal pressure on the left and right side of the cover until the cover latch locks the cover in place.

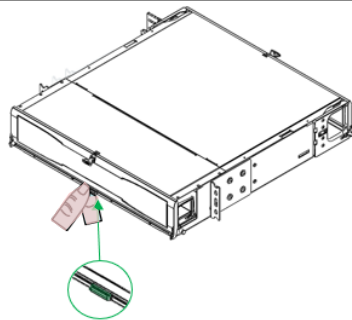
21

1U Enclosure Top Cover Re-Install



22

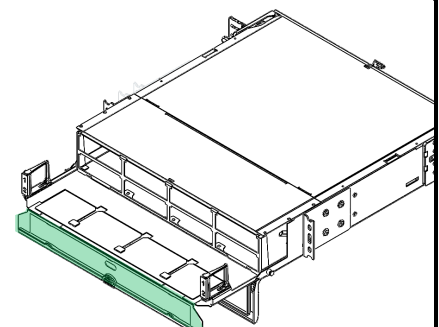
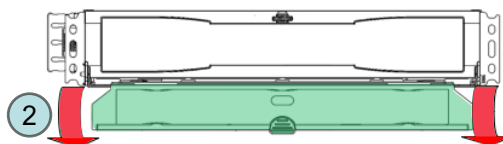
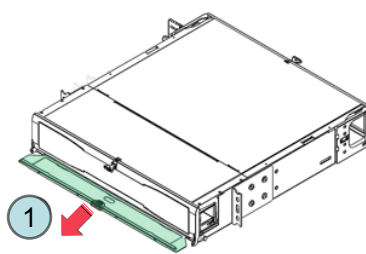
1U Enclosure (Top Cover Re-attach View)



To access the label holder:

1. Pull the center tab of the red label holder located under the front door as shown. Do NOT pull label holder out with door open.

2. Bend the label holder down to view

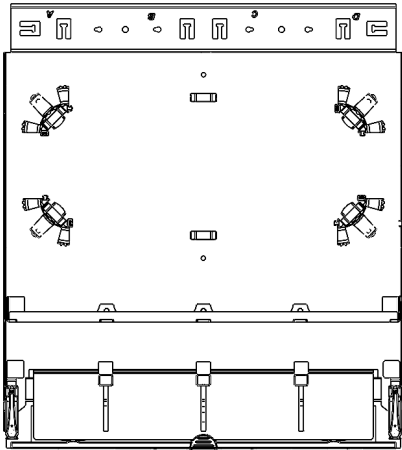


The label holder can also be accessed with the fiber tray pulled out to the jumper access position.

23

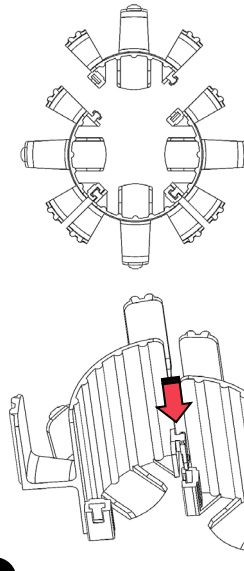
Enclosure (Label Holder Access)

LightVerse® Pro Enclosure Installation Instructions



The internal tray can be completely removed from the front or rear of the enclosure.

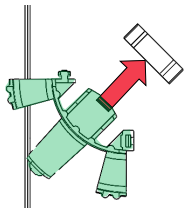
24



Quarter round fiber managers can be used to create 4 individual corners (as shown in Step 26), 2 half circles or 1 complete circle ring (shown below).

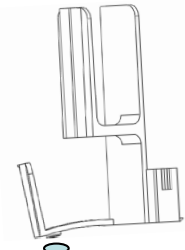
Note: With Plug and Play modules and splice cassettes, not all fiber management positions will be usable.

25



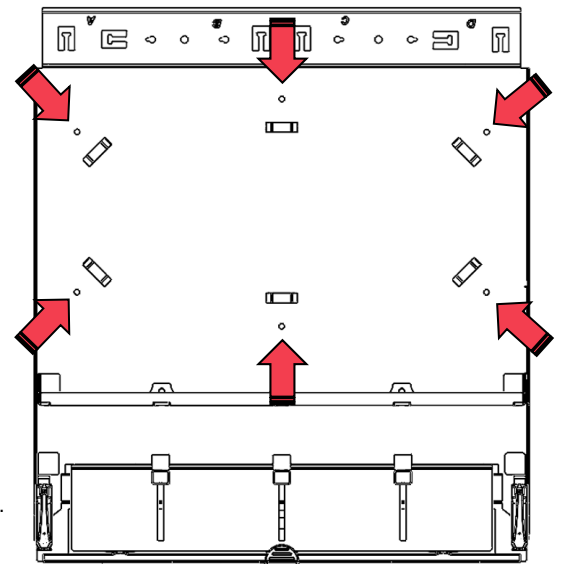
Quarter round fiber managers lock into position on the internal tray by sliding the tab under the lances until the lock pin engages into the hole in the tray.

To remove: 1. lift bottom manager and 2. slide out.



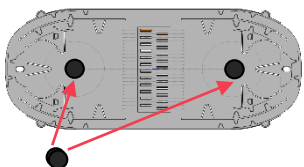
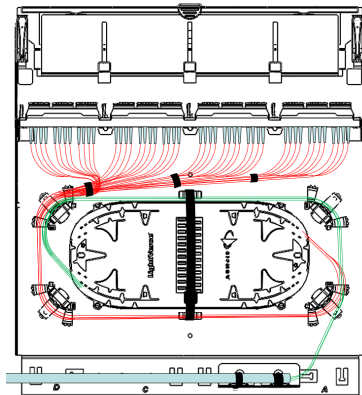
Quarter round fiber managers lance positions shown.

Note: The center positions should not be used if using splice trays.



26

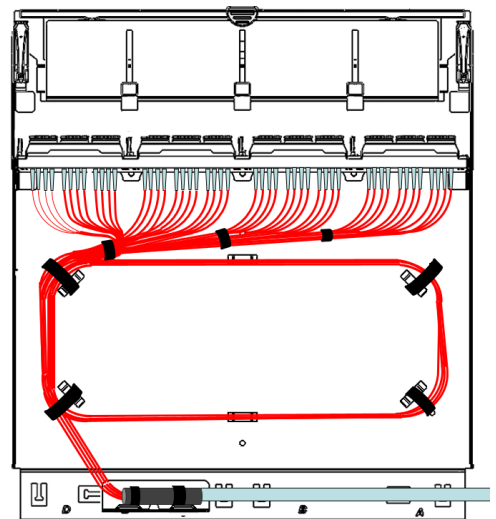
When used, splice tray(s) should be positioned in the center of the fiber storage platform as shown. Secure the tray(s) to the floor of the fiber storage tray using the Velcro strap and lance points as shown.



Note: If using only one splice tray Velcro dots included with the enclosure can be used to stabilize the tray in conjunction with the strap shown above. Dots should be placed as shown on the underside of the tray.

27

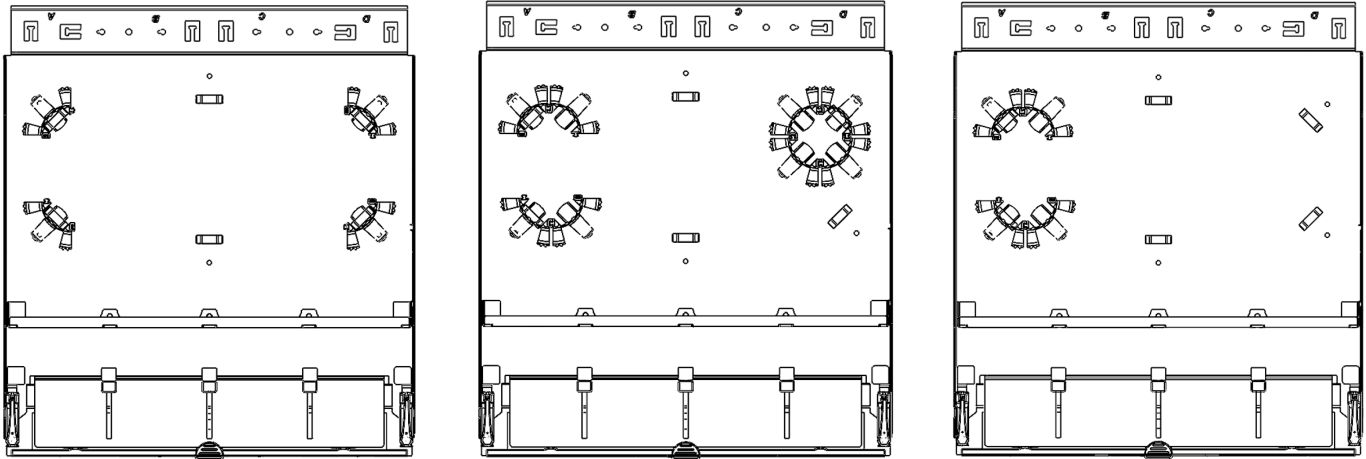
When managing large volumes of fiber, Velcro loops may alternatively be used in lance points as shown.



28

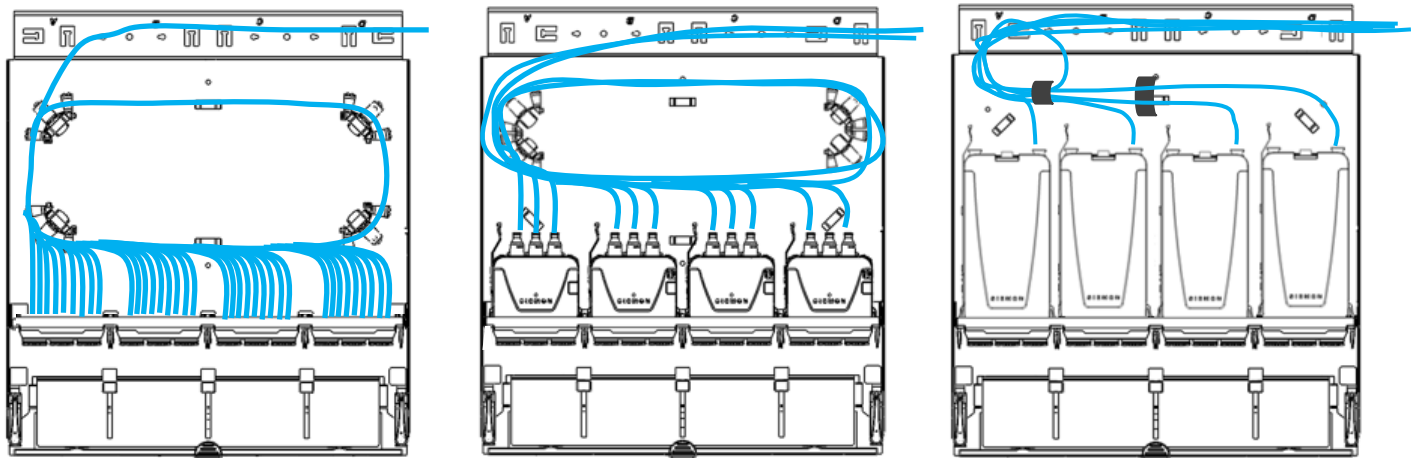
LightVerse® Pro Enclosure Installation Instructions

Quarter Round Fiber Manager (Mounting Examples)

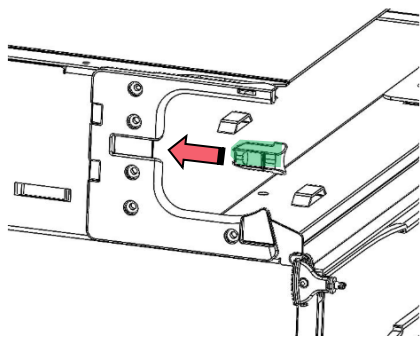


29

Fiber Management examples with adapter plates/modules/cassettes

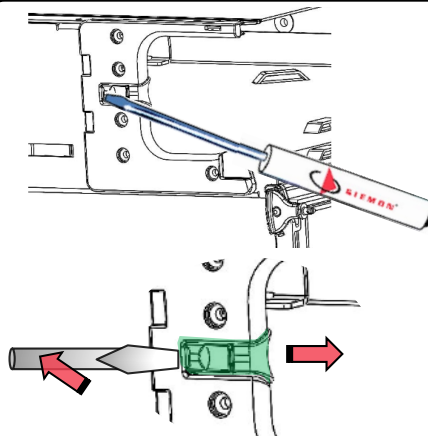


30



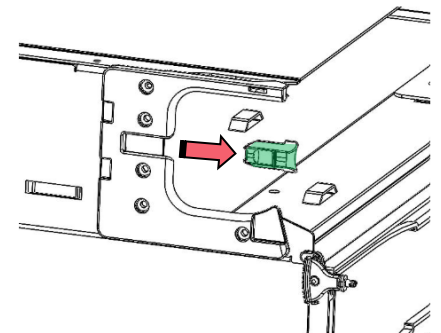
If the guided fiber management brackets on the fiber entry point (either left or right) are not being used the bracket slot blank should be in place.

31



To remove the blank, place small flat head screwdriver into the slot in the blank as shown. Leverage screwdriver forward to slide blank forward.

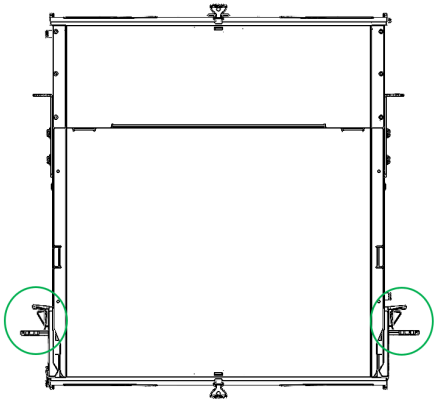
32



Completely slide blank back and remove from slot.

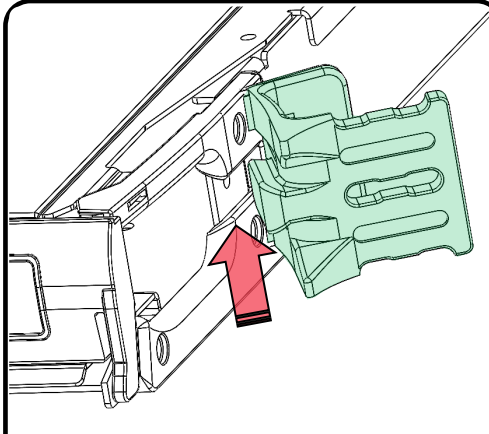
33

LightVerse® Pro Enclosure Installation Instructions



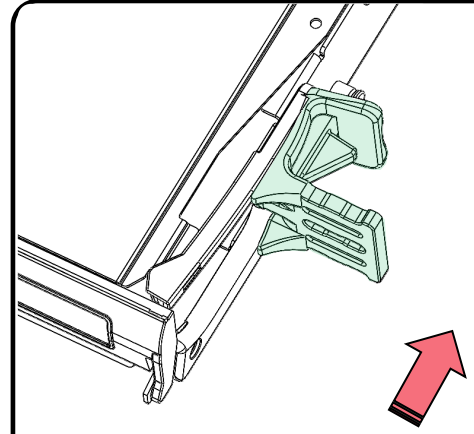
When using an internal jumper slack bend, mount the rear fiber management bracket on the side of the fiber entry (left or right).

34



Align the bracket with the mounting channel on the enclosure.

35

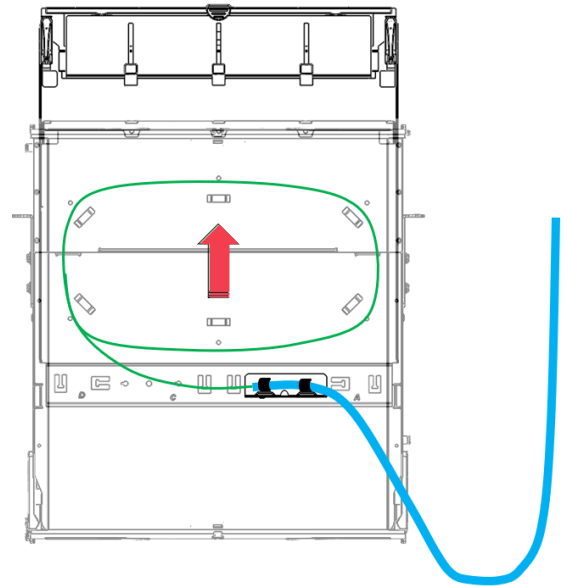
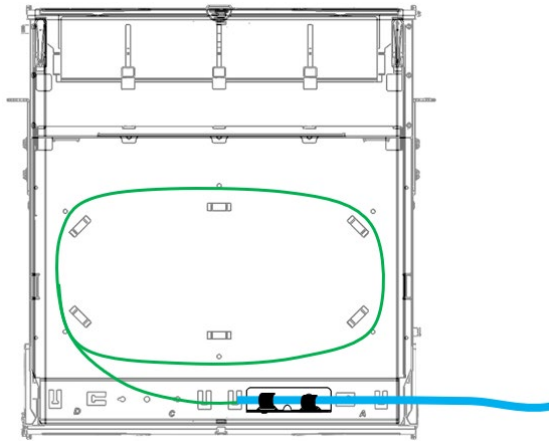


Push the bracket forward until it locks into place. The release tab on the bracket may be depressed to ease entry force.

36

If the cable slack for forward jumper motion is stored outside the 2U and 4U enclosures, the cable can be secured to the rear cable securing plate (located closest to the fiber entrance) at the rear of the enclosure and a loop of 1-2 feet should be left outside the enclosure in vertical pathway as shown.

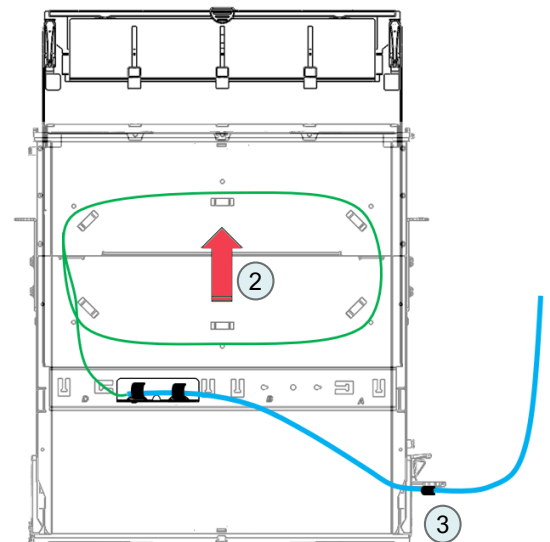
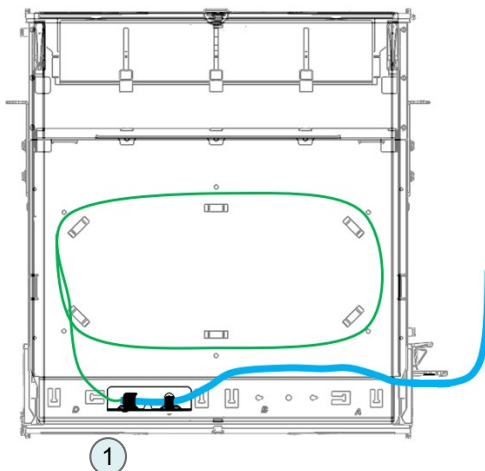
Note: The 1U enclosure has an integrated center cable securing plate.



37

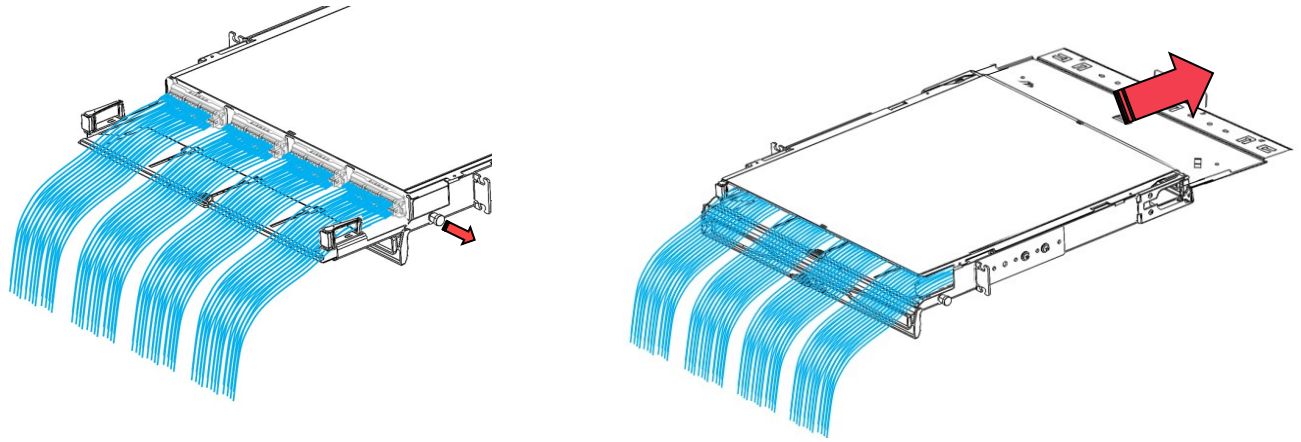
If the cable slack for forward jumper motion is stored inside the 2U and 4U enclosures, the externally mounted rear fiber management bracket should be used in conjunction with the internally mounted rear cable securing plate as shown. Slack should be enough to reach first jumper position when tray is moved forward. 1. Secure fiber to internal rear cable mounting plate. 2. Pull tray forward to jumper position. 3. Secure fiber to external guided fiber management bracket and return tray to storage position.

Note: The 1U enclosure has an integrated center cable securing plate.



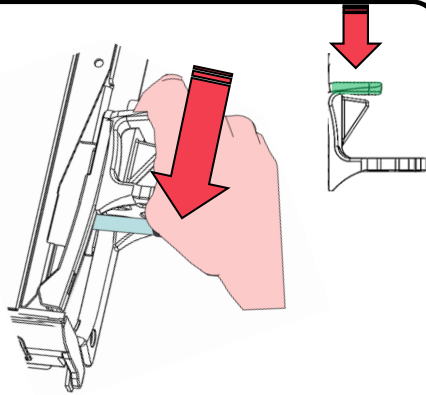
38

LightVerse® Pro Enclosure Installation Instructions



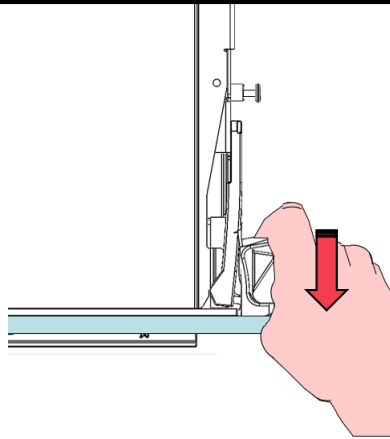
If the sliding tray is to be pulled out the back with jumpers installed, it is necessary to remove them from the jumper management guides and route forward as shown, to allow for the tray to retract without damaging the jumpers.

39



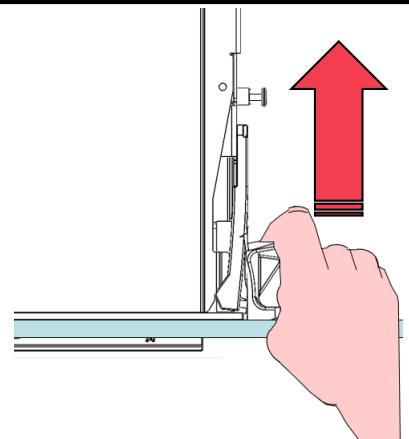
When rear access to the enclosure is necessary after the inbound fiber(s) have been secured to the rear fiber management bracket, disengage the bracket by depressing the release tab.

40



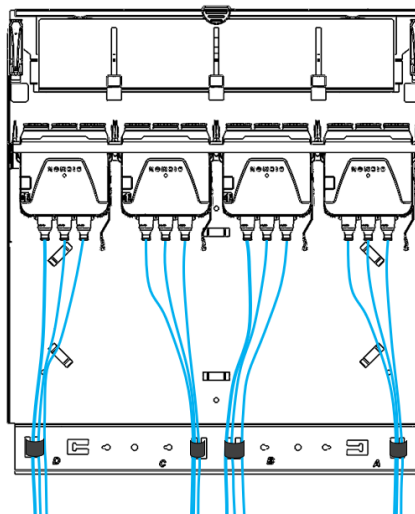
While taking hold of both the fiber and the bracket, slide bracket backwards with the tray movement to gain access to the back of the rear of the enclosure.

41



When returning the fiber tray to storage position, re-engage the bracket in its slot and push forward to lock position.

42

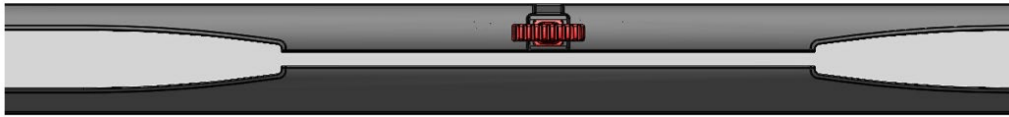


Cable may also be routed directly out the rear of the enclosure. If this option is utilized, the rear door must be removed to allow cable exit.

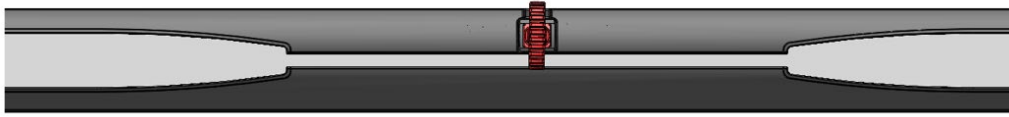
43

LightVerse® Pro Enclosure Installation Instructions

Door with tamper resistant latch disengaged



Door with tamper resistant latch engaged

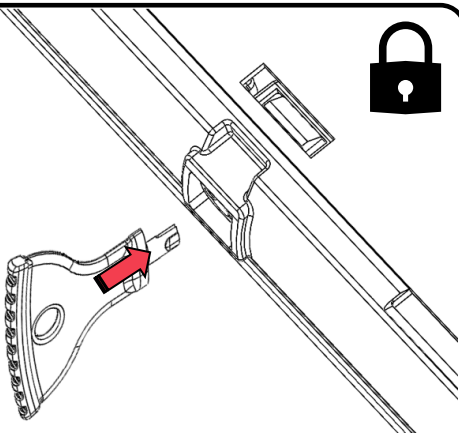


Key may be stored onto side of rear door.



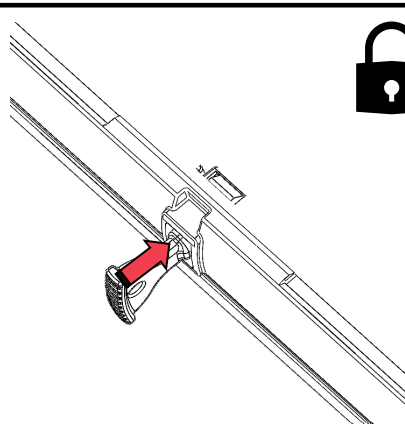
Rear Door

44



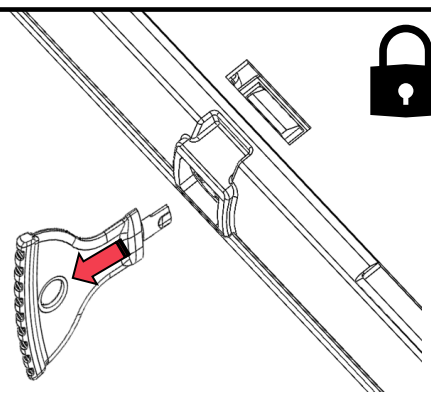
To engage the tamper resistant latch, insert key as shown.

45



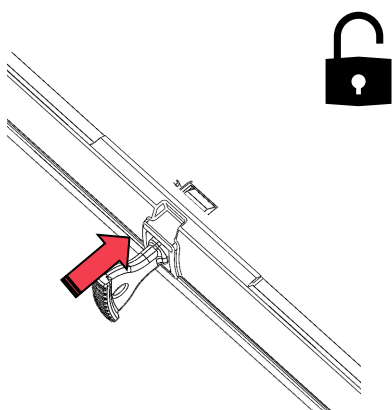
Push key in to engage the latch.

46



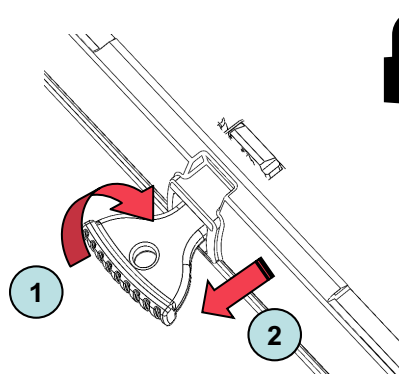
Remove key by pulling key straight back.

47



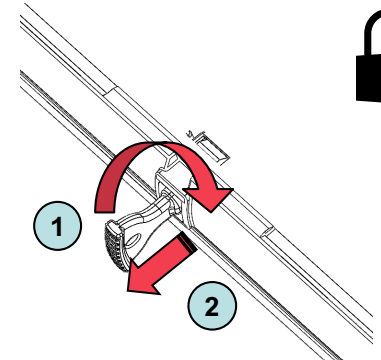
To disengage the tamper resistant latch, insert key as shown.

48



Rotate key to horizontal orientation and pull back to disengage the latch.

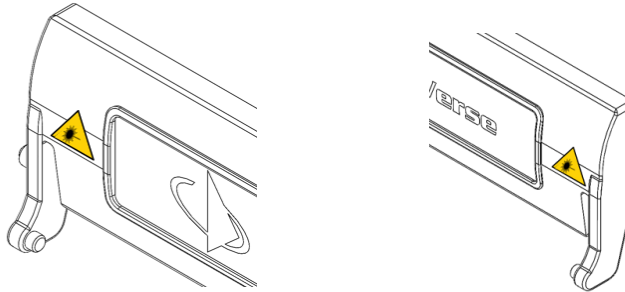
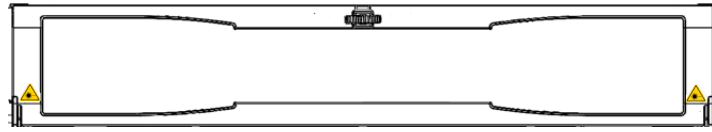
49



Rotate key back to vertical orientation and pull back to remove key.

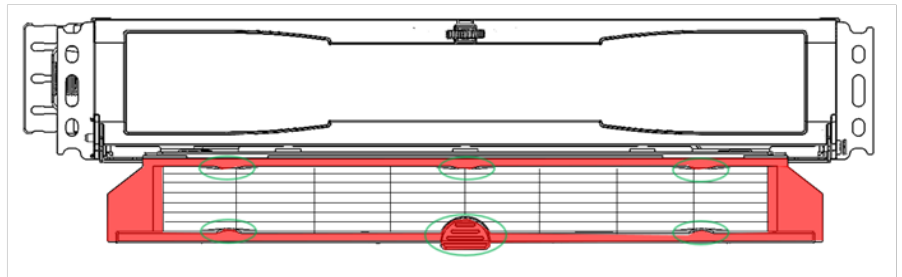
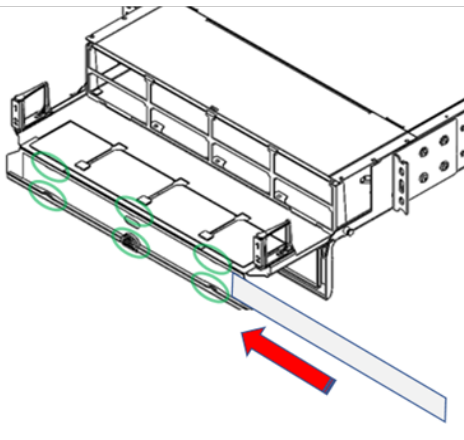
50

LightVerse® Pro Enclosure Installation Instructions



Attach recommended Laser Safety labels onto either the left or right side of the front and rear doors as shown.

51



Remove label from sheet using perforations. Slide label into the label holder from the side. Be sure the label is seated underneath all retention tabs as highlighted with green ovals.

52

To assist safe installations, comply with the following:

- A. Use caution when installing or modifying telecommunications circuits.
- B. Never touch uninsulated wire terminals unless the circuit has been disconnected.
- C. Never install this device in a wet location.
- D. Never install wiring during a lightning storm.

Lors de l'installation, respectez les consignes de sécurité suivantes:

- A. Utiliser avec prudence lors de l'installation ou de la modification circuits de télécommunications.
- B. Ne jamais toucher les bornes de fil métallique non isolés sauf si le circuit a été débranché.
- C. Ne jamais installer cet appareil dans un endroit humide.
- D. Ne jamais installer pendant un orage.



To ensure you have the latest revision to this document, please visit: www.siemon.com

Global Headquarters
Watertown, Connecticut USA
Tel: (1) 866-548-5814

For a complete listing of our global offices, please visit our website.