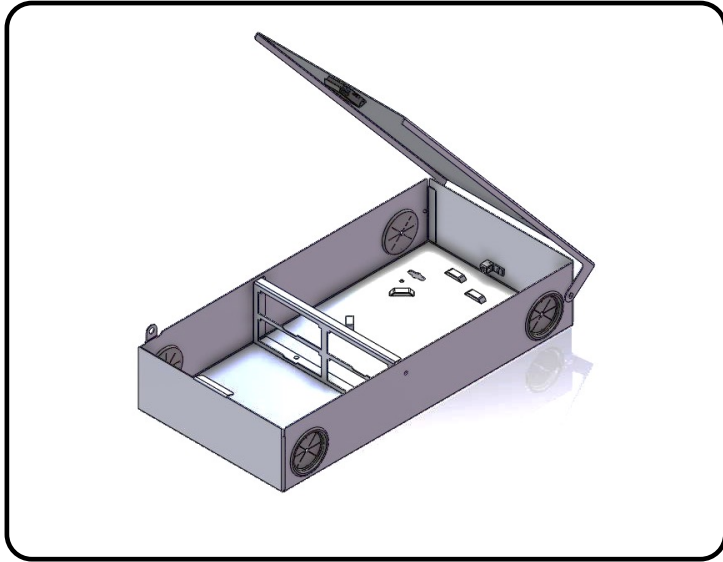


LightVerse® Wall Mount Enclosure – Standard



A.

B.

C.

Tools

- A. Diagonal cutters
- B. Philips screwdriver
- C. Flat head screwdriver

A.

B.

C.

D.

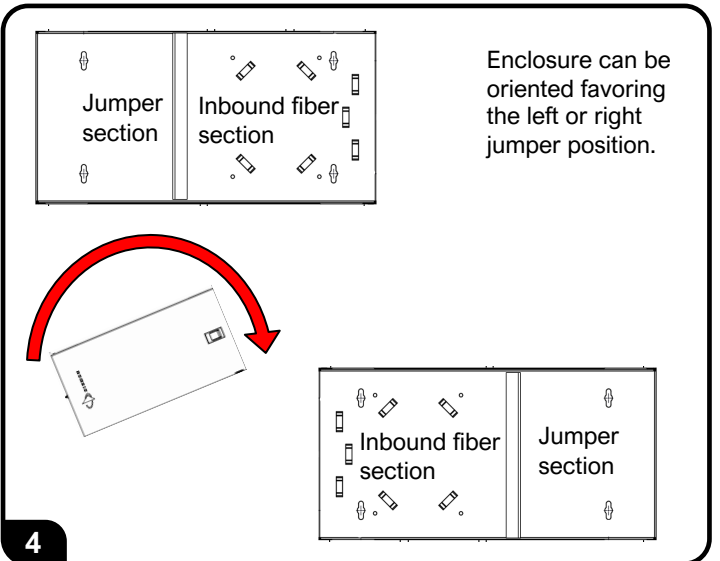
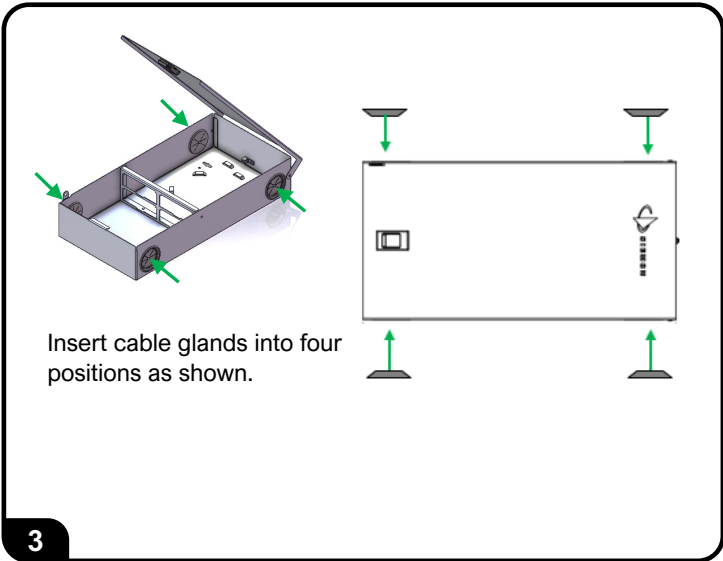
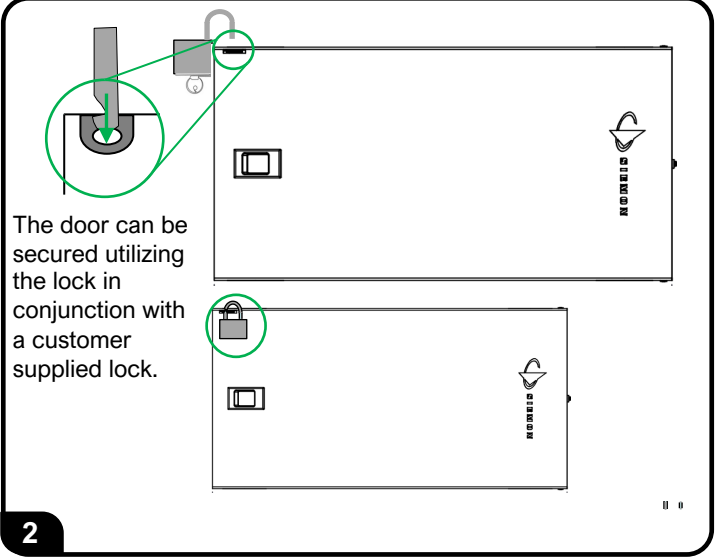
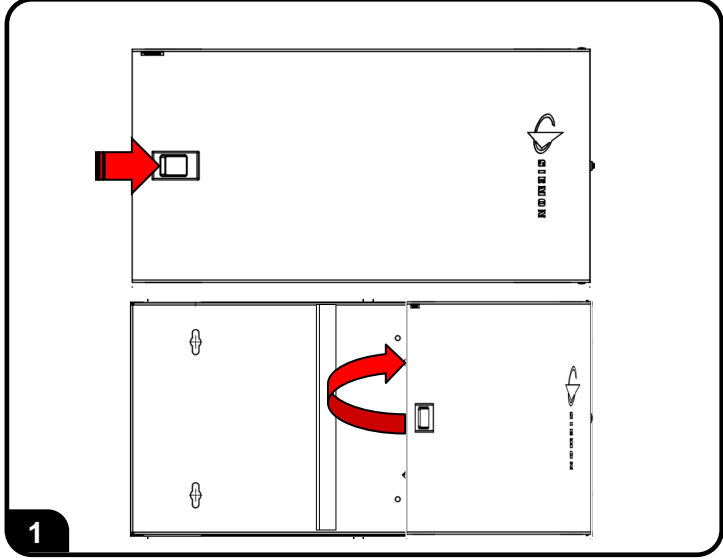
E.

F.

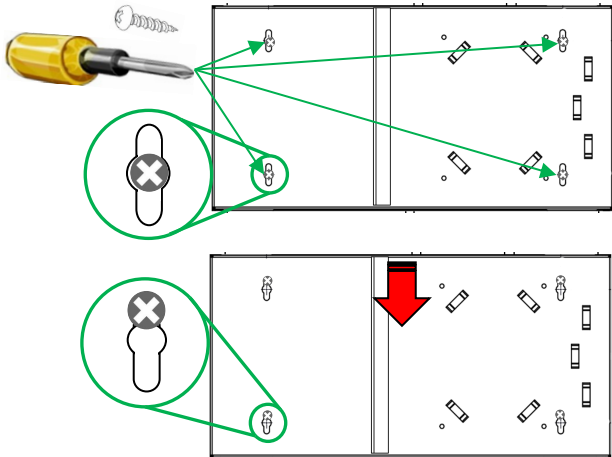
G.

Hardware

- A. Screws Philips 15mm (4 ea.)
- B. Compression lug w/ Philips mounting screw
- C. Label sheets
- D. Fiber managers (4 ea.)
- E. Cable glands (4 ea.)
- F. Velcro loops (2 ea.)
- G. Tie wraps (2 ea.)



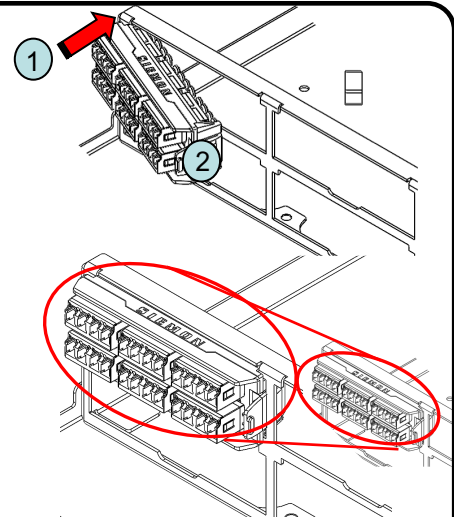
LightVerse® Wall Mount Enclosure – Standard



5

To insert the adapter plate, ensure that the SIEMON logo is facing up as shown.

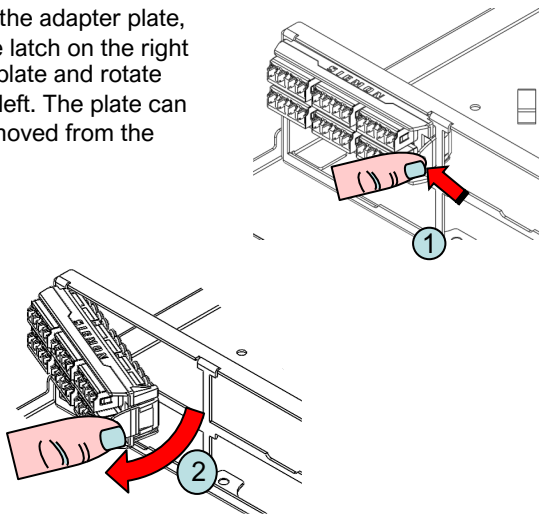
1. Insert the tab on the left side of the plate into the panel.
2. Rotate the latching side into the panel until it snaps into place.



6

LightVerse Adapter Plates

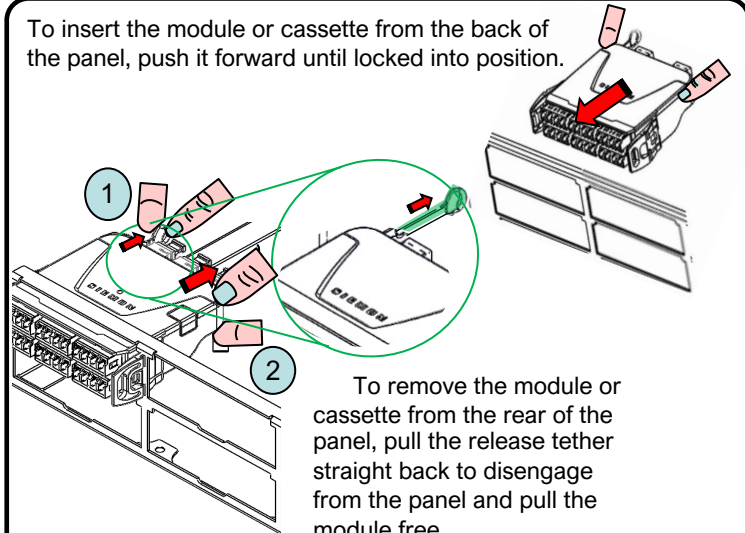
To remove the adapter plate, depress the latch on the right side of the plate and rotate toward the left. The plate can then be removed from the panel.



7

LightVerse Adapter Plates

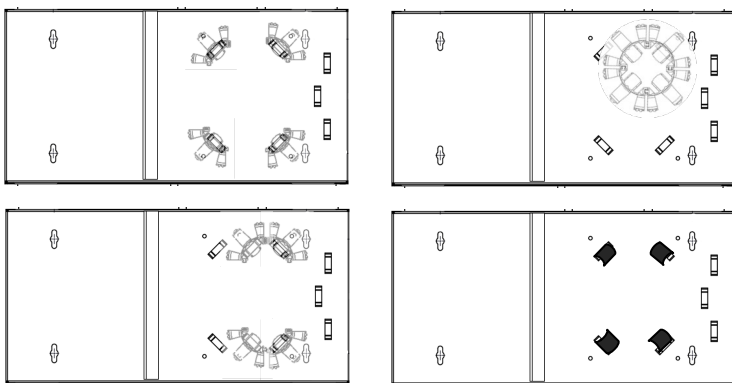
To insert the module or cassette from the back of the panel, push it forward until locked into position.



8

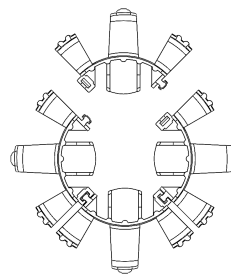
Plug & Play Modules and Splice Cassettes

To remove the module or cassette from the rear of the panel, pull the release tether straight back to disengage from the panel and pull the module free.



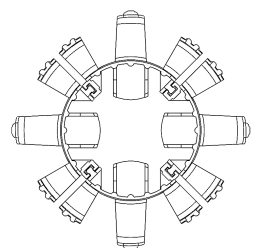
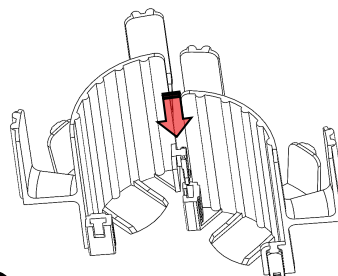
9

Cable Management Examples



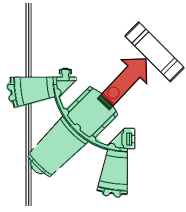
Quarter round fiber managers can be used to create 4 individual corners, 2 half circles or 1 complete circle ring (shown below).

Note: With Plug and Play modules and splice cassettes, not all fiber management positions will be usable or may require use of Velcro tie downs.



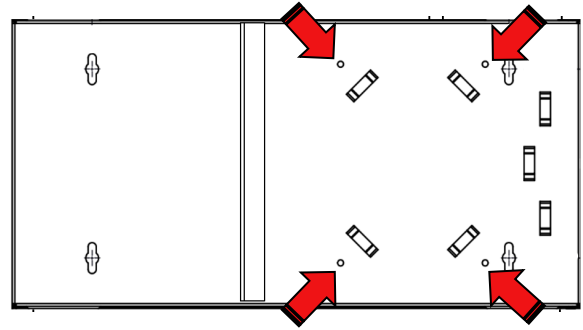
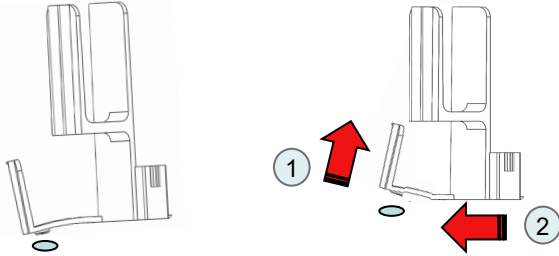
10

LightVerse® Wall Mount Enclosure – Standard



Quarter round fiber managers lock into position on the internal tray by sliding the tab under the lances until the lock pin engages into the hole in the tray.

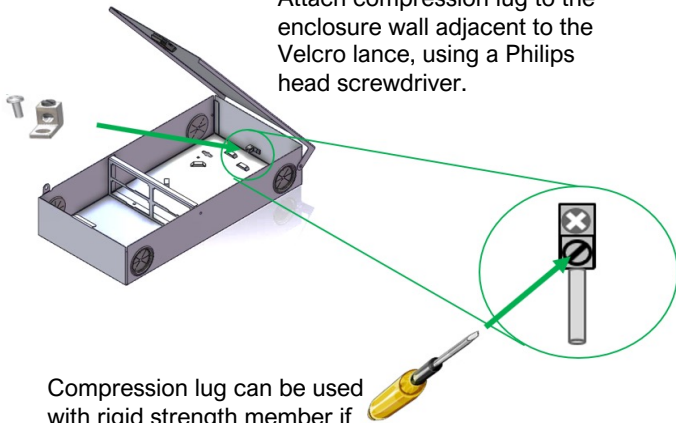
To remove, 1) lift bottom manager and 2) slide out.



Quarter round fiber managers lance positions shown.

Note: The center positions should not be used if using splice trays.

11

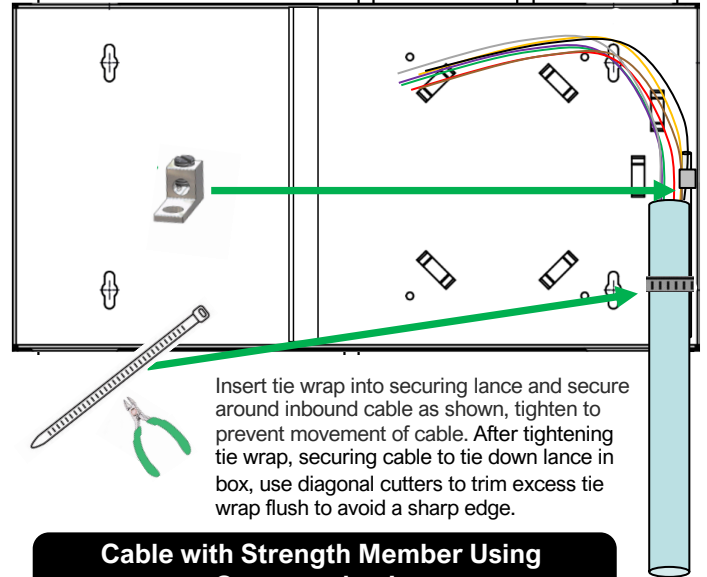


Attach compression lug to the enclosure wall adjacent to the Velcro lance, using a Philips head screwdriver.

Compression lug can be used with rigid strength member if present in cable or as a ground lug if applicable. Use a flat head screwdriver.

12

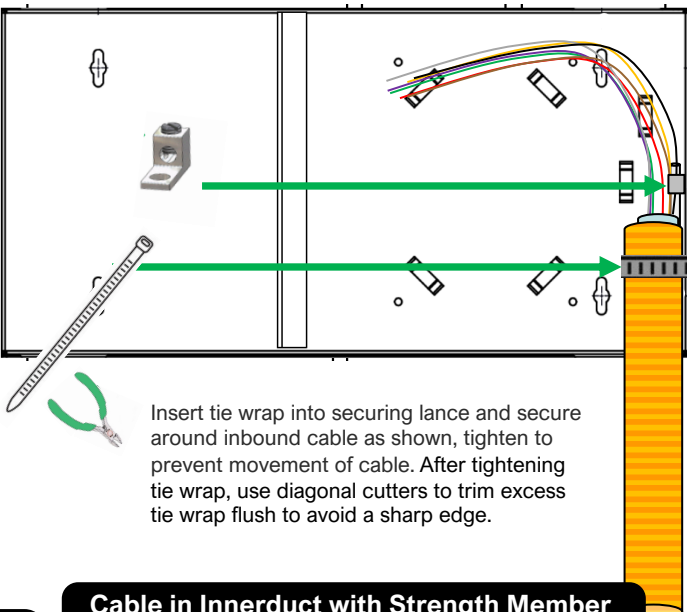
Compression Lug



Insert tie wrap into securing lance and secure around inbound cable as shown, tighten to prevent movement of cable. After tightening tie wrap, securing cable to tie down lance in box, use diagonal cutters to trim excess tie wrap flush to avoid a sharp edge.

13

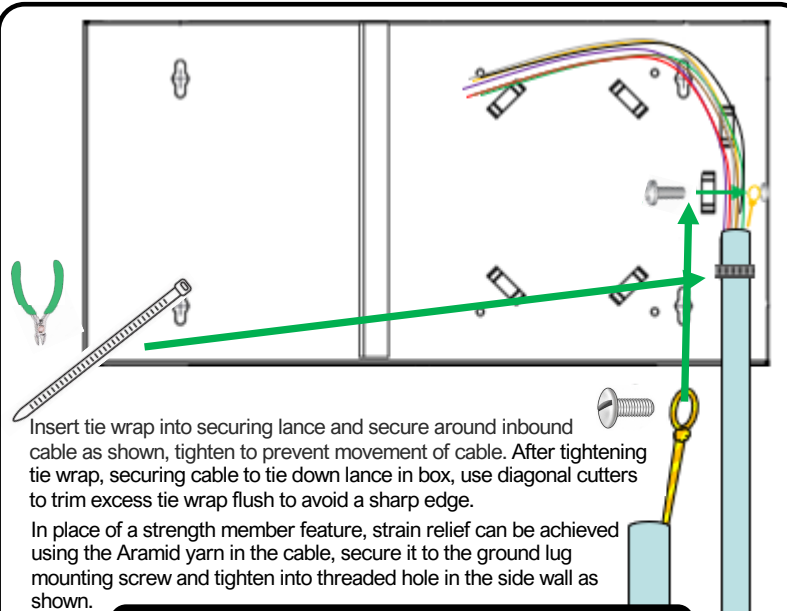
Cable with Strength Member Using Compression Lug



Insert tie wrap into securing lance and secure around inbound cable as shown, tighten to prevent movement of cable. After tightening tie wrap, use diagonal cutters to trim excess tie wrap flush to avoid a sharp edge.

14

Cable in Innerduct with Strength Member Using Compression Lug



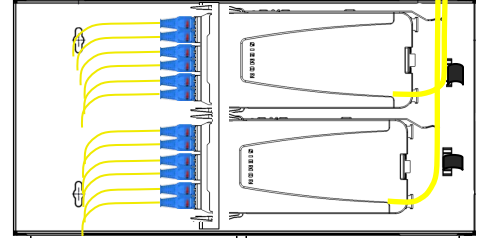
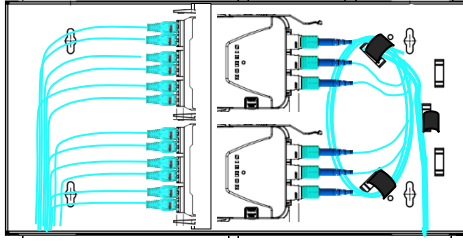
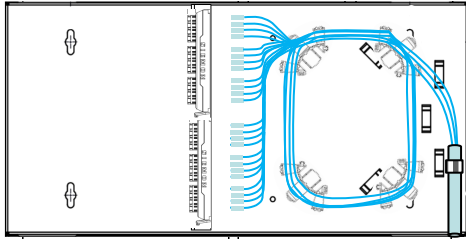
Insert tie wrap into securing lance and secure around inbound cable as shown, tighten to prevent movement of cable. After tightening tie wrap, securing cable to tie down lance in box, use diagonal cutters to trim excess tie wrap flush to avoid a sharp edge.

In place of a strength member feature, strain relief can be achieved using the Aramid yarn in the cable, secure it to the ground lug mounting screw and tighten into threaded hole in the side wall as shown.

15

Cable with Aramid Yarn Strength Member Using Butterfly Post

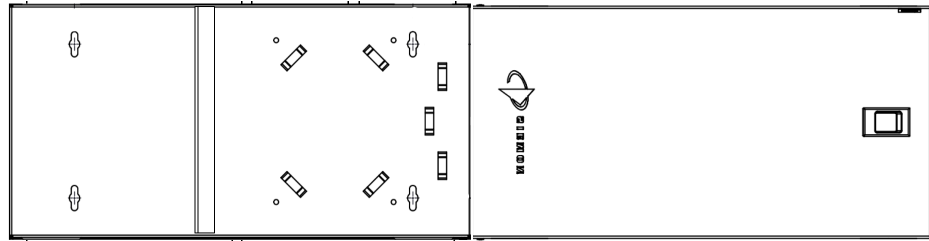
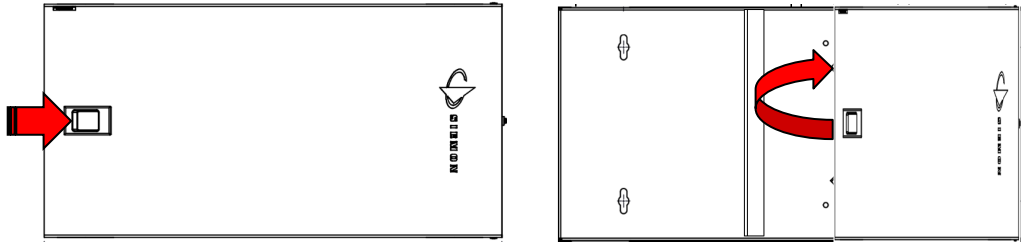
LightVerse® Wall Mount Enclosure – Standard



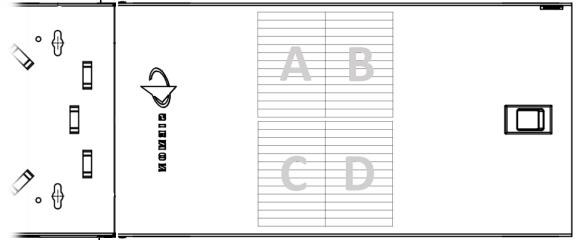
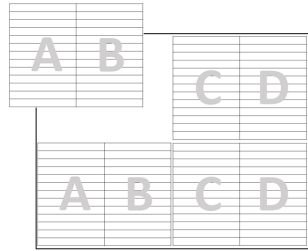
16

Cable Routing Examples

Fiber administrative labels can be placed on the inside of the door.



Peel off selected labels and place on the inside of the door as shown.



17

To assist safe installations, comply with the following:

- A. Use caution when installing or modifying telecommunications circuits.
- B. Never touch uninsulated wire terminals unless the circuit has been disconnected.
- C. Never install this device in a wet location.
- D. Never install wiring during a lightning storm.

Lors de l'installation, respectez les consignes de sécurité suivantes:

- A. Utiliser avec prudence lors de l'installation ou de la modification circuits de télécommunications.
- B. Ne jamais toucher les bornes de fil métallique non isolés sauf si le circuit a été débranché.
- C. Ne jamais installer cet appareil dans un endroit humide.
- D. Ne jamais installer pendant un orage.

To ensure you have the latest revision to this document, please visit: www.siemon.com



Global Headquarters
Watertown, Connecticut USA
Tel: (1) 866-548-5814

For a complete listing of our global offices visit our website.