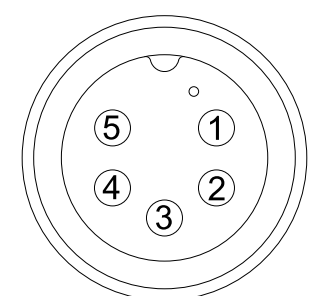
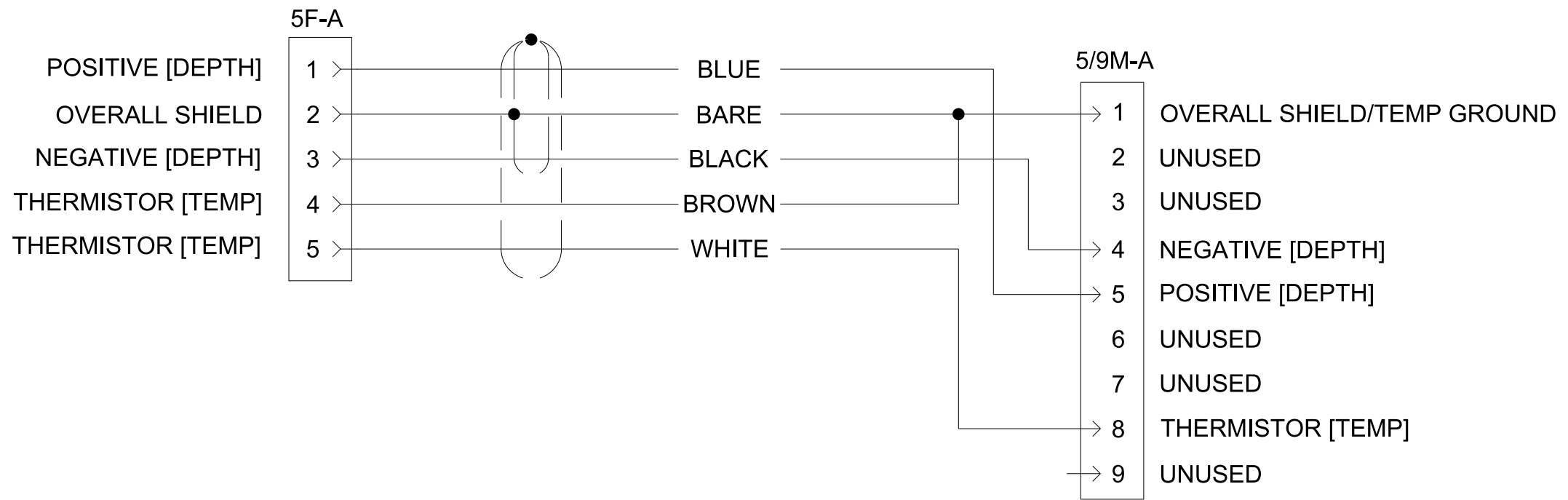


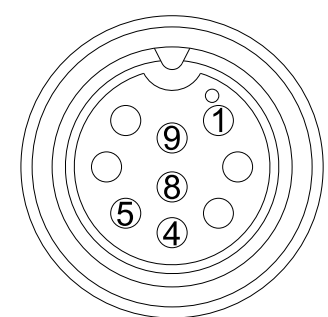
NOTES:

1. RED AND GREEN WIRES ARE CUT OFF ON BOTH ENDS.

THIRD ANGLE PROJECTION		DOCUMENT REVISIONS			
REV	DESCRIPTION	CO NO.	DATE	CHG/CHK	
1	INITIAL RELEASE	--	12/02/24	RLE/WJL	



CONTACT END VIEW
5 PIN FEMALE



CONTACT END VIEW
5/9 PIN MALE

UNLESS OTHERWISE SPECIFIED	SIGNATURE	DATE
DIMENSIONS ARE IN INCHES TOLERANCES ON 2 PL DECIMALS: ±0.02 3 PL DECIMALS: ±0.005 ANGLES: ±1/2° FRACTIONS: ±1/16 SURFACE FINISH: √63	DRAWN: R.EVANS	11/25/24
	CHECKED: I.ROBB	11/27/24
	APPROVED: W.LETENDRE	11/27/24

MATERIAL
AS NOTED

PART NUMBER	N/A	P/N REV	N/A
AIRMAR TECHNOLOGY CORPORATION 35 MEADOWBROOK DR MILFORD NH 03055-4613 USA TEL: 603-673-9570 FAX: 603-673-4624			

TITLE			
WIRING CBL ASSY C47 5F-A & 5/9M-A			
SIZE	SCALE: NONE	DOC NUMBER	DOC REV
B	SHEET 1 OF 1	D-22593	1

THIS DOCUMENT AND THE DATA DISCLOSED HEREIN OR HEREWITH IS NOT TO BE REPRODUCED, USED, OR DISCLOSED IN WHOLE OR IN PART TO ANYONE WITHOUT THE PERMISSION OF AIRMAR

CRITICAL DIMENSIONS (REF) DO NOT SCALE DRAWING