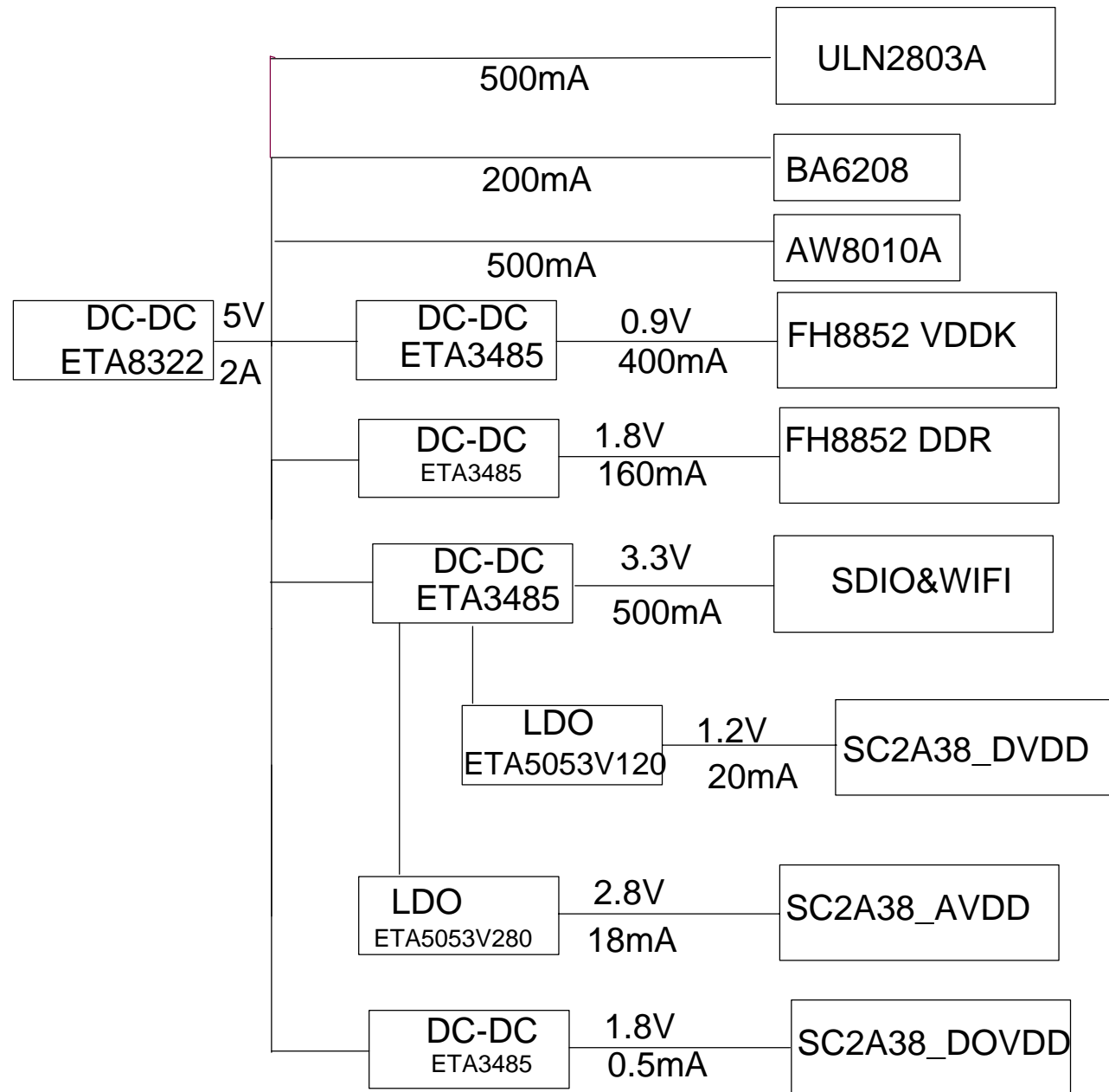


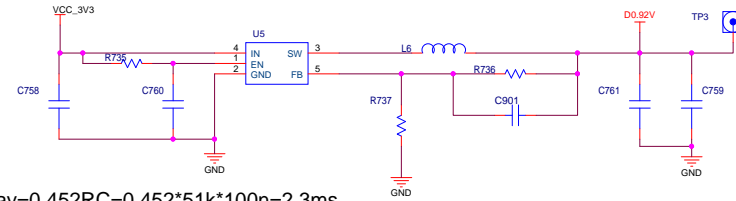
# Power Tree



Title		
FH8852V200+GC4653		
Size	Document Number	Rev
A3	POWER block diagram	V1.0
Date:	Wednesday, February 16, 2022	Sheet 3 of 9

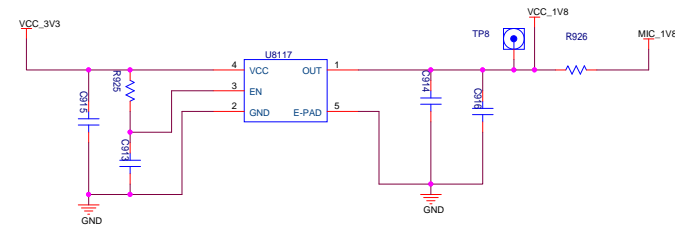
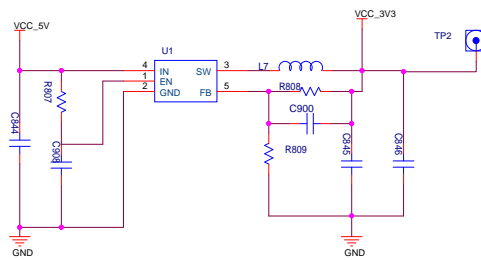
# Power

3V3-->0V92 1A

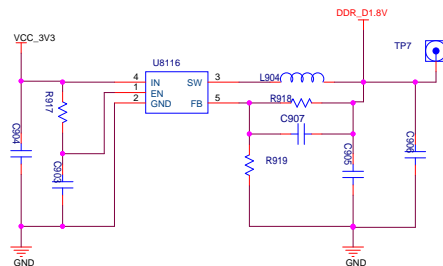
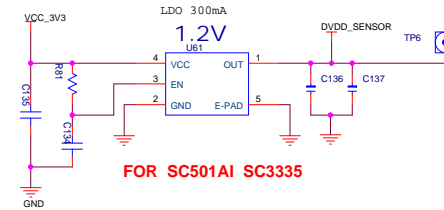


$$T_{delay} = 0.452RC = 0.452 * 51k * 100n = 2.3ms$$

5V-->3V3 1A



3V3-->1V2

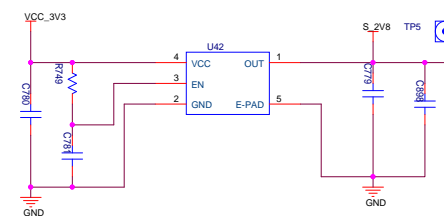


$$T_{delay} = 0.452RC = 0.452 * 10k * 100n = 0.45ms$$

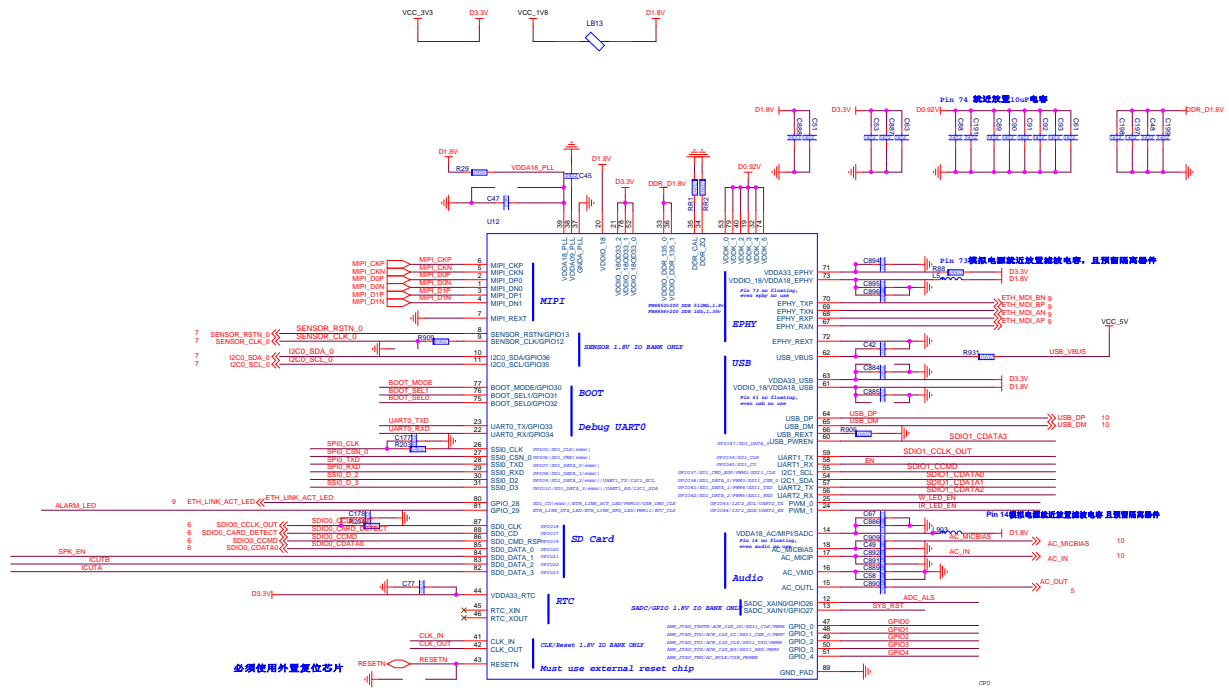
Rout=150K, Rin=120K Vout=1.35V

Rout=200K, Rin=100K Vout=1.8V

3V3-->2V8 Tdelay=0.452RC=0.452\*20k\*1000n=9ms

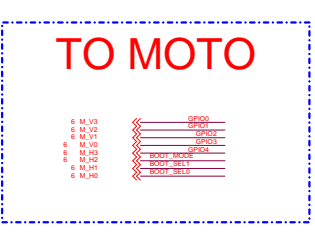
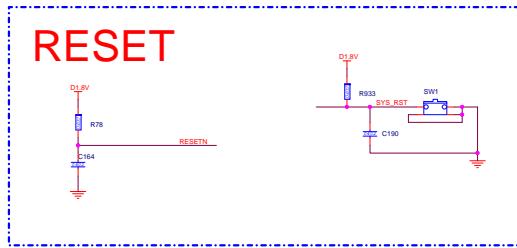
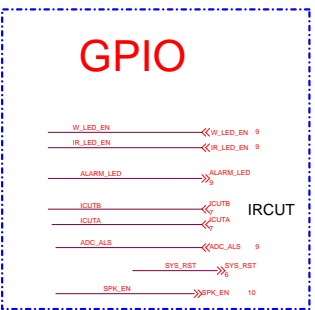
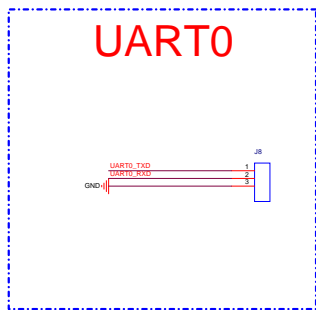
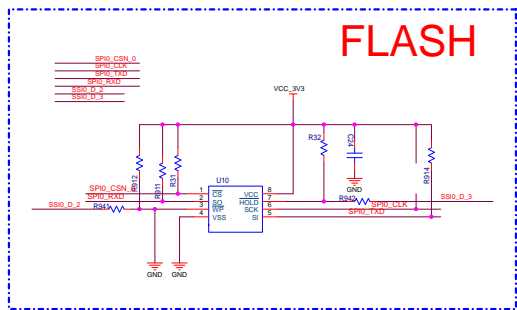
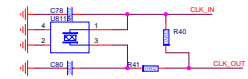


Title		FH8852V200+GC4653	
Size	C	Document Number	system power
Date:	Wednesday, February 16, 2022	Sheet	4 of 9
			Rev
			V1.0



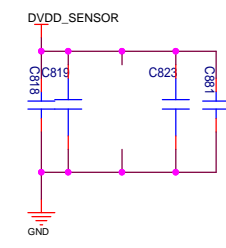
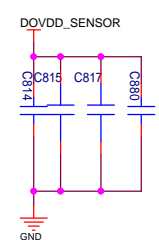
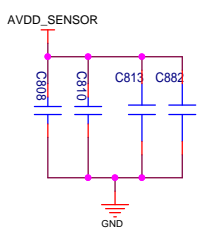
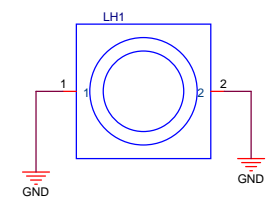
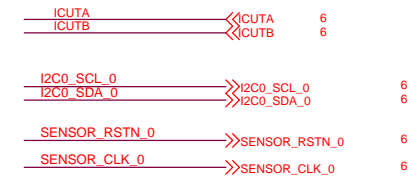
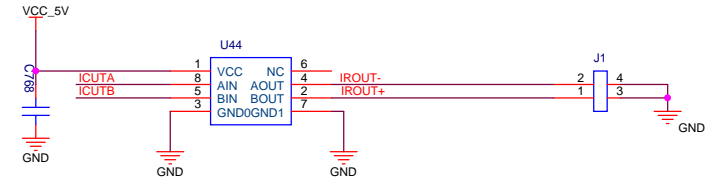
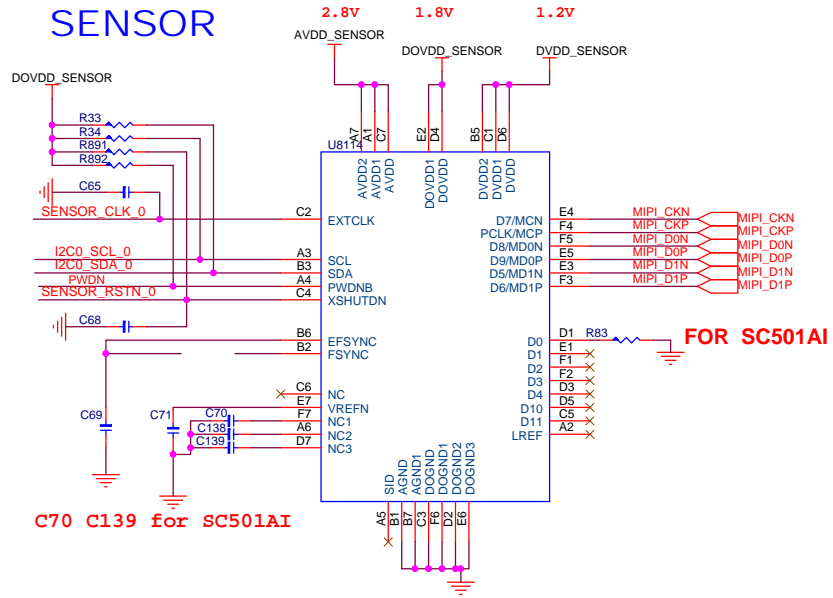
Power\_EN = 1: Active  
WIFI\_PWR\_EN R828 EN

必須使用外置复位芯片

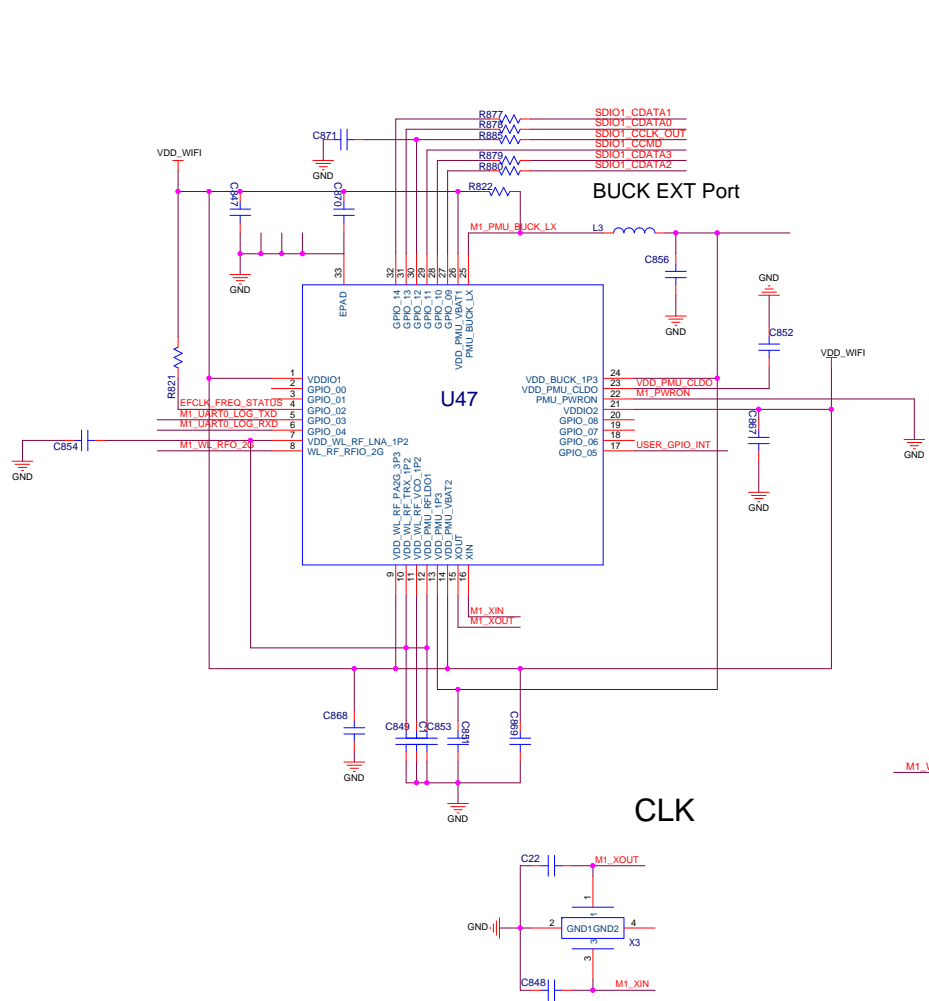


# SENSOR

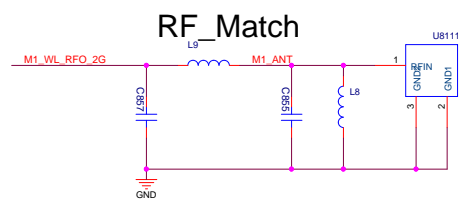
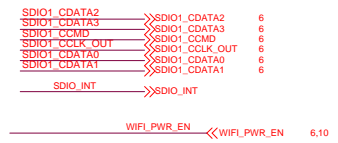
## SENSOR



Title		
FH8852V200+GC4653		
Size	Document Number	Rev
A3	GC4653	V1.0
Date:	Wednesday, February 16, 2022	Sheet 6 of 9



Power\_EN = 1: Active

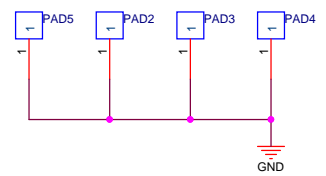
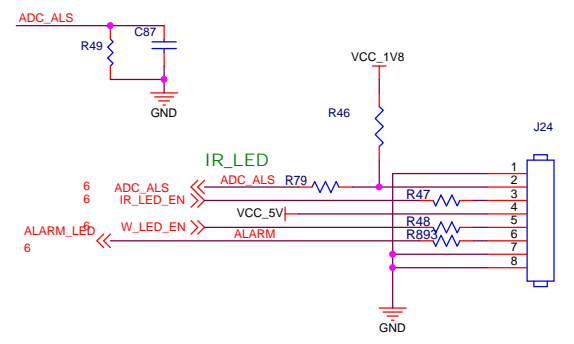
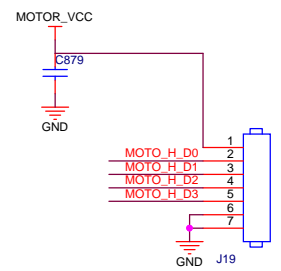
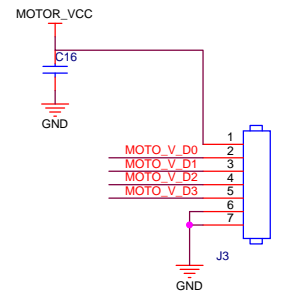
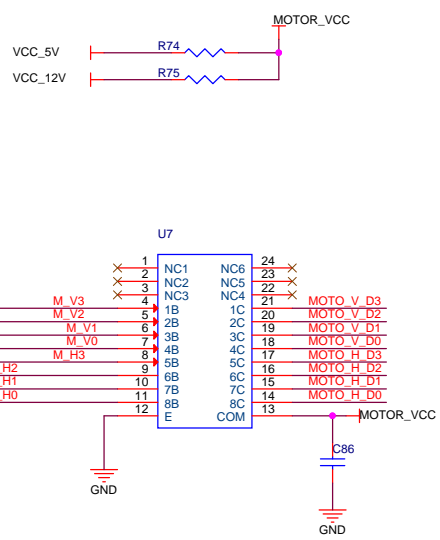
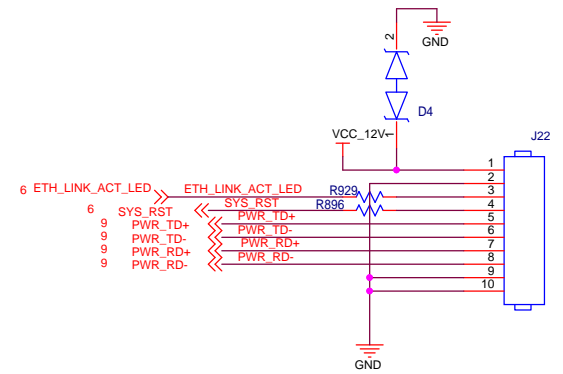
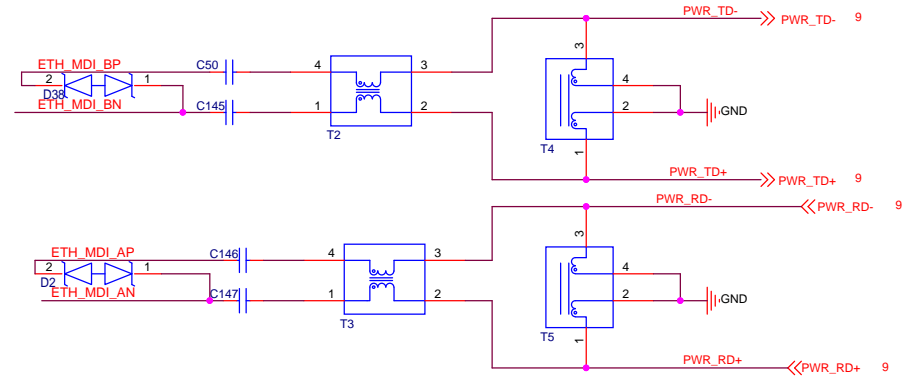


6 ETH\_MDI\_AP << ETH\_MDI\_AP

6 ETH\_MDI\_AN << ETH\_MDI\_AN

6 ETH\_MDI\_BP << ETH\_MDI\_BP

6 ETH\_MDI\_BN << ETH\_MDI\_BN



6 M\_V3  
6 M\_V2  
6 M\_V1  
6 M\_V0  
6 M\_H3  
6 M\_H2  
6 M\_H1  
6 M\_H0

Title		
FH8852V200+GC4653		
Size	Document Number	Rev
A3	ULN2803A	V1.0
Date:	Wednesday, February 16, 2022	Sheet 8 of 9

6 SDIO0\_CDATA2 << SDIO0\_CDATA2  
 6 SDIO0\_CDATA3 << SDIO0\_CDATA3  
 6 SDIO0\_CCMD << SDIO0\_CCMD  
 6 SDIO0\_CCLK\_OUT << SDIO0\_CCLK\_OUT  
 6 SDIO0\_CDATA0 << SDIO0\_CDATA0  
 6 SDIO0\_CDATA1 << SDIO0\_CDATA1  
 6 SDIO0\_CARD\_DETECT << SDIO0\_CARD\_DETECT

# Micro-SD Card

