



YLI ELECTRONIC

Standard-type Electric Strike with Signal

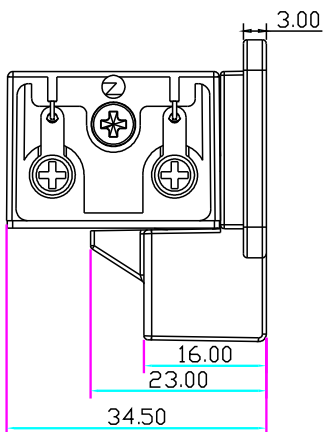
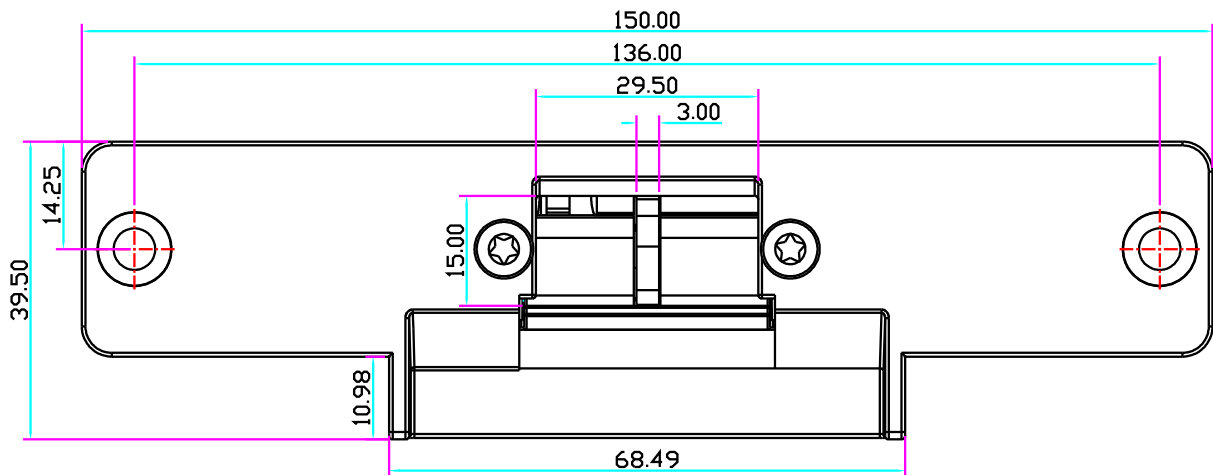


Model:YS-130NO/NC-S

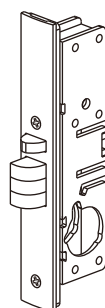
Specification

Size	150Lx39.5Wx34.5H(mm)
Voltage	12VDC
Current	200mA
Feature	FailSecure(YS-130NO-S) FailSafe(YS-130NC-S)
Suitable For	Wooden Door, Metal Door
Finishing	Electroplating
Weight	0.4kg

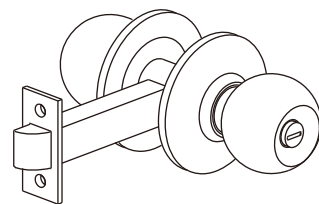
Diagram(unit:mm)



Options of Mechanical Lock

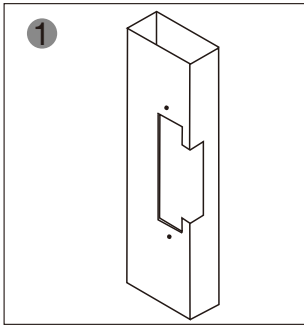


Mechanical Lock

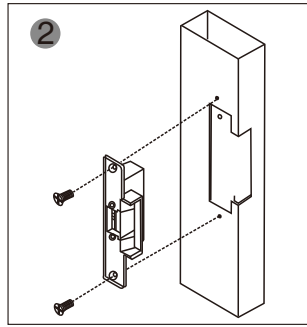


Knob lock

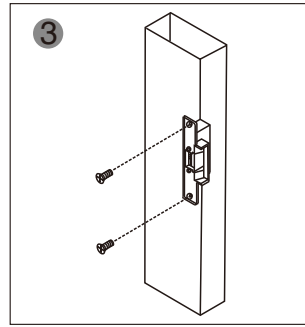
Installation



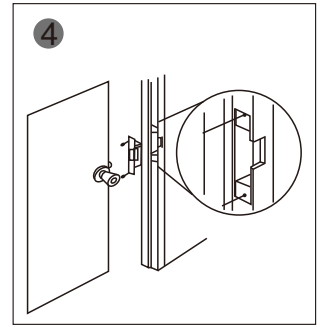
1 Cut hole according to the dimension of strike.



2 Assemble the lock and connect it to the power to test

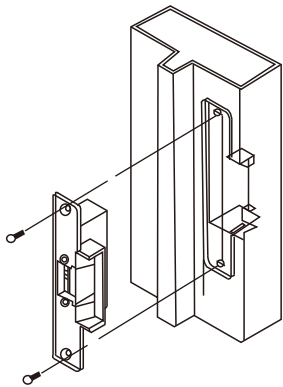


3 Fix the electric strike

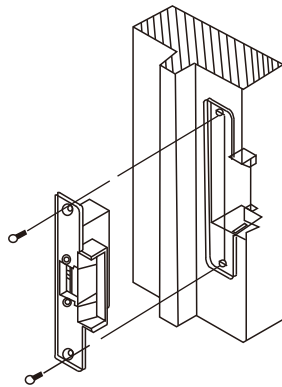


4 Finished

Suitable for



Metal Door Frame

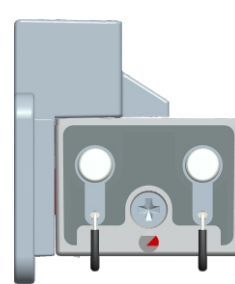


Wooden Door Frame

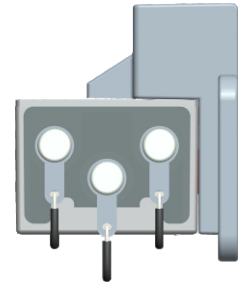
Signal Output

NO } **Lock Status**
 COM } N.C. contact output : open status
 NC } N.O. contact output : closed status

+ } 12VDC(Positive and negative are the same)
 - }



12VDC



NO COM NC

Wire connection

