



YLI ELECTRONIC



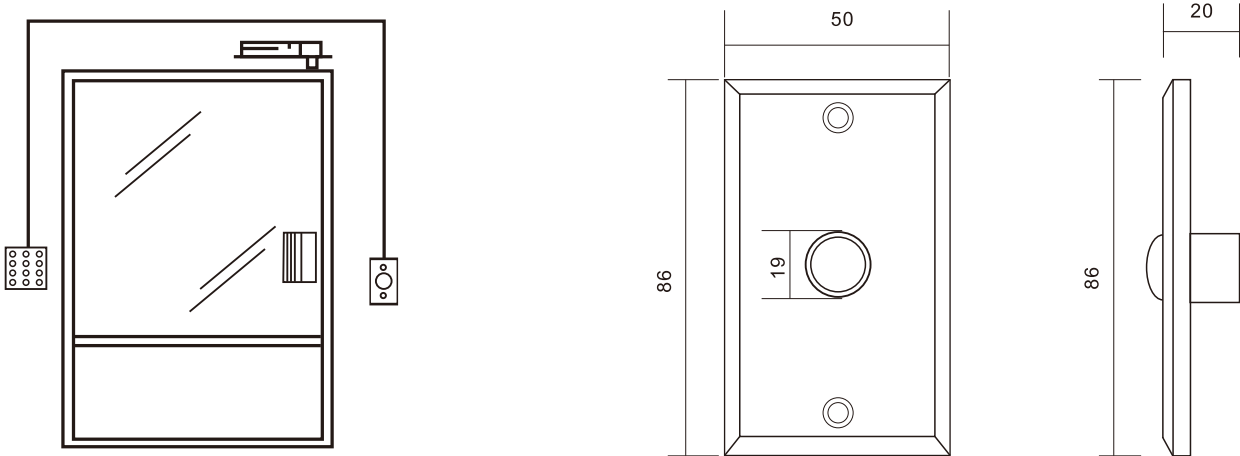
Door Release Button(Aluminium)

Model: ABK-800A

Specification

- Size: 86Lx50Wx20H(mm)
- Current Rating: 3A@36VDC Max
- Operating temp: 10~+55℃
- Panel Material: Aluminium Panel, Sandblast Finished
- Suitable for Door: Hollow Door
- Standard Structure: Aluminium Panel, Metal Button
- Output Contact: NO\NC\COM
- Operating Humidity: 0-95% (non- condensing)
- Weight: 0.16kg

Dimension Diagram



Installation

