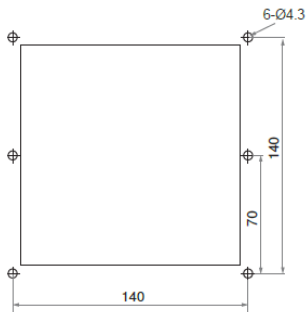


linkedpro by epcom®

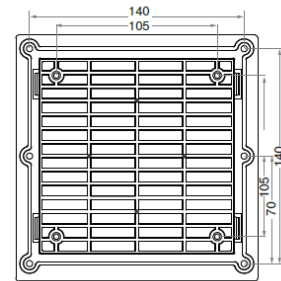
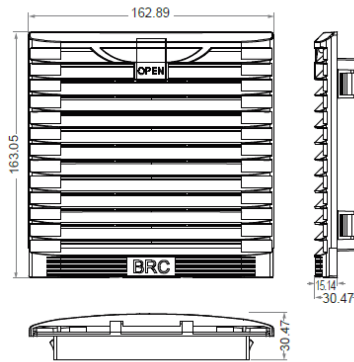


YH-04B

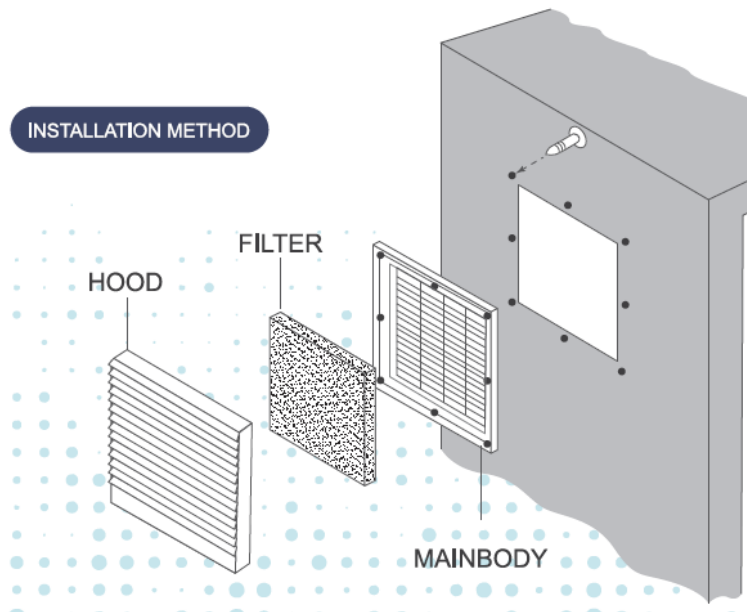
For 4 inch fan



PANEL OPENING SIZE



INSTALLATION METHOD



Model No.	Dimensions	Air Flow	Max Speed	Dust Removal Rate	Pressure Loss Range	Scope of use	Material	Protection
YH-04B	150x150x29mm	28.0m ³ /min	2.0M/sec	89%	6.9~24 inch-H ₂ O	Interior-10°C +55°C	ABS	IP54