

REV	DATE	DESCRIPTION	ECO	BY	C.H.K.
F	2023-06-30 01:00:00 EDT	UPDATED AS PER MARKUP	230627031427	YR	RA

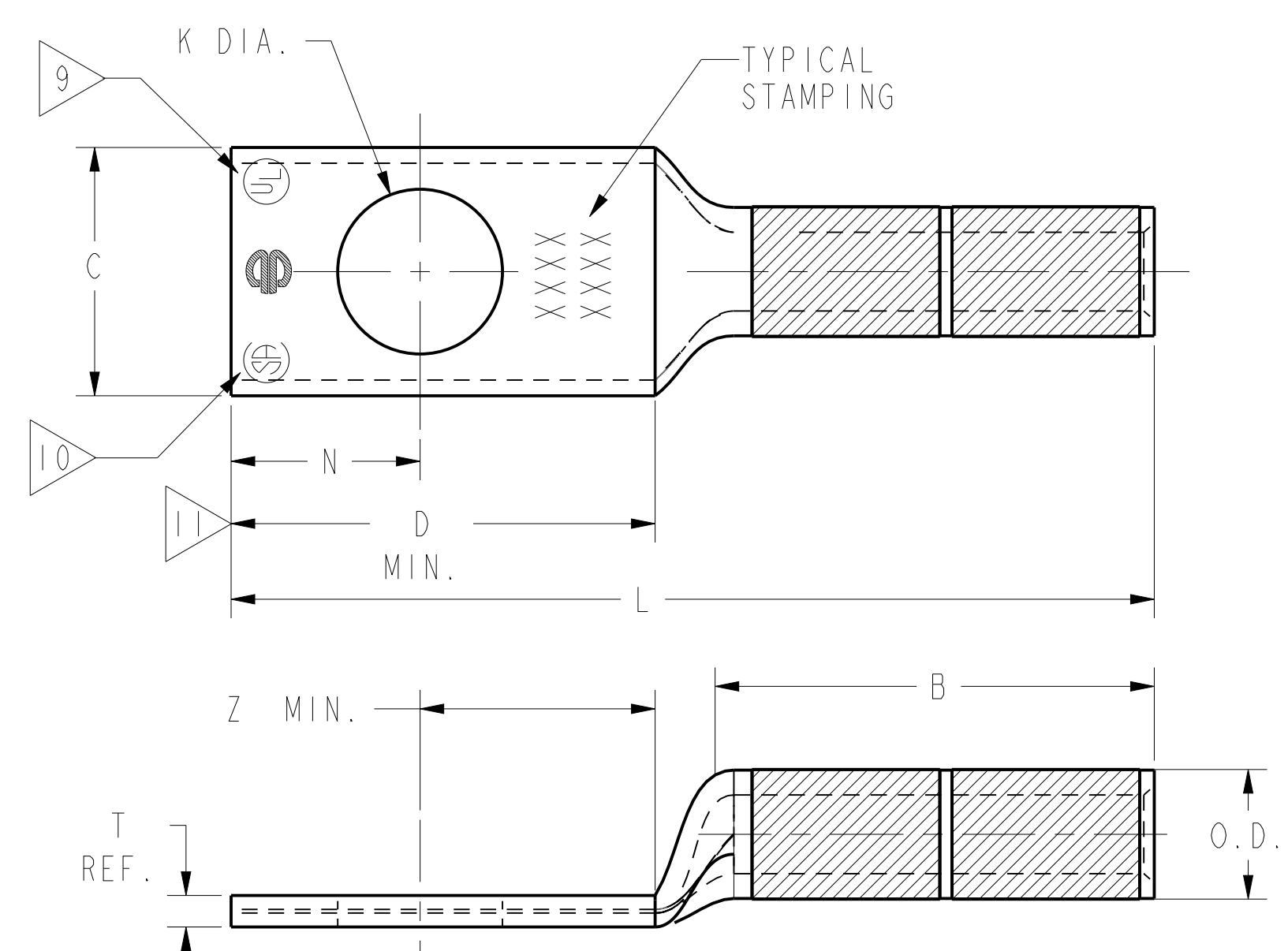
CATALOG NUMBER	STRANDED COPPER CONDUCTOR ACCOMMODATED			BOLT SIZE	METRIC BOLT SIZE	DIMENSIONS							
	CODE (AWG)	NAVY	METRIC SIZE (CLASS 2)			B	C	K DIA.	L	N	O.D.	T REF.	Z MIN.
YA2CNT10	#2 AWG	60	-----	#10	M5	1.25 [32]	.50 [13]	.21 [5]	2.10 [53]	.25 [6]	.42 [11]	.11 [3]	.27 [7]
YA2CTC10				#10	M5	1.25 [32]	.60 [15]	.21 [5]	2.10 [53]	.25 [6]	.42 [11]	.11 [3]	.27 [7]
YA2CTC14				1/4	M6	1.25 [32]	.60 [15]	.27 [7]	2.23 [57]	.31 [8]	.42 [11]	.11 [3]	.33 [8]
YA2CTC38				3/8	M10	1.25 [32]	.60 [15]	.41 [10]	2.41 [61]	.41 [10]	.42 [11]	.11 [3]	.42 [11]
YA2C				5/16	M8	1.25 [32]	.60 [15]	.33 [8]	2.29 [58]	.34 [9]	.42 [11]	.11 [3]	.36 [9]
YA2CN				1/2	M12	1.25 [32]	.83 [21]	.56 [14]	2.88 [73]	.63 [16]	.42 [11]	.12 [3]	.64 [16]
YA1CTC10	#1 AWG	75	-----	#10	M5	1.38 [35]	.68 [17]	.21 [5]	2.27 [58]	.25 [6]	.46 [12]	.10 [3]	.27 [7]
YA1CTC14				1/4	M6	1.38 [35]	.68 [17]	.27 [7]	2.39 [61]	.31 [8]	.46 [12]	.10 [3]	.32 [8]
YA1CTC38				3/8	M10	1.38 [35]	.68 [17]	.41 [10]	2.58 [66]	.41 [10]	.46 [12]	.10 [3]	.42 [11]
YA1C				5/16	M8	1.38 [35]	.68 [17]	.33 [8]	2.45 [62]	.34 [9]	.46 [12]	.10 [3]	.36 [9]
YA1CN				1/2	M12	1.38 [35]	.83 [21]	.56 [14]	3.06 [78]	.63 [16]	.46 [12]	.12 [3]	.64 [16]
YA25TC10				1/0 AWG	100	-----	#10	M5	1.38 [35]	.75 [19]	.21 [5]	2.30 [58]	.25 [6]
YA25	5/16	M8	1.38 [35]				.75 [19]	.33 [8]	2.48 [63]	.34 [9]	.51 [13]	.10 [3]	.36 [9]
YA25TC38	3/8	M10	1.38 [35]				.75 [19]	.40 [10]	2.61 [66]	.41 [10]	.51 [13]	.12 [3]	.42 [11]
YA25N	1/2	M12	1.38 [35]				.83 [21]	.56 [14]	3.05 [77]	.63 [16]	.51 [13]	.11 [3]	.64 [16]

CONNECTOR SIZE	TOLERANCES					
	B	C	K DIA.	L	N	O.D.
-8C THRU -25	±.06	±.04	±.02	±.09	±.03	±.01
-26 THRU -34	±.08	+0.04 -.06	±.02	±.12	±.03	±.01
-35 AND UP	±.09	±.06	±.02	±.15	±.06	±.01

TOLERANCE BLOCK

CATALOG NO.	COLOR CODE	DIE INFORMATION		MECHANICAL				HYDRAULIC					DIELESS (# CRIMPS)		WIRE STRIP LENGTH		
		DIE INDEX	TYPE	YIMRTC	OUR840	MD6 MD7	MD6--R2 MD7-34R	PATMD6 PAT600 Y500CT	Y34A Y34B Y34BH	Y35, Y39 Y750, PAT750	Y46, PAT46	Y45	Y48B	Y60BHU		MECHANICAL	HYDRAULIC
YA2CNT10 YA2CTC10 YA2CTC14 YA2CTC38 YA2C YA2CN	BROWN	10	BROWN DIE SET	BROWN (4)	X2CRT(2)	W2CRT(2) W2CVT(2)	W2CRT(2) W2CVT(2)	W2CRT(2) W2CVT(2)	-----	U2CRT(2)	U2CRT(2)	U2CRT(2)	-----	-----	MY29-3(2) MY29-11(2) MRC840(2)	PAT81KFT(2) Y81KFT(2) PAT4PC834(2) Y4PC834(2) PAT644(1) Y644(1)	1-5/16"
YA1CTC10 YA1CTC14 YA1CTC38 YA1C YA1CN	GREEN	11 375	GREEN DIE SET	GREEN (4)	X1CRT-1 (2)	W1CRT-1(2) W1CVT(2)	W1CRT-1(2) W1CVT(2)	W1CRT-1(2) W1CVT(2)	-----	U1CRT-1(2) U4CABT(2)	U1CRT-1(2) U4CABT(2)	U1CRT-1(2) U4CABT(2)	-----	-----	-----	-----	1-7/16"
YA25TC10 YA25 YA25TC38 YA25N	PINK	12 348	PINK DIE SET	-----	X25RT(4)	W25RT(4) W25VT(4)	W25RT(4) W25VT(4)	W25RT(4) W25VT(4)	A25R(2)	U25RT(2) U2CABT(2)	U25RT(2) U2CABT(2)	U25RT(2) U2CABT(2)	-----	-----	MY29-3(2) MY29-11(2) MRC840(4)	PAT81KFT(2) Y81KFT(2) PAT4PC834(2) Y4PC834(2) PAT644(1) Y644(1)	1-7/16"

- NOTES:
- MATERIAL : COPPER TUBING.
 - FINISH: ELECTRO-TIN PLATED.
 - CATALOG # PT6515 ADAPTOR IS REQUIRED TO USE "U" DIES IN Y45 SERIES TOOLS.
 - CATALOG # PUADP-1 ADAPTOR IS REQUIRED TO USE "U" DIES IN Y46 SERIES TOOLS.
 - Y35P3 INDENTOR ADAPTOR REQUIRED FOR Y34PR INDENTOR.
 - PERMANENT DIE IN TOOLING.
 - DIMENSIONS IN BRACKETS [] ARE IN MILLIMETERS ROUNDED OFF TO THE NEAREST MILLIMETER, UNLESS OTHERWISE NOTED, AND ARE FOR REFERENCE ONLY.
 - FOR USE BY CUSTOMERS THAT HAVE THIS HYPRESS™. NO NEW Y34A HYPRESSES™ ARE BEING PROCESSED. Y34A USES A--D NEST DIES ONLY.
 - CONNECTORS ARE UL LISTED; UNDRILLED VERSIONS ARE NOT UL LISTED.
 - CONNECTORS ARE CSA CERTIFIED; UNDRILLED VERSIONS ARE NOT CSA CERTIFIED.
 - FOR UNDRILLED VERSIONS ADD SUFFIX "U" TO END OF CATALOG NUMBER. FOR UNDRILLED VERSIONS, USE D MIN. = N MAX. + Z MIN.
 - "X", "W-RT", "W-VT", "U", & "L" DIE SETS ARE COLOR CODED. "A", "B", AND "C" DIES ARE NOT COLOR CODED. NESTS AND INDENTOR TYPE ARE NOT COLOR CODED.



USE SUFFIX "NK" FOR NICKEL PLATING.

REFERENCE: SE209241 (YA-2, YA-4)

TO ORDER BURNDY@PRODUCTS CALL		HULLUG™	
UNITED STATES: 1-800-346-4175 (LONDONDERRY, NH)		ITEM NO: N/A	CAT. NO: YA-, YA-N & YA -TC- (TABLE)
CANADA: 1-800-361-6975 (QUEBEC) 1-800-387-6487 (ALL OTHER PROVINCES)		DRAWN BY: C RACANO 6/15/77	CHECKER: CAR 6/15/77
FOR PRODUCT INFO: http://www.burndy.com		DSN APPVL: LB 6/24/77	MFG APPVL: --
		QC APPVL: C ACKERMAN 9/9/94	MKT APPVL: T NELSON 9/7/94
		PROD FAM: --	SCALE: NTS
		PROJECT #: FPN1702013	SIZE: D
		DOCUMENT TYPE: Sales	DRAWING NO: SD079849
		REL LEVEL: Released	SHEET 3 OF 10

REV: CREO_08/10/21