

# XMRCA39

## Picture



## Features

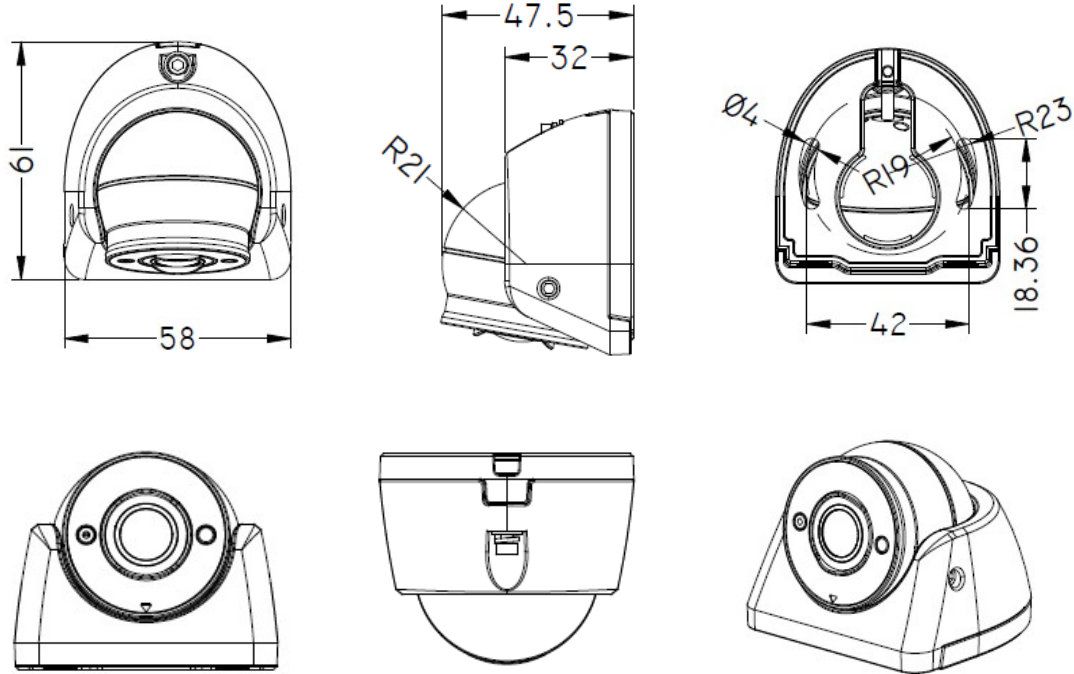
- 1/3" 1.3M pixel CMOS
- Resolution: 1280H\*720V
- Minimum illumination: 0lux (IR on); 0.05lux (IR off)
- Auto electronic shutter, auto exposure and auto white balance
- Support lens of 2.2mm, 2.8mm, and 3.6mm
- IR range: 10-15m
- Compact design and easy installation to ensure good damping performance of vehicles
- Built-in on-board audio pick-up with effective range up to 5m

## Specifications

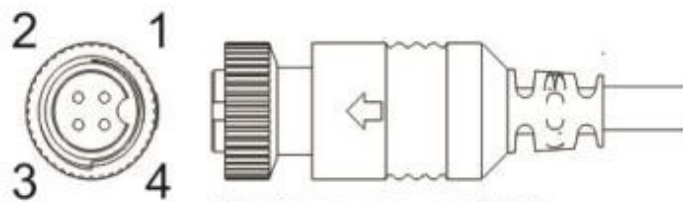
<b>Model</b>	SVT-A6320HB
<b>Image sensor</b>	1/3" 1.3M pixel CMOS
<b>Resolution</b>	1280H*720V
<b>Video signal standards</b>	NTSC/PAL
<b>Minimum illumination</b>	0lux (IR on); 0.05lux (IR off)
<b>Synchronization system</b>	Internal synchronization
<b>Scanning system</b>	Progressive scan
<b>S/N</b>	≥ 50dB
<b>Electronic shutter</b>	1/25s to 1/25,000s (auto)
<b>Day-to-night</b>	ICR
<b>White balance</b>	Auto tracking of white balance
<b>Auto gain</b>	Supported
<b>3D noise reduction</b>	Supported
<b>Backlight compensation</b>	Supported
<b>Digital WDR</b>	Supported
<b>Lens</b>	2.2mm M12@ F2.0, FOV HFOV: 130° VFOV: 73° DFOV: 150°
	2.8mm M12@ F2.0, FOV HFOV: 91° VFOV: 50° DFOV: 107°
	3.6mm M12@ F2.2, FOV HFOV: 73° VFOV: 41° DFOV: 85°
<b>IR detection range</b>	10-15m (2 LED arrays)
<b>Video output</b>	1.0Vp-p composite video output, 75 ohm, 4Pin aviation cable
<b>Audio input</b>	Built-in on-board audio pick-up with effective range up to 5m
<b>Power supply</b>	DC12V± 10%
<b>Power consumption (max)</b>	200mA/DC12V±5%
<b>Operating temperature</b>	-40°C ~ 70°C

<b>Operating humidity</b>	<90% (non-condensing)
<b>Installation mode</b>	Hanging-mounted
<b>Adjustable angle</b>	15° to 107° (horizontally up and down) adjustable
<b>Dimensions</b>	58mm*61mm*47.5mm (L*W*H)
<b>Net weight</b>	About 125g

**Dimensions**



**Video output cable interface**



航空RS765-4 (母头)

- 1---12VDC(+)
- 2---12GND(-)
- 3---AUDIO
- 4---AHD VIDEO