

XMRC38

External Water-proof IPC

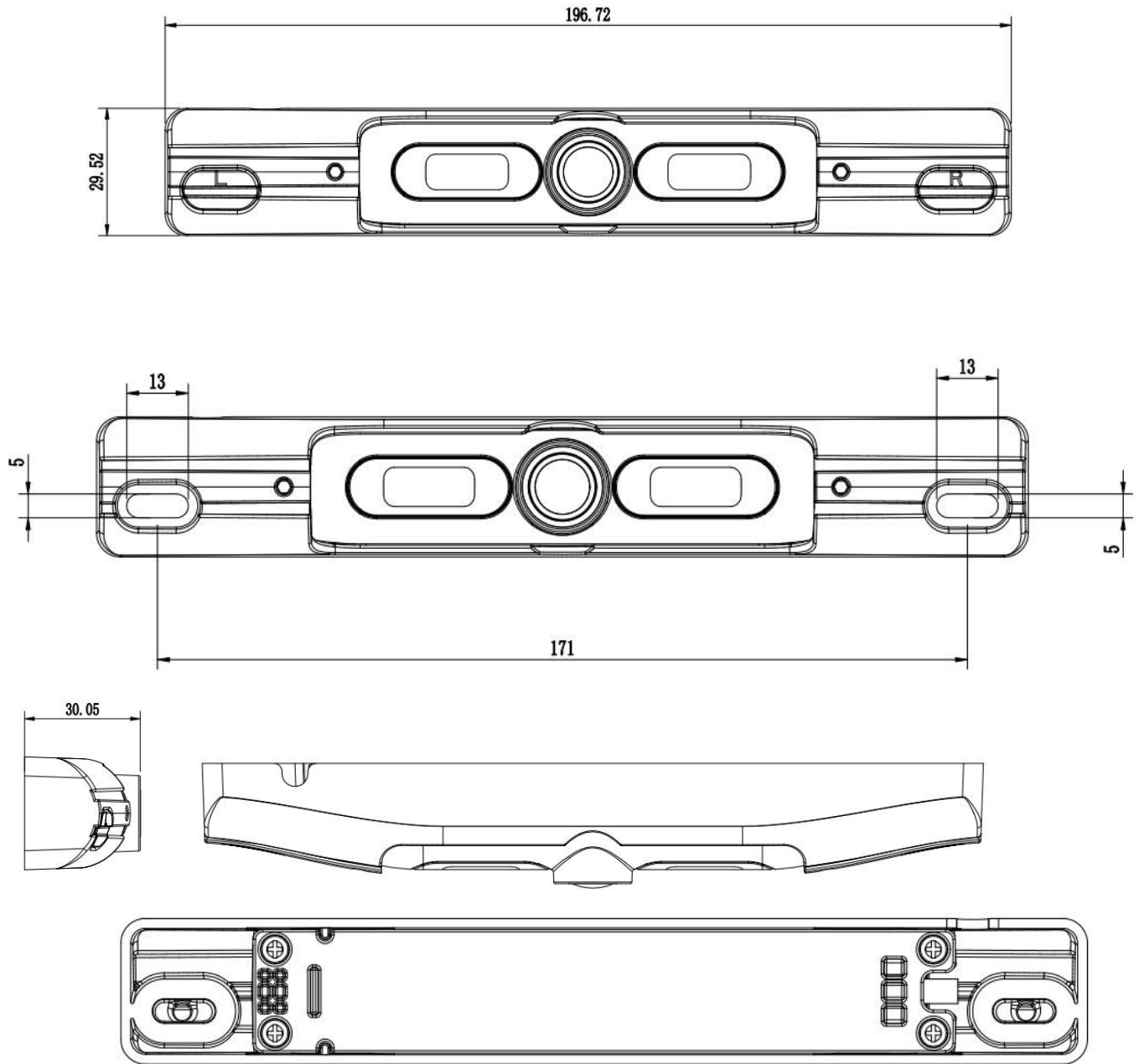
Product picture	Product features
	<ul style="list-style-type: none">● 1/2.9" progressive scan CMOS● Resolution 1920H*1080V● Minimum illumination 0.1lux (Color) 0lux (IR ON)● Electronic shutter (auto), day to night, white balance (auto)● Support wide-angle lens for large monitoring area● IR fill light range 3-5m● Installed at the rear license plate to monitor the rear area of vehicles● Support IP69K, which meets the damping requirement of vehicles

Technical parameters

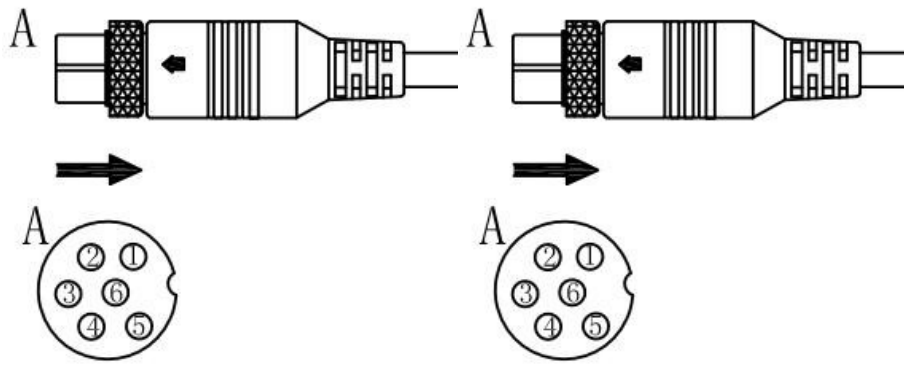
Product model	SVT-953C38
Imaging sensor	1/2.9 " 2.0Mp progressive scan CMOS
Effective pixel	1920 (H)x1080(V)
Signal system	50/60 Hz
Minimum illumination	0.1Lux (Color), 0Lux (IR ON)
Shutter speed	1/30s-1/10000s
Day/night mode	ICR IR filter
Adjustment angle	Up to 30° from the horizon, down to 45° from the horizon
Backlight compensation	Supported
S/N	≥48db
DNR	3D DNR
IR range	3-5m
Lens	2.2mm M12 lens (DFOV: 178°; HFOV: 142°; VFOV: 80°)
Video compression standard	H.264 & H.265
Compression output bitrate	2Kbps-6Mbps
Image resolution	Main stream: 1080P@15fps / 720P@25fps
	Sub-stream: VGA/D1/CIF@15FPS
	Network transmission stream: 6M@10FPS (bitrate adaptive)
Network interface	10M/100M adaptive Ethernet interface (6PIN aviation connector)
Network protocol	HTTP, TCP, UDP, DHCP, NTP, IPV4
N9M	Supported
Client preview	Support IE browser access (plug-in needs to be downloaded from the official website)
Operating temperature	-40°C - + 70°C
Operating humidity	0% - 95%

Power supply	PON(DC12V \pm 10%)
Power consumption (max)	150mA/DC12V \pm 5%
IP rating	IP69K
Installation mode	Support to be installed at the rear license plate
Dimensions	196.7mm*29.5mm*30mm (L*W*H)
Net weight	About 200g

Product dimensions



Interface of video output cable



1---TXN- 2---TXP+ 3---12DC(+)

4---RXN- 5---RXP+ 6---GND