

Wejoin Sliding Gate Operator WJKMP202

WEJOIN

让我们一起努力

www.wejoin.com.cn



Base

Limit Switch

Limit Iron

WJKMP202

Release Key

Gear

Screws

Manual Release

Remote Controller

Sliding Gate Operator

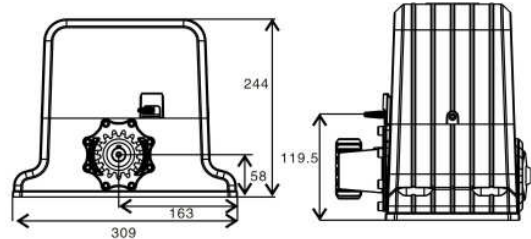
Motor Data

Model Parameters	WJKMP202	
Voltage	220V±10%	110V±10%
Frequency	50Hz	60Hz
Current	2.7A	5.8A
Motor voltage	AC220V/110V	
Capacitor	20µf	60µf+14µf
Output Power	350W	
Absorbed power	594W	638W
Torque	35nm	
Mode number	M=4	
Motor speed	1350rpm	1620rpm
Reduction ratio	23:1	
Gear speed	58.5rpm	70.2rpm
Travel speed	11m/min	13.2m/min
Working temperature	-40℃~+55℃	
Overload protection temperature	130℃	
Motor making technique	Die casting aluminum alloy	
Manual Release	Yes	
Product weight, approx	10.19kg	10.25kg
Max. weight of gate	1800kg	

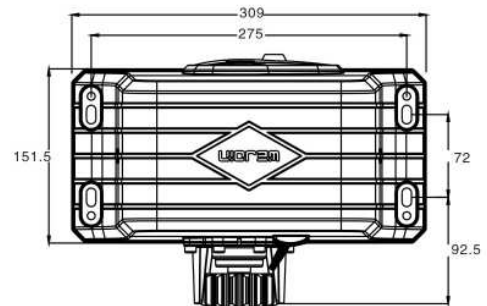
Electronic Data

Model Parameters	WJKMP202
Soft start	YES
Manual release	YES
Reversing on obstacle (sensitivity adjustable)	YES
Auto warming-up (at freezing temperature)	YES
Remote control	418MHz(50m, approx)
Wire control	Available
Auto closing	YES
Vehicle loop detector socket	YES
Photocell socket	YES
Alarm light socket	YES

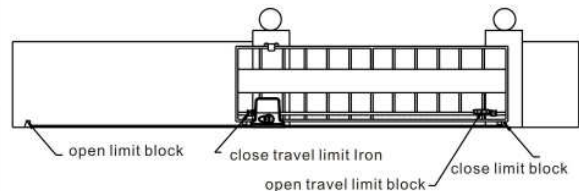
WJKMP202 Dimension



WJKMP202 Dimension



Installation Drawing



Optional Parts

