

# DS-PD2-P12QE-C

## Wired Ceiling Mounted PIR Detector

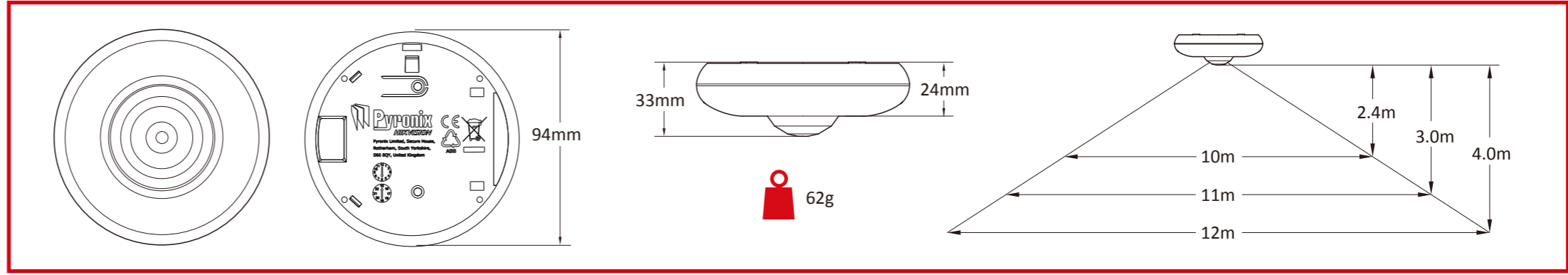


This product and - if applicable - the supplied accessories too are marked with "CE" and comply therefore with the applicable harmonized European standards listed under the EMC Directive 2014/30/EU, the LVD Directive 2014/35/EU, the RoHS Directive 2011/65/EU.



For electrical products sold within the European Community. At the end of the electrical products life, it should not be disposed of with household waste. Please recycle where facilities exist. Check with your local Authority or retailer for recycling advice in your country.

EN50131-2-2:2008  
EN50131-1:2006+A1:2009  
Security Grade (SG) 2  
Environmental Class (EC) II



### Installation

Perform steps one to five. To prevent damage to components, remove static charge on your body before you touch the inside of the product. Do not touch the pyro sensor highlighted in step 2.

Install wires away from mains cabling. Fix the product to solid ceilings that do not vibrate. False alarms may be caused by direct sunlight, pets, heaters, or draughts from open windows. Do not partially or completely obscure the product's field of view.

### EOL resistance

Place two-pin jumpers onto header pins to select the End Of Line (EOL) resistance. Only for EOL wiring applications.

Alarm Tamper

### LED and sensitivity

Place two-pin jumpers onto header pins to enable the LED and adjust sensitivity.

LED Sensitivity

Remotely enabling the LED  
If you disable the product's LED, you can use a control panel to remotely enable the LED for walk tests. To remotely enable the LED, connect the product's LED terminal to a control panel at 0V.

### Wiring

Examples only. See the control panel's manual for more information.

### Specifications

Detectors Technical Characteristics	
Volumetric Coverage	360°, 156 zones, 3 planes
Ceiling Mount PIR	Yes
Quad-Interlocking Element Pyroelectric Sensor	Yes
Independent Floating Threshold (IFT) Technology	Yes
Adjustable Sensitivity	Yes
Automatic Temperature Compensation	Yes
Detectors Technical Characteristic	
Maximum Range	12 m
Alarm Response	2.5 seconds
Detection Speed	0.3-3m/s
Geometric Lens Configuration	3D
Mounting	
Optimal Installation Height	2.4-4m
Electrical	
Power Supply	9-16VDC (12VDC nominal)
Relay Type	Solid state
Outputs Relay	60VDC, 50mA max
Temperature	-10°C to 40°C (Certified)

The Input voltage should meet both the SELV (Safety Extra Low Voltage) and the Limited Power Source according to the IEC60950-1 standard. Please refer to technical specifications for detailed information.

