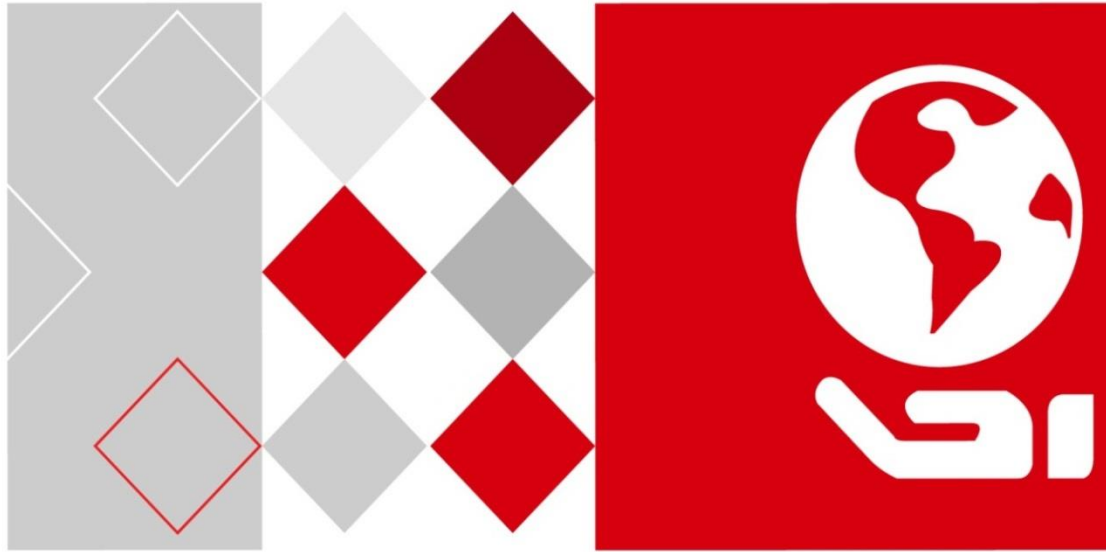


HIKVISION



Distributed Elevator Controller

User Manual

UD03830B

User Manual

This user manual is intended for users of the models below:

Name	Model
Distributed Elevator Controller	DS-K2M0016A

It includes instructions on how to use the Product. The software embodied in the Product is governed by the user license agreement covering that Product.

About this Manual

This Manual is subject to domestic and international copyright protection. Hangzhou Hikvision Digital Technology Co., Ltd. (“Hikvision”) reserves all rights to this manual. This manual cannot be reproduced, changed, translated, or distributed, partially or wholly, by any means, without the prior written permission of Hikvision.

Disclaimer

TO THE MAXIMUM EXTENT PERMITTED BY APPLICABLE LAW, HIKVISION MAKES NO WARRANTIES, EXPRESS OR IMPLIED, INCLUDING WITHOUT LIMITATION THE IMPLIED WARRANTIES OF MERCHANTABILITY AND FITNESS FOR A PARTICULAR PURPOSE, REGARDING THIS MANUAL. HIKVISION DOES NOT WARRANT, GUARANTEE, OR MAKE ANY REPRESENTATIONS REGARDING THE USE OF THE MANUAL, OR THE CORRECTNESS, ACCURACY, OR RELIABILITY OF INFORMATION CONTAINED HEREIN. YOUR USE OF THIS MANUAL AND ANY RELIANCE ON THIS MANUAL SHALL BE WHOLLY AT YOUR OWN RISK AND RESPONSIBILITY.

REGARDING TO THE PRODUCT WITH INTERNET ACCESS, THE USE OF PRODUCT SHALL BE WHOLLY AT YOUR OWN RISKS. OUR COMPANY SHALL NOT TAKE ANY RESPONSIBILITIES FOR ABNORMAL OPERATION, PRIVACY LEAKAGE OR OTHER DAMAGES RESULTING FROM CYBER ATTACK, HACKER ATTACK, VIRUS INSPECTION, OR OTHER INTERNET SECURITY RISKS; HOWEVER, OUR COMPANY WILL PROVIDE TIMELY TECHNICAL SUPPORT IF REQUIRED.

SURVEILLANCE LAWS VARY BY JURISDICTION. PLEASE CHECK ALL RELEVANT LAWS IN YOUR JURISDICTION BEFORE USING THIS PRODUCT IN ORDER TO ENSURE THAT YOUR USE CONFORMS THE APPLICABLE LAW. OUR COMPANY SHALL NOT BE LIABLE IN THE EVENT THAT THIS PRODUCT IS USED WITH ILLEGITIMATE PURPOSES.

IN THE EVENT OF ANY CONFLICTS BETWEEN THIS MANUAL AND THE APPLICABLE LAW, THE LATER PREVAILS.

Support

Should you have any questions, please do not hesitate to contact your local dealer.

Regulatory Information

Please take attention that changes or modification not expressly approved by the party responsible for compliance could void the user's authority to operate the equipment.

FCC compliance: This equipment has been tested and found to comply with the limits for a Class B digital device, pursuant to part 15 of the FCC Rules. These limits are designed to provide reasonable protection against harmful interference in a residential installation. This equipment generates, uses and can radiate radio frequency energy and, if not installed and used in accordance with the instructions, may cause harmful interference to radio communications. However, there is no guarantee that interference will not occur in a particular installation. If this equipment does cause harmful interference to radio or television reception, which can be determined by turning the equipment off and on, the user is encouraged to try to correct the interference by one or more of the following measures:


- Reorient or relocate the receiving antenna.
- Increase the separation between the equipment and receiver.
- Connect the equipment into an outlet on a circuit different from that to which the receiver is connected.
- Consult the dealer or an experienced radio/TV technician for help.


FCC Conditions


This device complies with part 15 of the FCC Rules. Operation is subject to the following two conditions:

1. This device may not cause harmful interference.
2. This device must accept any interference received, including interference that may cause undesired operation.

EU Conformity Statement

 This product and - if applicable - the supplied accessories too are marked with "CE" and comply therefore with the applicable harmonized European standards listed under the EMC Directive 2014/30/EU, LVD Directive 2014/35/EU, the RoHS Directive 2011/65/EU.

 2012/19/EU (WEEE directive): Products marked with this symbol cannot be disposed of as unsorted municipal waste in the European Union. For proper recycling, return this product to your local supplier upon the purchase of equivalent new equipment, or dispose of it at designated collection points. For more information see: www.recyclethis.info

 2006/66/EC (battery directive): This product contains a battery that cannot be disposed of as unsorted municipal waste in the European Union. See the product documentation for specific battery information. The battery is marked with this symbol, which may include lettering to indicate cadmium (Cd), lead (Pb), or mercury (Hg). For proper recycling, return the battery to your supplier or to a designated collection point. For more information see: www.recyclethis.info



Safety Instruction

These instructions are intended to ensure that user can use the product correctly to avoid danger or property loss.

The precaution measure is divided into **Warnings** and **Cautions**:

Warnings: Neglecting any of the warnings may cause serious injury or death.

Cautions: Neglecting any of the cautions may cause injury or equipment damage.

	
Warnings Follow these safeguards to prevent serious injury or death.	Cautions Follow these precautions to prevent potential injury or material damage.



Warnings

- All the electronic operation should be strictly compliance with the electrical safety regulations, fire prevention regulations and other related regulations in your local region.
- Please use the power adapter, which is provided by normal company. The power consumption cannot be less than the required value.
- Do not connect several devices to one power adapter as adapter overload may cause over-heat or fire hazard.
- Please make sure that the power has been disconnected before you wire, install or dismantle the device.
- When the product is installed on wall or ceiling, the device shall be firmly fixed.
- If smoke, odors or noise rise from the device, turn off the power at once and unplug the power cable, and then please contact the service center.
- If the product does not work properly, please contact your dealer or the nearest service center. Never attempt to disassemble the device yourself. (We shall not assume any responsibility for problems caused by unauthorized repair or maintenance.)



Cautions

- Do not drop the device or subject it to physical shock, and do not expose it to high electromagnetism radiation. Avoid the equipment installation on vibrations surface or places subject to shock (ignorance can cause equipment damage).
- Do not place the device in extremely hot (refer to the specification of the device for the detailed operating temperature), cold, dusty or damp locations, and do not expose it to high electromagnetic radiation.
- The device cover for indoor use shall be kept from rain and moisture.
- Exposing the equipment to direct sun light, low ventilation or heat source such as heater or radiator is forbidden (ignorance can cause fire danger).
- Do not aim the device at the sun or extra bright places. A blooming or smear may occur otherwise (which is not a malfunction however), and affecting the endurance of sensor at the same time.
- Please use the provided glove when open up the device cover, avoid direct contact with the device cover, because the acidic sweat of the fingers may erode the surface coating of the device cover.
- Please use a soft and dry cloth when clean inside and outside surfaces of the device cover, do not use alkaline detergents.
- Please keep all wrappers after unpack them for future use. In case of any failure occurred, you need to return the device to the factory with the original wrapper. Transportation without the original wrapper may result in damage on the device and lead to additional costs.
- Improper use or replacement of the battery may result in hazard of explosion. Replace with the same or equivalent type only. Dispose of used batteries according to the instructions provided by the battery manufacturer.

Contents

Chapter 1	Overview.....	1
1.1	Introduction	1
1.2	Main Features	1
Chapter 2	Appearance.....	2
2.1	Device Appearance Introduction	2
2.2	Indicator Introduction.....	3
2.3	DIP Switch Introduction	3
Chapter 3	Installation.....	4
3.1	Installation without Case	4
3.2	Installation with Case.....	4
Chapter 4	Device Wiring.....	6
Chapter 5	Appendix: Device Dimensions	7

Chapter 1 Overview

1.1 Introduction

The elevator controller contains master elevator controller and distributed elevator controller. It can be applied to buildings, public areas and so on. The distributed elevator controller can communicate with the master elevator controller and the relay via RS-485. You can also control the distributed elevator controller by the web client, iVMS-4200 client software and other systems through the master elevator controller.

1.2 Main Features

- RS-485 communication with the master elevator controller.
- DIP switch settings for device address.
- Connectable with up to 16 relays to control the floor buttons in the elevator. Three types of relays are supported: Button Relay, Call Elevator Relay and Auto Button Relay.
- Remote control of the distributed elevator controlling via the web client, the iVMS-4200 client software, or other systems through the master elevator controller.
- Linkage of the master elevator controller to report the event to the system.

Chapter 2 Appearance

2.1 Device Appearance Introduction

The device appearance introduction is shown as follows:

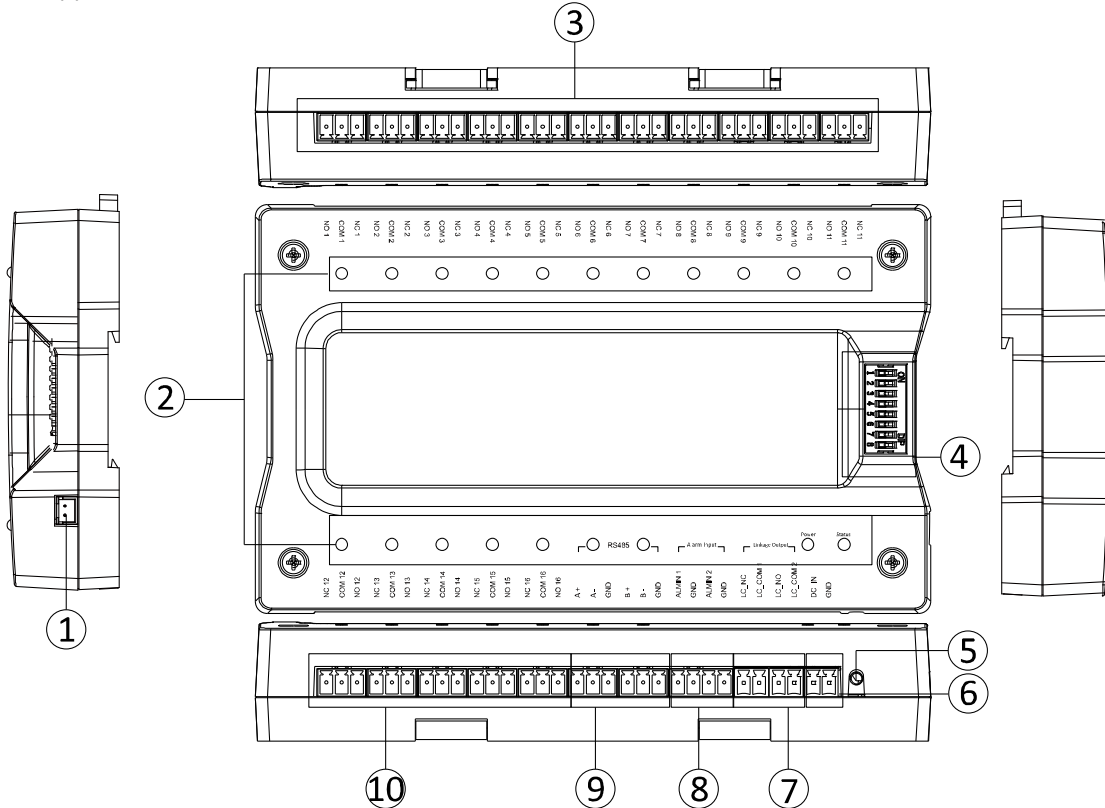


Table 2. 1 Device Appearance Description

No.	Description
1	Tamper-Proof Interface
2	Indicator
3	Relay Terminal
4	DIP Switch
5	GND Thread Interface
6	Power Input (12VDC)
7	Linkage Output Terminal
8	Alarm Input Terminal
9	RS-485 Terminal
10	Relay Terminal

2.2 Indicator Introduction

The indicator information is as follows:

Table 2. 2 Indicator Description

Description	Indicator
Relay NC Closed	Off
Relay NO Closed	Solid Green
Serial Port Not Communicating	Off
Serial Port Communicating	Solid Green
Power On	Solid Green
Running Properly	Flashing Green
Running Exception	Solid Red

2.3 DIP Switch Introduction

The DIP switch module is shown below. The No. of DIP switch from left to right is 1 to 8.

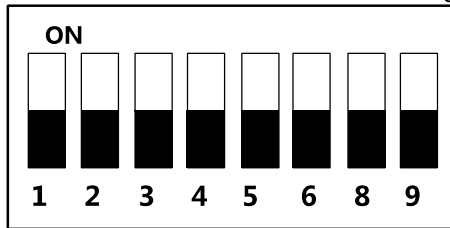
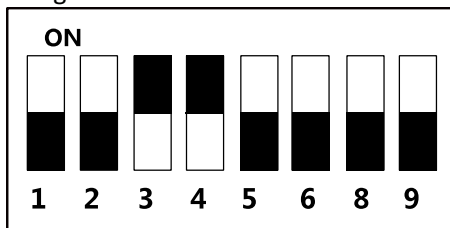


Table 2. 3 Description of DIP Switch

Icon	Description
	Represent 1 in binary mode
	Represent 0 in binary mode

For example, binary value of the following status is: 0011 0000.



DIP Switch Module

Table 2. 4 Description of DIP Switch Address

No.	Description
1 to 6	Address of Distributed Elevator Controller
7	Reserved
8	NO/NC Status Reversal

Chapter 3 Installation

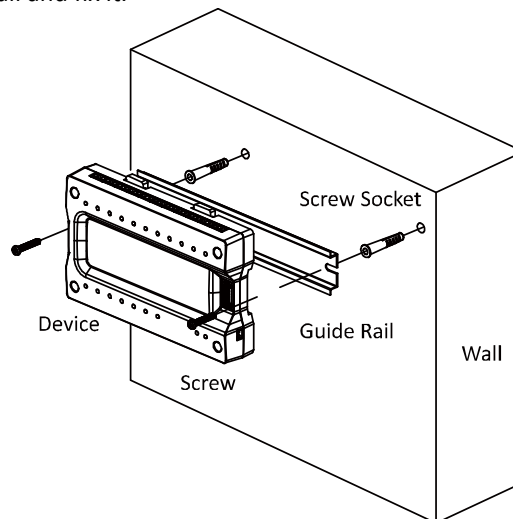
Before your start:

- The minimum bearing weight of the wall or other places should be three times heavier than the device weight.
- Dial-up before you install. For details, see Section 2.3 DIP Switch Introduction.

3.1 Installation without Case

Steps:

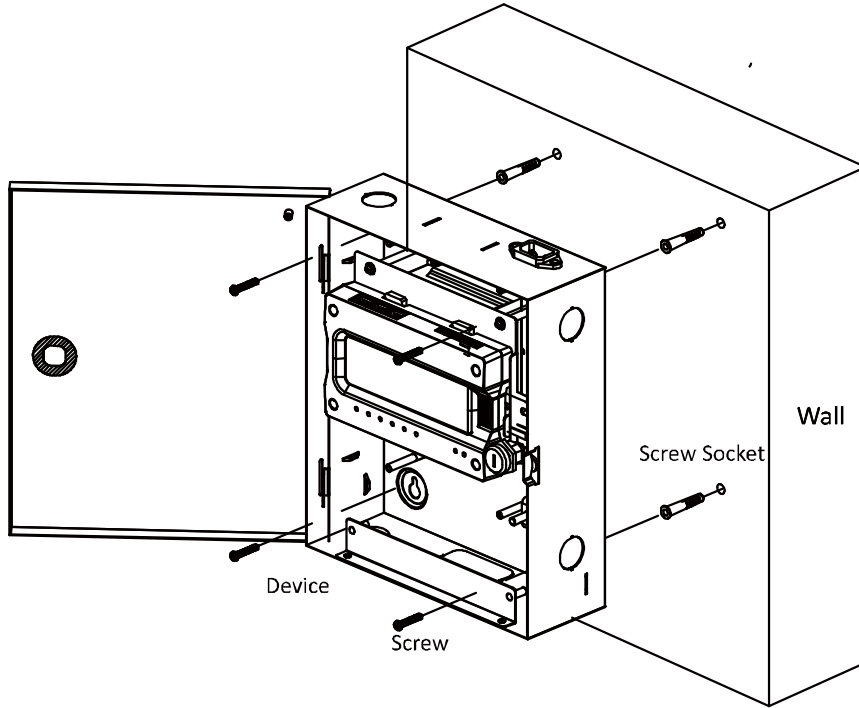
1. Drill holes on the wall or other places according to the holes on the guide rail.
2. Insert the screw sockets of the setscrews (supplied) in the drilled holes.
3. Secure the guide rail on the wall or other places with the screws (supplied).
4. Push the device to the guide rail and fix it.



3.2 Installation with Case

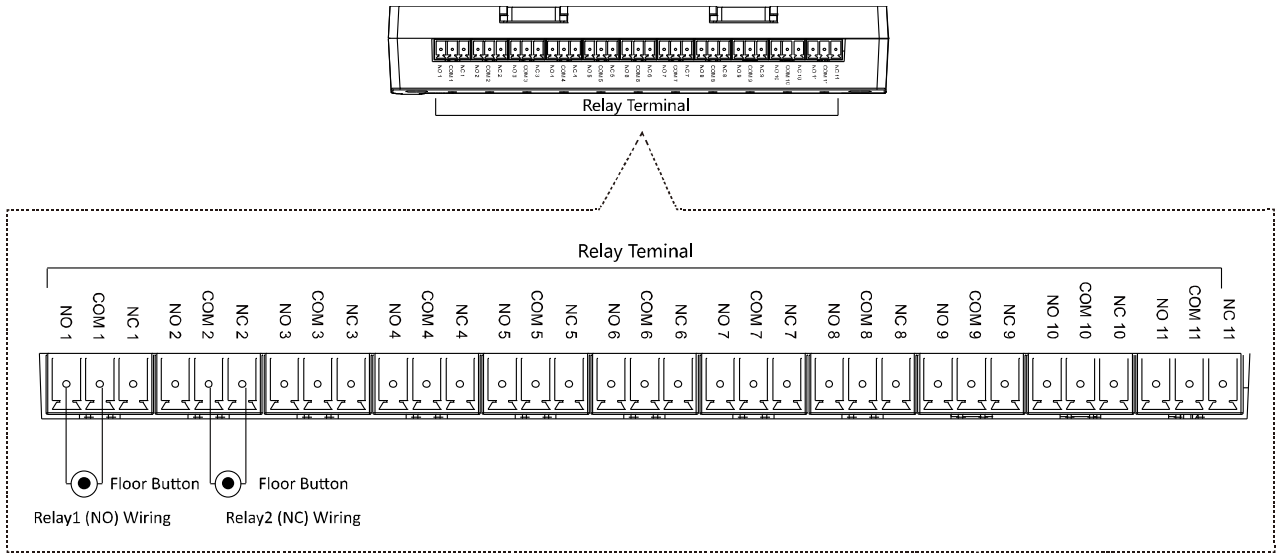
Steps:

1. Drill holes on the wall or other places according to the holes on the case.
2. Insert the screw sockets of the set screws (supplied) in the drilled holes.
3. Secure the case on the wall or other places with the screws (supplied).



Chapter 4 Device Wiring

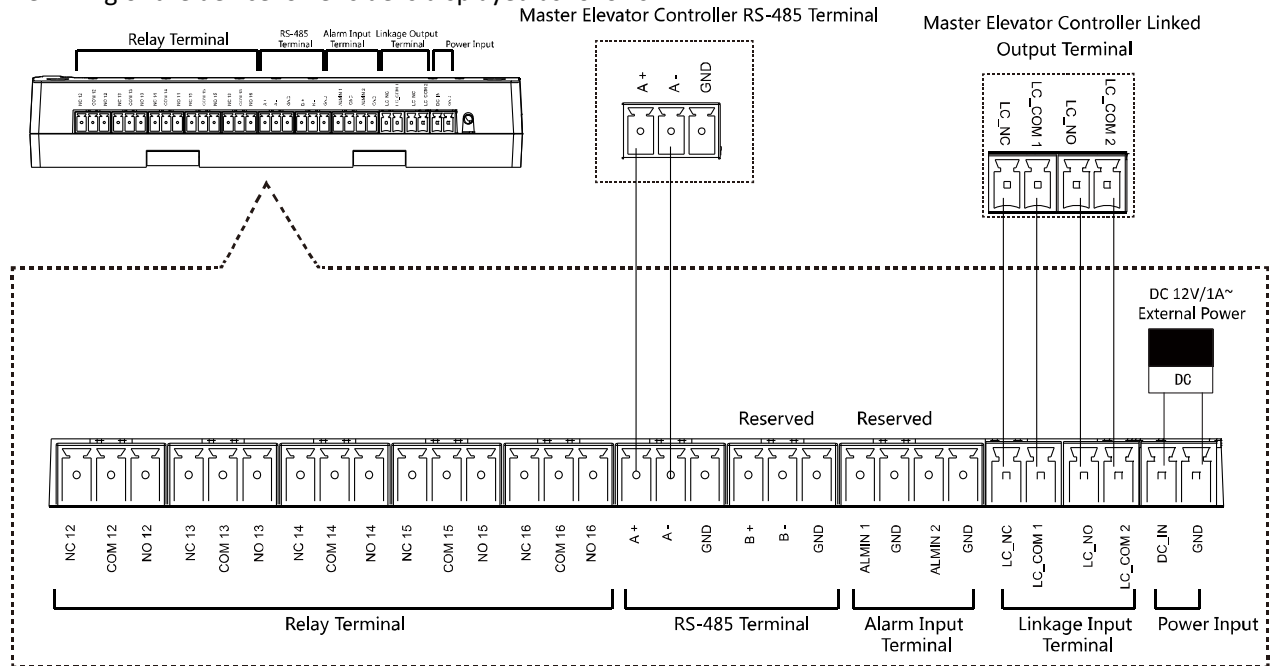
The wiring of the device upper side is as follows:



Notes:

- **Relay NO Wiring:** Wire the call elevator distributed controller and the call elevator relay, or wire the auto button distributed controller and the auto button relay to make sure the call elevator control and the auto button elevator control is invalid when powering off. The elevator will not stay between floors.
- **Relay NC Wiring:** Wire the button distributed controller and the button relay to make sure all buttons are valid when powering off.

The wiring of the device lower side is displayed as follows:

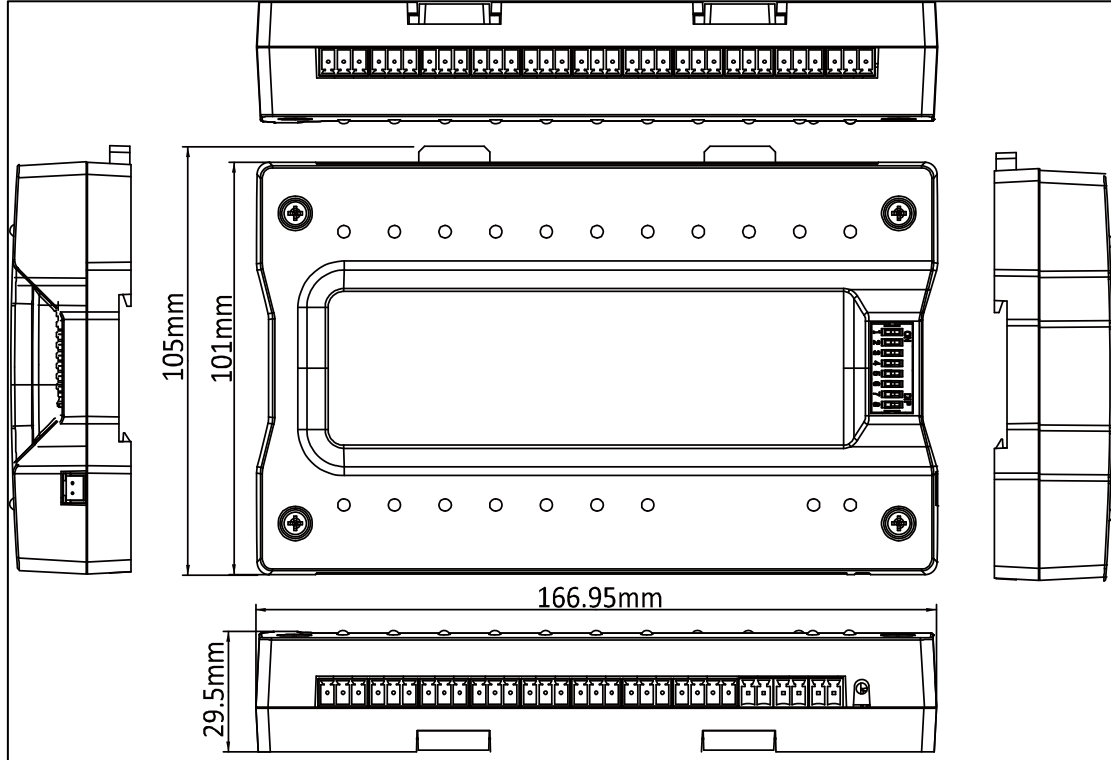


Notes:

- Up to 16 relays can be connected.
- Relay No. = Distributed Controller Dial-up No. + Relay Serial No.

Chapter 5 Appendix: Device Dimensions

The device dimensions are as follows:



0100001061205



First Choice for Security Professionals