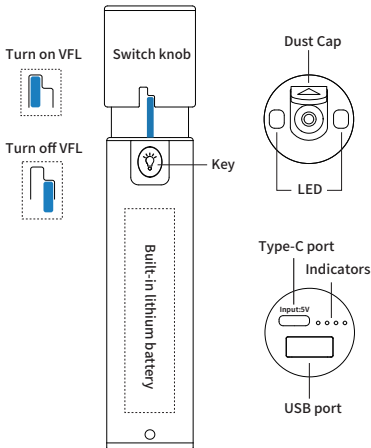


Key and instructions



Note: Improper operation will cause device damage, so please:

1. Use superior fiber pigtail or patch cord;
2. Keep the connector well polished;
3. Make fiber connector vertically insert and pull out.

Operating instructions

1. Turn on / turn off the VFL

Turn on: Rotate the switch knob and press it to the bottom to turn on the VFL.

Turn off: Push the switch knob upward and rotate it to the buckle, turn off the VFL.

Switching mode: when VFL is on, short press the key to switch the CW/1Hz/2Hz output mode.

2. Turn on / turn off the flashlight

Long press the key for more than 2 seconds to turn on or off the flashlight.

3. Turn on / turn off the power bank

When the VFL is turned off, short press the key once to start USB output. The four LED indicators indicate the battery power. Then quickly press the key twice to turn off the USB output and the LED indicator goes out.

4. Charge

Use the adapter and type-C charging cable, connect the input-5V port to charge, and the LED indicators light up and indicate the power.

Technical indicators

VFL				
Power	≥ 15mW	≥ 20mW	≥ 30mW	≥ 50mW
Measuring length (Typ.)	8-10km	≥ 10km	≥ 10km	≥ 10km
Mode	CW/1Hz/2Hz			
Wavelength	650±20nm			
LED	2 pcs			
Fiber type	SM/MM			
Connector	FC, SC, ST			
Power supply	3.7V, 18650 Li-battery (1800mAh)			
Operating temperature	-10°C→+50°C			
Storage temperature	-40°C→+70°C			
Relative humidity	0-95%RH, no condensation			
Weight	200g			
Size	148mm×29mm×29mm			
Note: the measured length will vary due to the actual fiber quality.				

Warranty Ordinance

In order to protect your legitimate rights and interests and improve the after-sales service to customers, this warranty regulation is specially formulated. Please read it carefully and welcome your valuable comments and suggestions.

1. The product is guaranteed free of charge for 18 months from the date of purchase, and if it exceeds the warranty period, it will be considered as a failure and charged zero attachment cost.

2. During the free warranty period, the company has the right to refuse the warranty service and charge the original maintenance fee and service fee as appropriate.

A: User's incorrect operation results in product failure.

B: Burning accident caused by lightning strike or improper installation;

C: Unauthorized disassembly of equipment for maintenance;

3. Please pack and deliver the repaired products properly. If there is any damage or loss in the process of delivery, the company will not be responsible for it.

4. Please read the manual carefully before using our products.

Standard configuration

Host (including battery), data cable, User's manual, certificate / warranty card, lanyard

The logo for linkedpro, featuring the word "linked" in a bold, black, sans-serif font, followed by "pro" in a blue, stylized font where the letters are interconnected.

Certificate
of Quality

QC:011

Optical fiber Visual Fault Location User's Manual

The logo for linkedpro, featuring the word "linked" in a bold, black, sans-serif font, followed by "pro" in a blue, stylized font where the letters are interconnected.