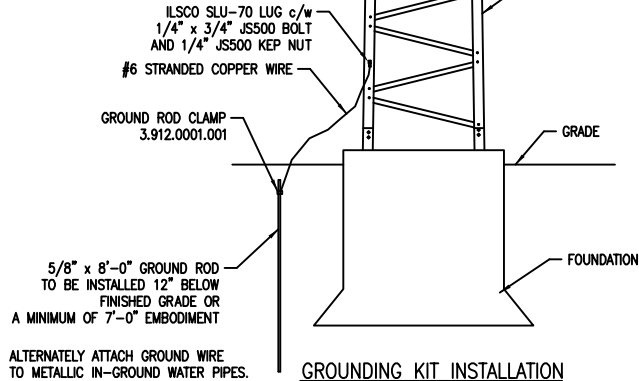
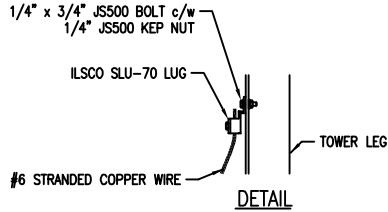



GROUNDING KIT P/N 4.91.0101.000		
QUANTITY	PART NO.	DESCRIPTION
1	3.912.0006.001	5/8"ϕ x 8' Lg. GROUND ROD
3	1301404	#6 B.S.C. WIRE
1	1302090	ILSCO SLU-70 LUG
1	1205011	1/4" x 3/4" JS500 BOLT
1	1205020	1/4" JS500 KEP NUT
1	3.912.0001.001	GROUND ROD CLAMP
1	1201091	7/16" x 1-1/4" GR.5 HEX HEAD BOLT
1	1201080	7/16" GR.5 HEX NUT



REV.	BY: REV.	BY: CHK.	DESCRIPTION	DATE

REFERENCE DRAWINGS:	
DRAWING NUMBER	DRAWING NUMBER

CONFIDENTIAL: ALL INTELLECTUAL PROPERTY RIGHTS HEREIN ARE THE PROPERTY OF TRYLON INC. ALL DUPLICATION, RECORDING, DISCLOSURE OR USE IS PROHIBITED WITHOUT WRITTEN CONSENT OF TRYLON INC.



DRAWING NO. 000001.610.0022

CUSTOMER: SITE: SCALE: 40.000

DATE: 28 JAN 00 BY: BCP CHK: APP:

TITLE: GROUNDING KIT

NOTES: