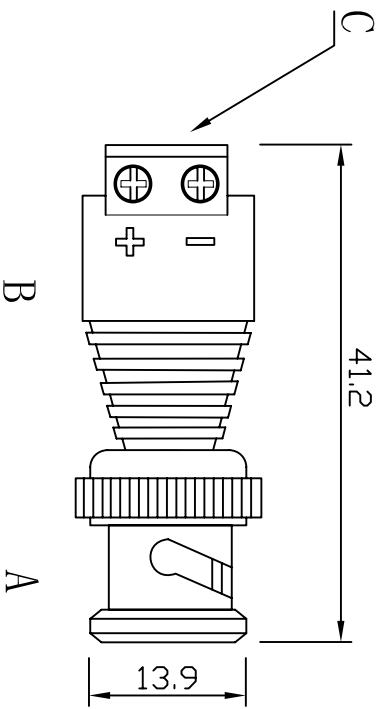


Version	Explain	Date
A		2014.12.09



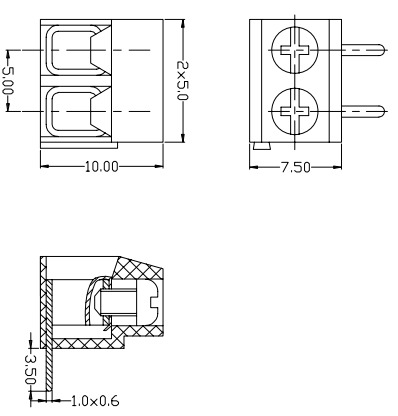
A:Material & Plating

- Elastic Parts:
 - beryllium bronze, gold-plated
 - phosphor bronze, silver plated
- Inelastic Parts: Nickel-plated brass
- Insulating Medium: PTFE
- Sealing Ring: Silicone rubber

B: PVC-45P-black

C:

Material
 Housing: 0A66 UL94V-0
 Pin header: Brass, Tin-Plated
 Screww: Steel, ZincPlated
 Electrical
 Rated Voltage: 300V
 Rated current: 10A
 Contact resistance: 20mΩ
 Withstanding Voltage: 2000V/Min
 Insulation Resistance: 5000mΩ/DC1000V
 Mechanical&operating ambient
 Wire Range : 26-14AWG
 Strip length: 6-7mm
 Temp. Range: -40° C/+105° C
 AX soldering: +250° C 5Sec



general	CUSTOMER:	CUST NO:		
tolerance	PRODUCT NO:	PART NO:	TT-RG17	
X	±0.1			
X X	±0.05			
X XX	±0.005			
X XXX	±0.0002			
	BNC Macho con terminales tipo tornillo			
	DRAWN BY	DRAWING SIZE	1:1	A1
	CHECKED BY	UNIT	mm	
	APPROVED BY	PAGE	1 OF 1	
	SORTING NO.			

