



EPCOM syscom

1630 Paisano Dr.
El Paso. Tx 79901.

Ph (915)533-5119
www.epcom.net

SYSCOM

Ave 20 de Noviembre No. 805
Col. Centro Chihuahua, Chih. 31000

Tel 052 (614) 415 – 2525
www.syscom.mx

T91067405 Microphone Replacement for TK-2000/3000

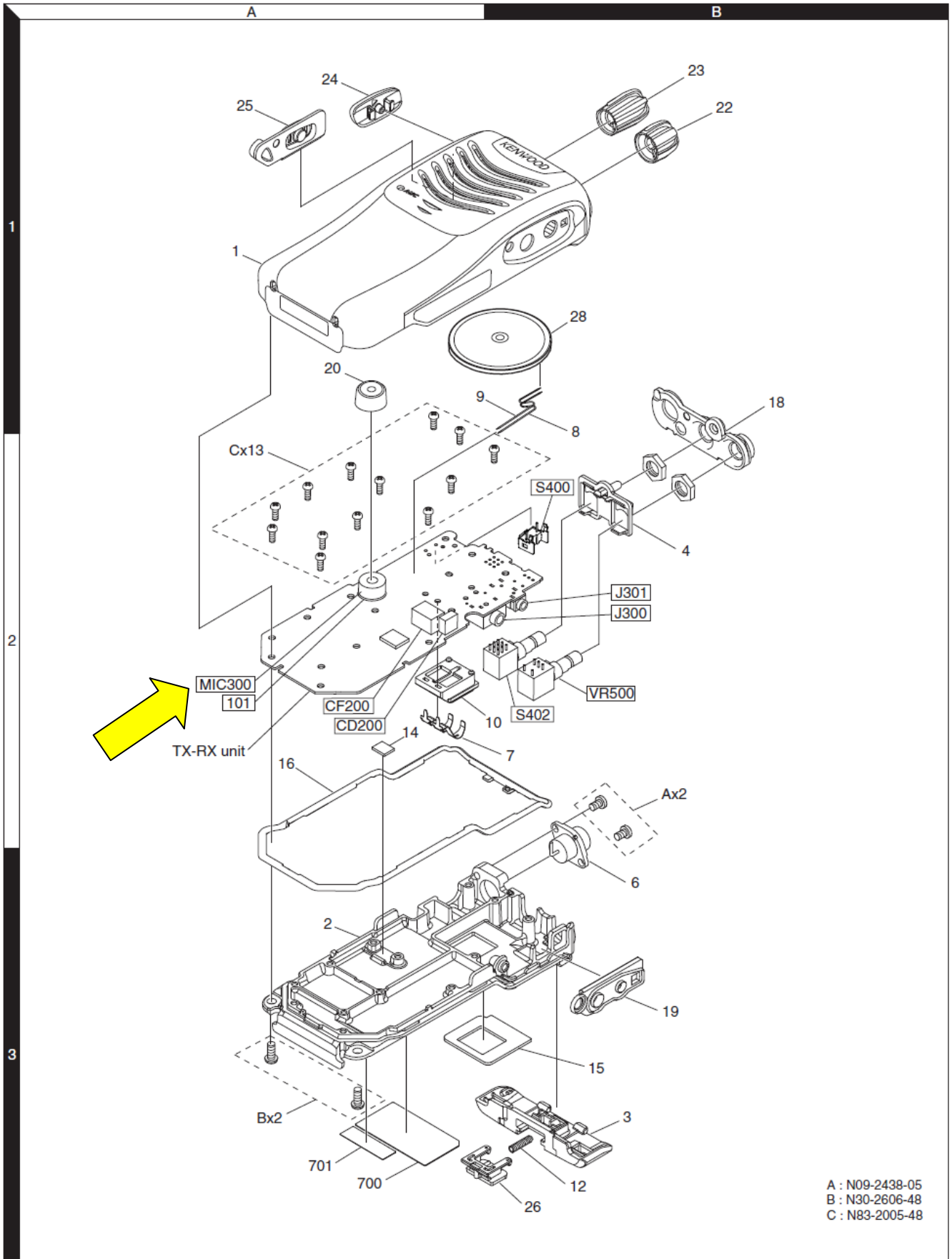
Micrófono de Reemplazo

TK-3000

PARTS LIST

TX-RX UNIT (X57-8103-XX)

Ref. No.	Address	New parts	Parts No.	Description	Desti-nation	Ref. No.	Address	New parts	Parts No.	Description	Desti-nation
R347			RK73HB1J103J	CHIP R 10K J 1/16W		MIC300	2A		T91-0674-05	MIC ELEMENT	
R348			RK73HB1J563J	CHIP R 56K J 1/16W		D1			DA2S101	DIODE	
R350			RK73HB1J471J	CHIP R 470 J 1/16W		D2 ,3			1SV325F	VARIABLE CAPACITANCE DIODE	
R351			RK73HB1J181J	CHIP R 180 J 1/16W		D4			HSC277	DIODE	
R352			RK73HB1J104J	CHIP R 100K J 1/16W		D5 ,6			HVC350B	VARIABLE CAPACITANCE DIODE	
R353			RK73HB1J102J	CHIP R 1.0K J 1/16W		D7 ,8			DA2S101	DIODE	
R354			RK73HB1J334J	CHIP R 330K J 1/16W		D100			HSC277	DIODE	
R355			RK73HB1J473J	CHIP R 47K J 1/16W		D101,102			HVC131	DIODE	
R356			RK73HB1J183J	CHIP R 18K J 1/16W		D103,105			HVC131	DIODE	
R357			RK73HB1J564J	CHIP R 560K J 1/16W		D200			HSC277	DIODE	
R358			RK73HB1J473J	CHIP R 47K J 1/16W		D201,202			HVC350B	VARIABLE CAPACITANCE DIODE	M2
R360			RK73HB1J184J	CHIP R 180K J 1/16W	K,M	D201,202			HVC355B	VARIABLE CAPACITANCE DIODE	K,M
R360			RK73HB1J224J	CHIP R 220K J 1/16W	M2	D204			HVC355B	VARIABLE CAPACITANCE DIODE	K,M
R361			RK73HB1J821J	CHIP R 820 J 1/16W		D260,261			HVC350B	VARIABLE CAPACITANCE DIODE	M2
R363			RK73HB1J562J	CHIP R 5.6K J 1/16W		D260,261			HVC355B	VARIABLE CAPACITANCE DIODE	K,M
R364			RK73HB1J471J	CHIP R 470 J 1/16W		D301			KDR731	DIODE	
R365			RK73HB1J000J	CHIP R 0 J 1/16W		D402			DA2S101	DIODE	
R366			RK73HB1J104J	CHIP R 100K J 1/16W		D500			GN1G	DIODE	
R367			RK73HB1J473J	CHIP R 47K J 1/16W		D501			RB521S-30	DIODE	
R369			RK73HB1J103J	CHIP R 10K J 1/16W		IC1			MB15E03SL-E1	MOS-IC	
R370			RK73HH1J473D	CHIP R 47K D 1/16W		IC200			NJM2591V	BI-POLAR IC	
R371			RK73HB1J182J	CHIP R 1.8K J 1/16W	K,M	IC300			R2A20178NP	DAC-IC	
R371			RK73HB1J822J	CHIP R 8.2K J 1/16W	M2	IC301			NJM12904RB1	MOS-IC	
R372			RK73HH1J473D	CHIP R 47K D 1/16W		IC302			TA7368PL	MOS-IC	
R373			RK73HB1J000J	CHIP R 0 J 1/16W		IC303-305			NJM12904RB1	MOS-IC	
R374			RK73HH1J473D	CHIP R 47K D 1/16W		IC400			F2136ACNKDRB	MCU	
R375			RK73HB1J103J	CHIP R 10K J 1/16W		IC401			EX24016ATAS0A	ROM IC	
R376			RK73HH1J473D	CHIP R 47K D 1/16W		IC500			XC6120N302N-G	MOS-IC	
R377			RK73HB1J393J	CHIP R 39K J 1/16W		IC501			XC6209B502P-G	MOS-IC	
R378			RK73HB1J102J	CHIP R 1.0K J 1/16W							



A : N09-2438-05
 B : N30-2606-48
 C : N83-2005-48