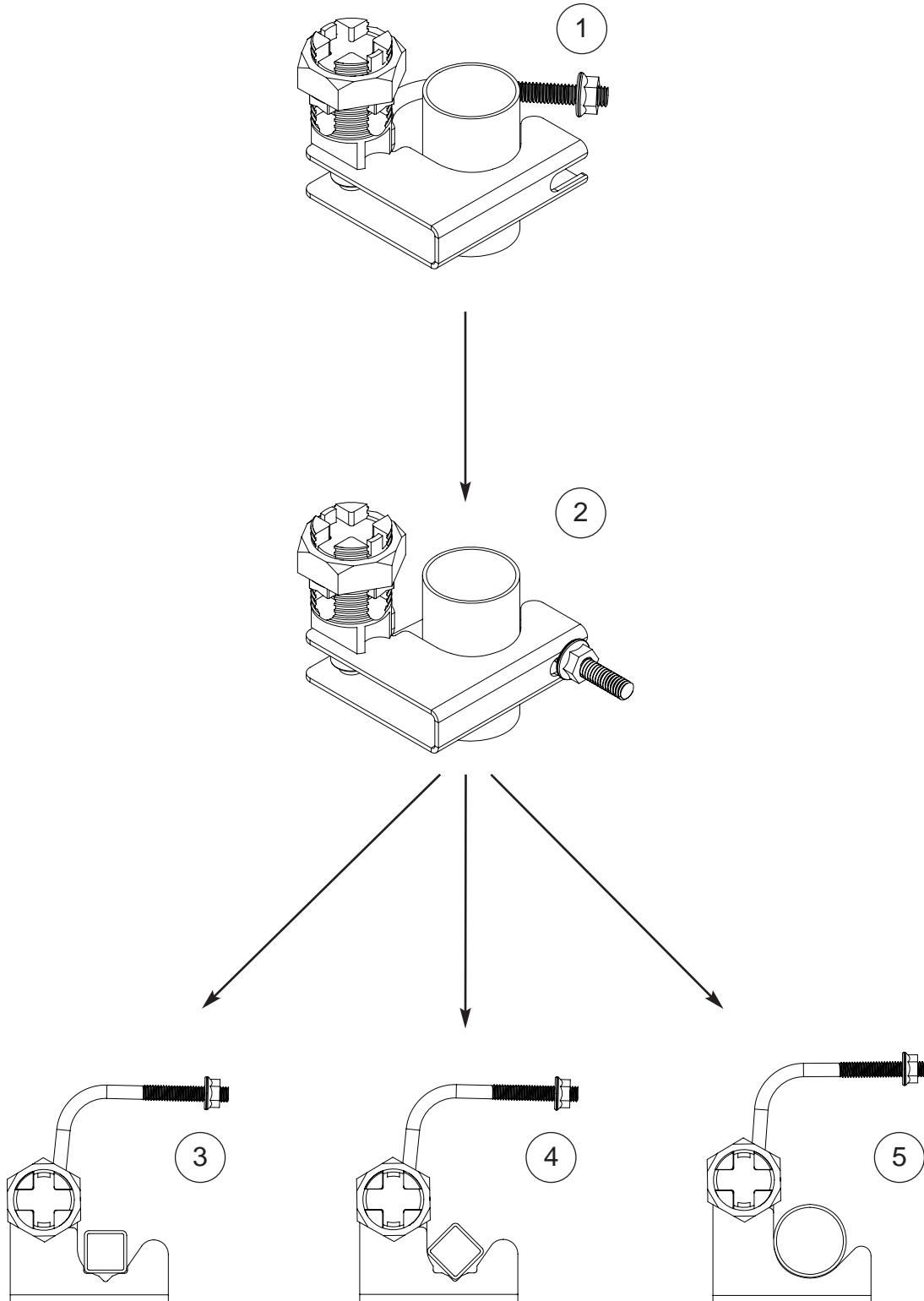




**STRUCTUREDGROUND Access Floor Grounding Clamp**  
Part Numbers: GPQC07-1/0, GPQC10-1/0, GPQC12-1/0,  
GPQC15-1/0, GPQC17-1/0 and GPQC20-1/0

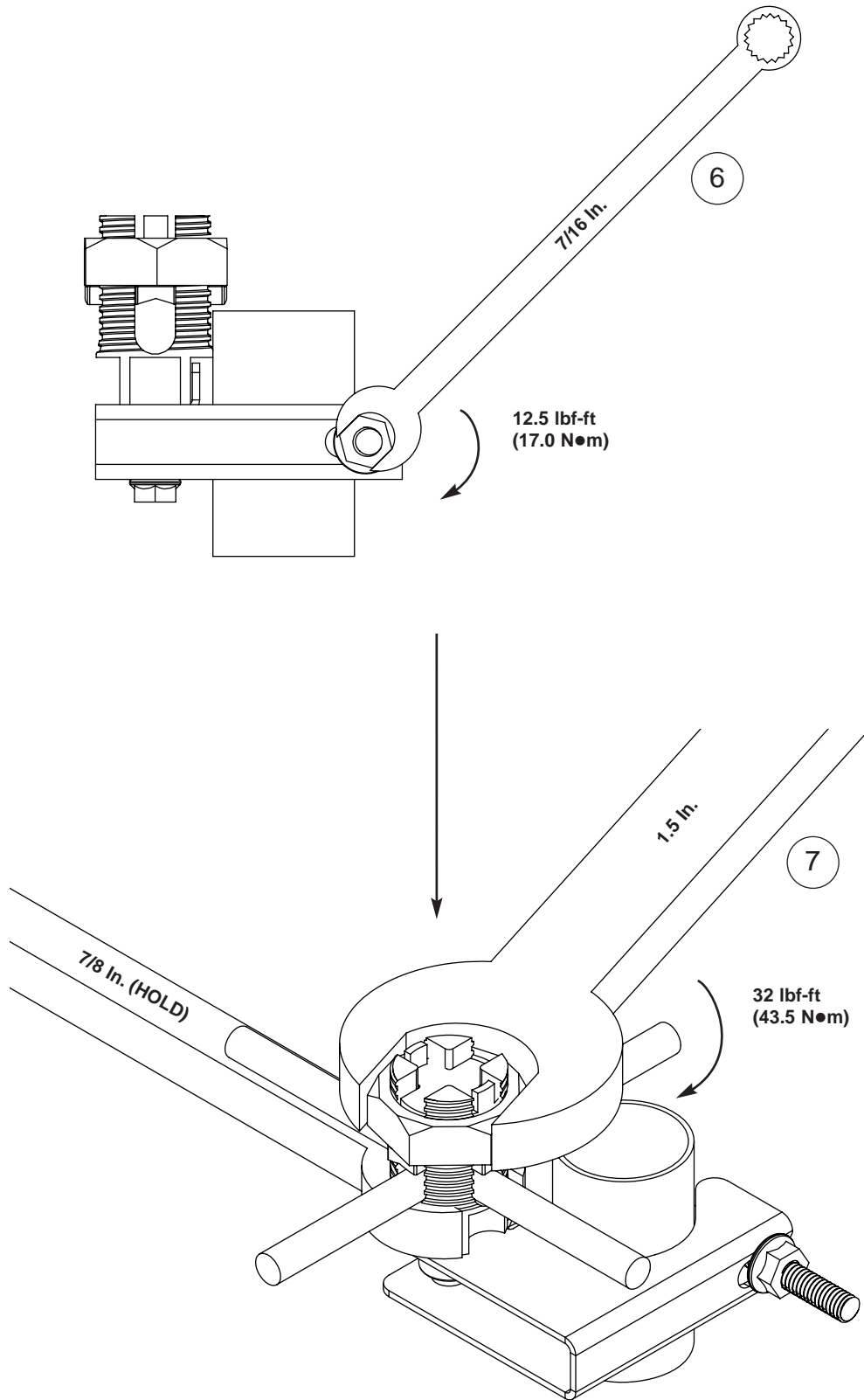
**INSTALLATION INSTRUCTIONS T-PMPI-287-PC**

© PANDUIT Corp. 2008



**For Technical Support: [www.panduit.com/resources/install\\_maintain.asp](http://www.panduit.com/resources/install_maintain.asp)**

# INSTALLATION INSTRUCTIONS T-PMPI-287-PC



The pedestal bonded to the clamp is not intended to serve as a grounding conductor.

For Instructions in Local Languages  
and Technical Support:  
[http://www.panduit.com/resources/install\\_maintain.asp](http://www.panduit.com/resources/install_maintain.asp)



E-mail:  
cs@panduit.com  
Fax:  
(815)485-5839