

AE-MD5043-SD(LITE) Mobile Video Recorder

AE-MD5043-SD(LITE) series DVR is designed for vehicle video and audio management using embedded Linux operating system. It supports the mixed access of HDTV, AHD and CVBS cameras in HIK-wiring-sequence, with video and audio encoding/decoding, 4G wireless network transmission, satellite positioning, data secure storage, alarm triggering and other functions. It also provides channel selection and coding scheme, which especially suitable for the video and audio monitoring needs for scenes like taxis, muck trucks, logistics vehicles etc. To meet the needs of long - time video recording, it adopts dual SD card for storage.



▪ Application

The anti-corrosion performance level of AE-MD5043-SD series DVR is standard. It is suitable for regular scenarios only and might be damaged when exposed to corrosive environment. Description of anti-corrosion performance level:

Anti-corrosion Performance	Application
Professional	Coastal areas, wharfs, ports, ships and chemical factories, etc.
High	Areas exposed to acid rain; areas over 1.24 miles (1 km) away from the coastline
Standard	Regular environment with little corrosion exposure

▪ Key Feature

- Access of 4 HD TVI cameras with up to 1080p resolution.
- Support 1 IPC (please contact the product manager for model selection)
- 2 SD cards accessible. Up to 512 GB capacity for each.
- Support recording backup on redundant SD cards.
- User-friendly GUI providing easy and flexible operations.
- Built-in 4G module providing flexible data transmission solutions.
- Built-in GPS module precisely positioning the vehicle via the satellite and recording the location information in the video stream.
- Information collection interfaces collecting driving information such as left/right turn, braking, reversing, etc.
- Specialized aviation connectors ensuring signal stability.
- Shutdown delay (0 h to 6 h) and 24-hour scheduled startup/shutdown.
- Build-in super-capacitor prevents the mobile DVR from damage caused by sudden power outage.
- Wide-range power input (+9 VDC to +32 VDC).
- Power-off protection prevents key data loss.
- Aluminum die-cast chassis with no fan design well adaptable to working environment.
- Software-based firewall supported.
- Support accessing via WEB browser.



▪ Specification

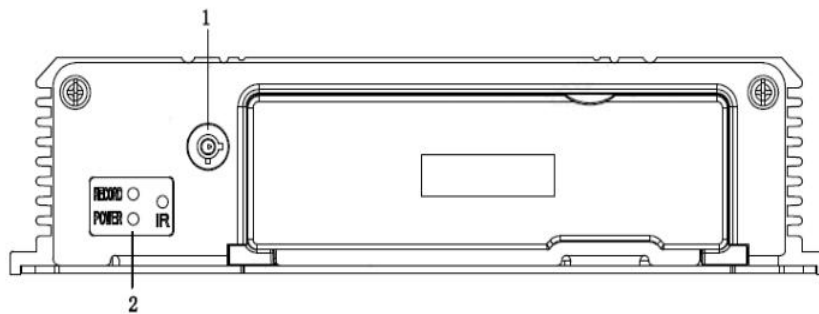
Model		AE-MD5043-SD(LITE)
Video/Audio Input	Analog Camera	4-ch HIK wiring sequence analog camera, Max. 1080P
	IPC Camera	Support 1 IPC (please contact the product manager for model selection)
	Two-way Audio	1, integrated in EXT.DEV interface
Video/Audio Output	Video Output	Main output: 1, integrated in EXT.DEV interface
	Audio Output	1
Encoding/Decoding Parameters	Video Compression	H.264/H.265
	Encoding Resolution	Main stream: 1080P/720P/WD1/4CIF Sub-stream: 720P/WD1/4CIF/2CIF/CIF
	Frame Rate	<ul style="list-style-type: none"> ● PAL: 1 to 25fps@1080P; NTSC: 1 to 30 fps@1080P; ● PAL: 1 to 25 fps@720P; NTSC: 1 to 30 fps@720P;
	Audio Compression	G.711a/G.711u/G.722.1/G.726
	Stream Type	Video, video & audio
	Audio Bitrate	16 Kbps
	Dual Stream	Supported
Storage	SD Card	2 × SD card, up to 512 GB (not for baseline. Note the SD card capacity when ordering)
Wireless Network	4G Dialing	1 × 4G card slot, 1 × FAKRA antenna European Baseline: Supported region or country: <ul style="list-style-type: none"> ● Southeast Asia: Hong Kong China/Taiwan China/Indonesia/India/Thailand/Laos/Malaysia/Singapore/South Korea/Vietnam ● West Asia: Iran/Israel/UAE ● Europe: Germany/France/England/Italy/Belgium/Netherlands/Spain/Russia/Ukraine/Turkey ● Africa/Middle East: South Africa/Nigeria/Egypt Supported frequency band: <ul style="list-style-type: none"> ● LTE-FDD: B1/B3/B5/B7/B8/B20 ● LTE-TDD: B38/B40/B41 ● UMTS/HSDPA/HSPA+: B1/B5/B8 ● GSM/GPRS/EDGE: 900/1800MHz American Baseline: Supported region or country: <ul style="list-style-type: none"> ● Southeast Asia: Hong Kong China/Taiwan China/Indonesia/India/Thailand/Laos/Malaysia/Singapore/South Korea/Vietnam ● West Asia: Iran/Israel/UAE ● Oceania: Australia/New Zealand plus Taiwan ● South America: Brazil/Argentina/Chile/Peru/Colombia Supported frequency band: <ul style="list-style-type: none"> ● TE-FDD: B1/B2/B3/B4/B5/B7/B8/B28/B66 ● LTE-TDD: B40 ● UMTS/HSDPA/HSPA+: B1/B2/B5/B8 ● GSM/GPRS/EDGE: 850/900/1800/1900MHz Notes: Only for product models that support 4G
	Wi-Fi	Not Supported
Positioning	GNSS (Global Navigation Satellite System)	GPS (Global Positioning System) & GLONASS, 1 × FAKRA antenna

External Interface	Network Interface	Rear panel :1 ×10M/100M RJ45
	Serial Port	1 × RS-232, 1 × RS-485 (integrated in EXT.DEV interface)
	USB Interface	Front panel: 1 × USB 2.0
	Sensor-in	4 high/low level signal inputs
	Alarm Input	4 high/low level signal inputs, 1 pulse signal input, 1 BUTTON input
	Alarm Output	2 relay signal outputs
General	Operating Method	Mouse, IR remote control, Web control, Touch screen
	G-sensor	Built-in
	Power Supply	+9 to +32 VDC
	Consumption	<ul style="list-style-type: none"> ● Standby: ≤ 0.5 W ● Full load: ≤ 45 W Note: Without peripheral and storage media ≤ 20 W
	Working Temperature	-20 °C to +60 °C (-4 °F to +140°F)
	Working Humidity	10% to 95%
	Device Dimension (W × D × H)	184 × 134.4 × 44 mm (7.2 × 5.29 × 1.73 inch)
	Package Dimension (W × D × H)	250×210×160mm (9.84 ×8.27 ×6.30 inch)
	Device Weight (Without Storage Media)	0.65 kg (1.43 lb)
Package Weight (Without Storage Media)	1.382 kg (3.047 lb)	
Approval	EMC	FCC (47 CFR Part 15, Subpart B);CE-EMC (EN 50498: 2010); CE-EMC (EN 55032: 2015+A1:2020, EN 50130-4: 2011+A1:2014)
	Safety	CB (IEC 62368-1:2018); CE-LVD (EN IEC 62368-1:2020 + A11:2020)
	Environment	CE-RoHS (2011/65/EU and amendment 2015/863/EU)
	Automotive and Railway	EN50155((EN 50155:2021 clause 13, EN 50121-3-2:2016+A1:2019, EN45545-2:2020; EN50153:2014+A1:2017+A2:2020; EN ISO:13732-1:2008;EN61373:2010); EN45545 (EN 45545-2:2020 hl3); E-MARK (ECE R10)

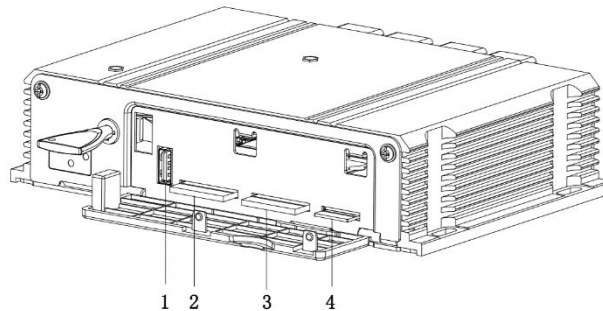
▪ **Available Model**

Physical Interface

Front Panel

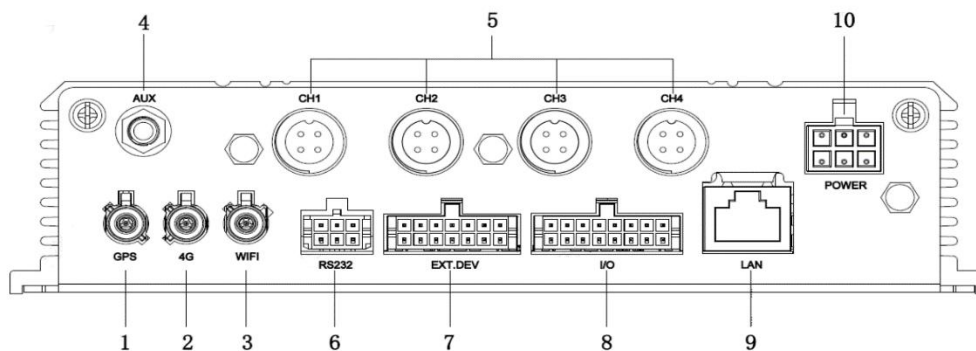


No.	Name	No.	Name
1	Front panel lock	2	PWR: Power indicator
			REC: Record indicator
			IR: Infrared receiving Indicator




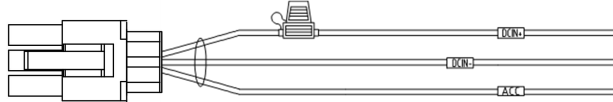
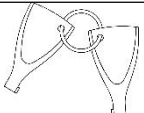
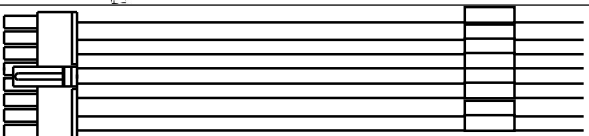
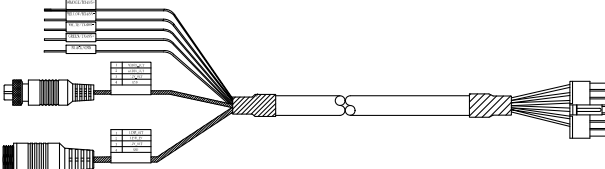

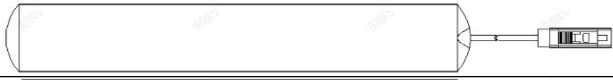

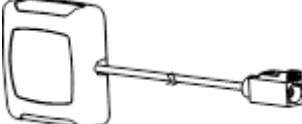
No.	Name	No.	Name
1	USB 2.0 interface	3	SD card slot
2	SD card slot	4	SIM card slot

Rear Panel

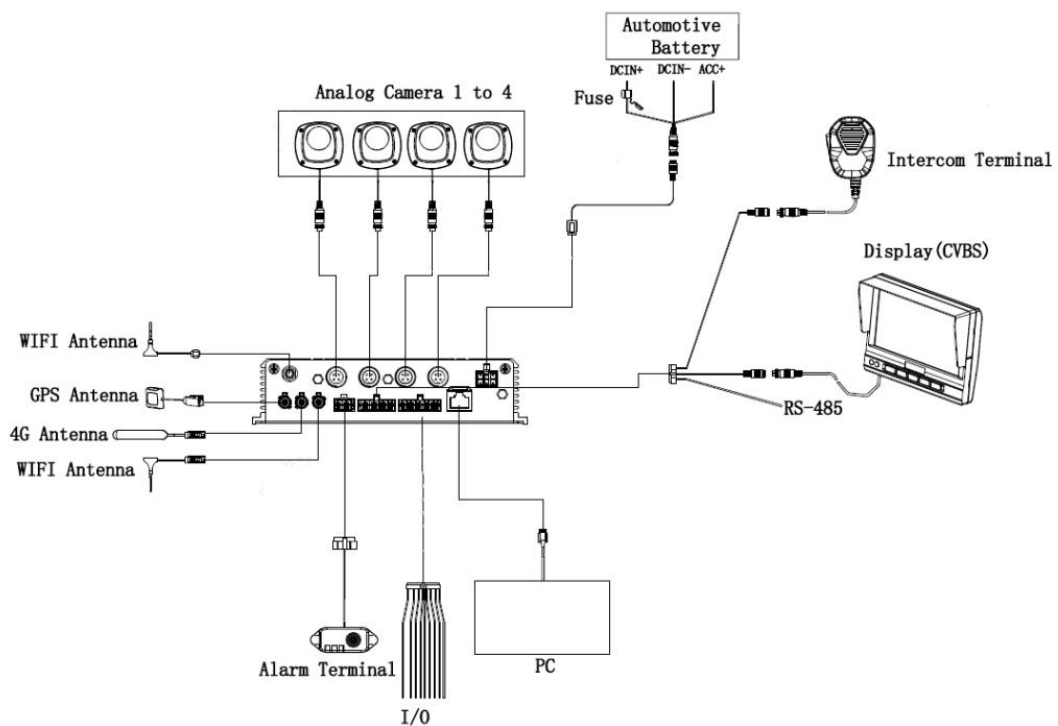


No.	Name	No.	Name
1	GNSS antenna interface	6	RS-232 interface
2	4G dialing antenna interface	7	RS-485 communication interface, two-way audio interface and CVBS video output
3	Wi-Fi 2.4G&5.8G Not Supported	8	Alarm in, alarm out and sensor-in
4	Wi-Fi 5.8G Not Supported	9	Network interface
5	Analog camera input	10	Power supply

▪ Packing List

Description	Quantity	Picture	Note
Fuse	1		
Power cord	1		
Key	1		
Alarm line	1		
Extension cable	1		
3G/4G antenna	1		For GLF module.
Wi-Fi antenna (2.4G&5.8G)	1		For WI&WI58 module Not Supported
Wi-Fi antenna (5.8G)	1		For WI58 module. Not Supported
GPS antenna	1		For module with GPS module.

Peripheral Connection



Distributed by

**HIKVISION®****Headquarters**

No.555 Qianmo Road, Binjiang District,
Hangzhou 310051, China
T +86-571-8807-5998
overseasbusiness@hikvision.com

Hikvision USA
T +1-909-895-0400
sales.usa@hikvision.com

Hikvision Australia
T +61-2-8599-4233
salesau@hikvision.com

Hikvision India
T +91-22-28469900
sales@pramahikvision.com

Hikvision Canada
T +1-866-200-6690
sales.canada@hikvision.com

Hikvision Thailand
T +662-275-9949
sales.thailand@hikvision.com

Hikvision Europe
T +31-23-5542770
sales.eu@hikvision.com

Hikvision Italy
T +39-0438-6902
info.it@hikvision.com

Hikvision Brazil
T +55 11 3318-0050
Latam.support@hikvision.com

Hikvision Turkey
T +90 [216]521 7070- 7074
sales.tr@hikvision.com

Hikvision Malaysia
T +601-7652-2413
sales.my@hikvision.com

Hikvision UK & Ireland
T +01628-902140
sales.uk@hikvision.com

Hikvision South Africa
Tel: +27 (10) 0351172
sale.africa@hikvision.com

Hikvision France
T +33(0)1-85-330-450
info.fr@hikvision.com

Hikvision Kazakhstan
T +7-727-9730667
nikia.panfilov@hikvision.ru

Hikvision Vietnam
T +84-974270888
sales.vt@hikvision.com

Hikvision UAE
T +971-4-4432090
salesme@hikvision.com

Hikvision Singapore
T +65-6684-4718
sg@hikvision.com

Hikvision Spain
T +34-91-737-16-55
info.es@hikvision.com

Hikvision Tashkent
T +99-87-1238-9438
uzb@hikvision.ru

Hikvision Hong Kong
T +852-2151-1761
info.hk@hikvision.com

Hikvision Russia
T +7-495-669-67-99
saleru@hikvision.com

Hikvision Korea
T +82-(0)31-731-8817
sales.korea@hikvision.com

Hikvision Poland
T +48-22-460-01-50
info.pl@hikvision.com

Hikvision Indonesia
T +62-21-2933759
Sales.Indonesia@hikvision.com

Hikvision Colombia
sales.colombia@hikvision.com