

AE-VC155T

ADAS Vehicle-Mounted Camera



- Progressive scan CMOS
- Up to 720P resolution
- 0.1 lux @ (F1.2, AGC ON)
- Supports auto electronic shutter
- Supports auto gain control
- Supports WDR

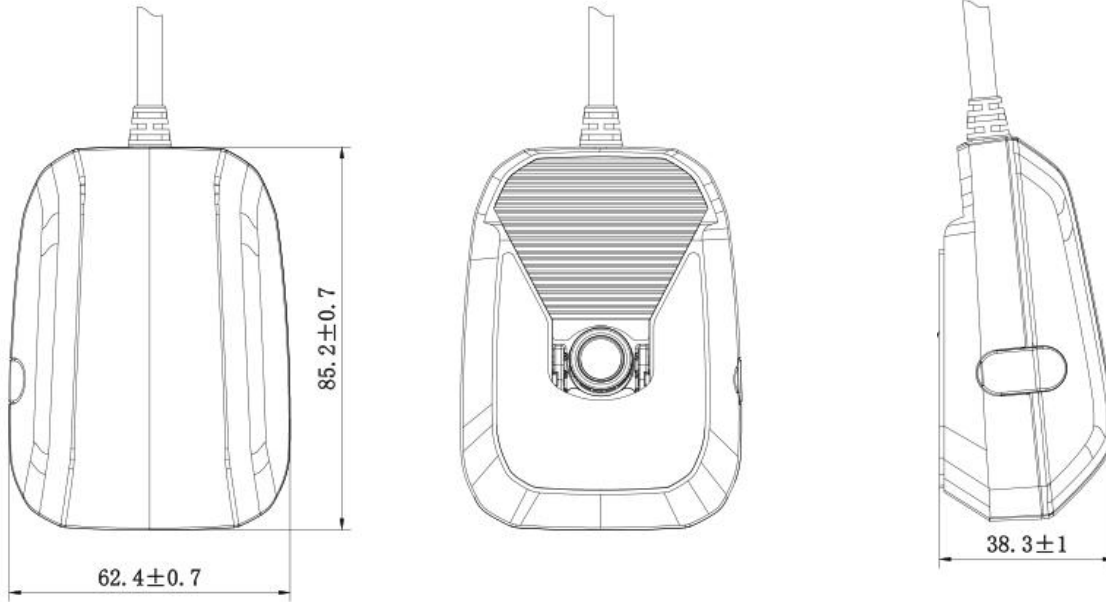
Specification

| | |
|-----------------------|---|
| Model | AE-VC155T-IT(3.1) |
| Camera | |
| Image sensor | Progressive Scan CMOS |
| Min. illumination | 0.1 Lux @ (F1.2, AGC ON) |
| Shutter time | 1/30 s to 1/7500 s |
| Lens | 6 mm |
| Lens mount | M12 |
| FOV | Horizontal: 52°, Vertical: 30°, Diagonal: 69° |
| Angle adjustment | Tilt: 60° |
| Day & Night | Fix on color |
| Frame rate | 720P@30fps |
| Synchronization | Internal |
| WDR | 96 dB |
| S/N ratio | 42 dB |
| Interface | |
| Video output | 1 Vpp Composite Output (aviation plug) 1: video, 2: Audio, 3: power, 4: ground |
| General | |
| Working temperature | -40°C~75°C (-40 °F to 158 °F) |
| Working humidity | 90% or less (no condensation) |
| Power supply | 9 VDC to 16 VDC |
| Power consumption | Max. 1.5 W |
| Dimension (L x W x H) | 85.2×62.2×38.4mm (3.35" × 2.45" × 1.51") |

▪ Available Model

AE-VC155T

Dimensions



Unit: mm

Headquarters

No.555 Qianmo Road, Binjiang District,
Hangzhou 310051, China
T +86-571-8807-5998
www.hikvision.com



Follow us on social media to get the latest product and solution information.

