

DS-TMG320/B 32 Series Barrier Gates



- Supports convenient side installation with compact structure.
- Adopts small DC brushless motor with low noise to increase output torque and realize precise intelligent control.
- Supports multiple anti-fall modes such as IR, vehicle detectors, and radars.
- Delayed boom pole closing. Supports 1 to 600 seconds.
- Supports Bluetooth connection with smartphone app for barrier gate configuration.
- Standardized chuck, one chuck fits all types of boom pole.
- Barrier body with delicate indicator lights, the state of barrier gate is clear at a glance.

▪ Specification

Barrier Housing	
Barrier Housing Material	SGCC
Barrier Housing Thickness	1.5 mm
Barrier Housing Color	Black background with silver pattern
Boom Pole Installation Height	880 mm
Body Indicators	Red-green Light
Barrier Gate General	
Matched Boom Pole Type	DS-TMG320-ML/B and DS-TMG320-MR/B: DS-TMG001-3D(3m octagonal), DS-TMG001-3D(4m octagonal), DS-TMG001-3D(2.6-4m), DS-TMG002-3D(1.5+1.5m), DS-TMG001-6L(3m reinf) DS-TMG320-LL/B and DS-TMG320-LR/B: DS-TMG001-3D(3.6-6m), DS-TMG002-3D(2+2m), DS-TMG002-3D(2.5+2.5m), DS-TMG001-6L(4m teinf)
Rising Speed	3m: 3s, 4m: 3.5s, 2.6-4m telescopic: 4s, 1.5+1.5 m folding: 3s, 3.6-6 m telescopic: 6.5s, 2+2 m folding: 4s, 2.5+2.5 m folding: 5.5s, 3m light: 3s, 4m light: 3.5s
Falling Speed	3m: 3s, 4m: 3.5s, 2.6-4m telescopic: 4.5s, 1.5+1.5 m folding: 4s, 3.6-6 m telescopic: 7.5s, 2+2 m folding: 6s, 2.5+2.5 m folding: 7s, 3m light: 3s, 4m light: 3.5s
Boom Pole Direction	DS-TMG320-ML/B and DS-TMG320-LL/B: left DS-TMG320-MR/B and DS-TMG320-LR/B: right
Boom Pole Falling Delay	1~600s
Number of Cycles	2500000
Motor Type	DC Brushless Motor
Working Voltage	24VDC
Remote Controller Frequency	433.5 MHz
Max. Number of Remote Controller Binding	64
Consumption	DS-TMG320-ML/B and DS-TMG320-MR/B: 102.5W DS-TMG320-LL/B and DS-TMG320-LR/B: 152.5W
Temperature and Humidity	Temperature: -30 °C to 70 °C (-22 °F to 158 °F)
Rising Boom Pole for Poweroff	Optional, order supercapacitor board independently
Barrier Gate	
Duty Cycle	100%
Interface	
Rising to Limit	1 group
Falling to Limit	1 group
Open	1 group
Close	1 group
Stop	1 group
RS-485	1 group
IR/Vehicle Detector/Radar	1 group
LED Indicators	1 group
General	
Power Supply	110~220VAC
Bluetooth	supported
Remote Control Distance	30m

Dimensions	1040 × 340 × 298.3 mm (40.94 × 13.39 × 11.74 inch)
Weight	37.79 kg (83.31 lb.)
Dimensions (with Package)	1143 × 436 × 403mm(45 × 17.17 × 15.87inch)
Weight (with Package)	40.9 kg (90.17 lb.)

▪ **Available Model**

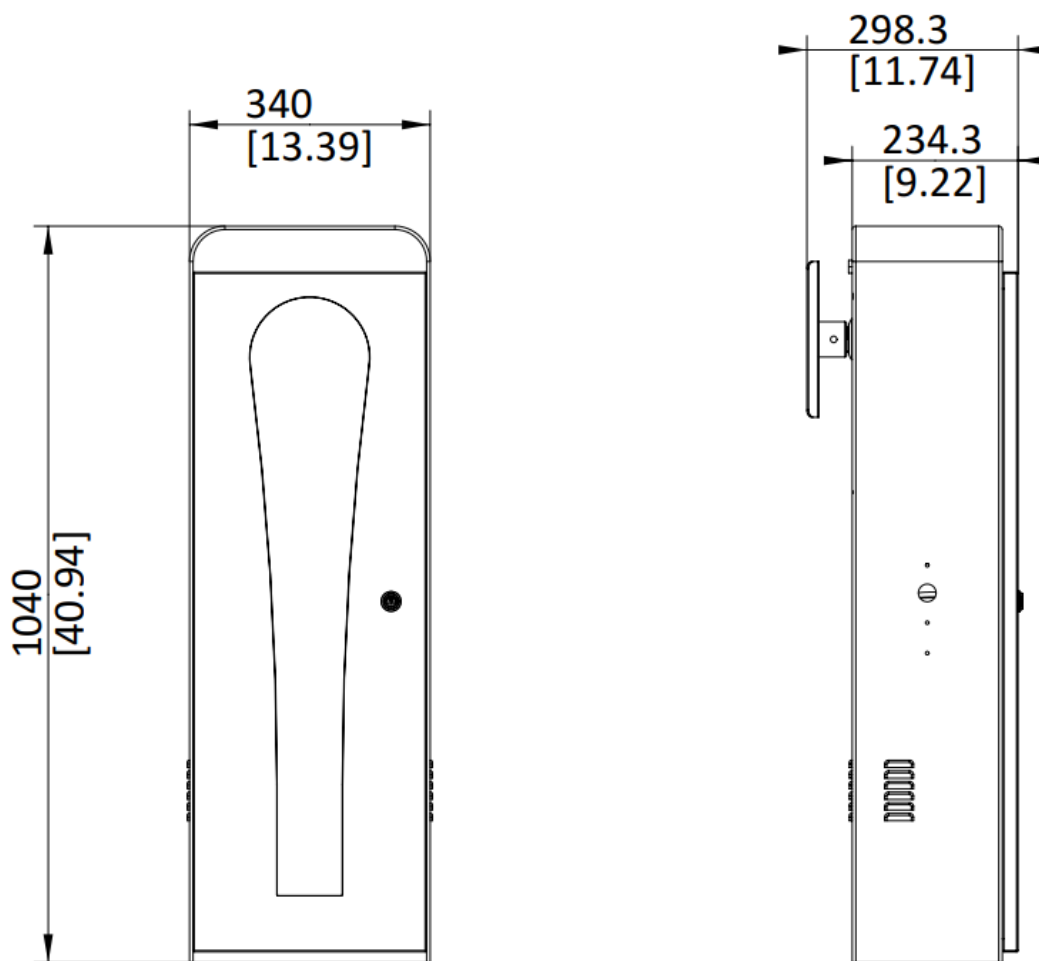
DS-TMG320-LL/B(Barrier Body)

DS-TMG320-ML/B(Barrier Body)

DS-TMG320-MR/B(Barrier Body)

DS-TMG320-LR/B(Barrier Body)

▪ **Dimension**



See Far, Go Further



www.hikvision.com
support@hikvision.com

