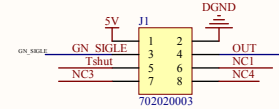
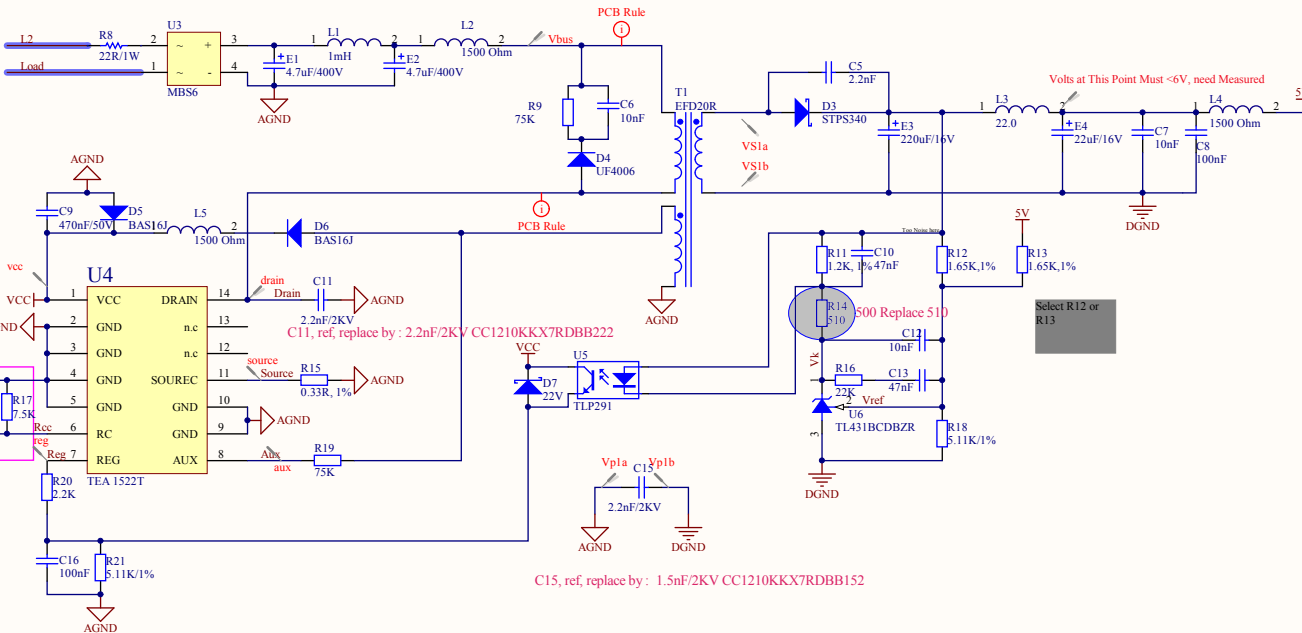
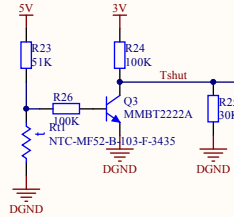


to V0.4 todo:
change some High Volts CAP From
Thro to SMD(1210)

R8 to SMD



www.wulian.cc
WL_WDxB_0101L_V1.0
2013_0625

Logo1
Co.

TP1
MP
TP2
MP

Project : PrjPCB
File : WL-ZCSWL-D112-LA-P-V1.1_SchDoc
Revision : V1.0
Size : A3
Sheet 01 of 01
PCB Code : WL_WDxB_0101L_V1.0

Date : 2013 0625
Time : HH:MM
Company : www.wulian.cc
Author : JamiLiang@gmail.com

Wulian