

Exit Button

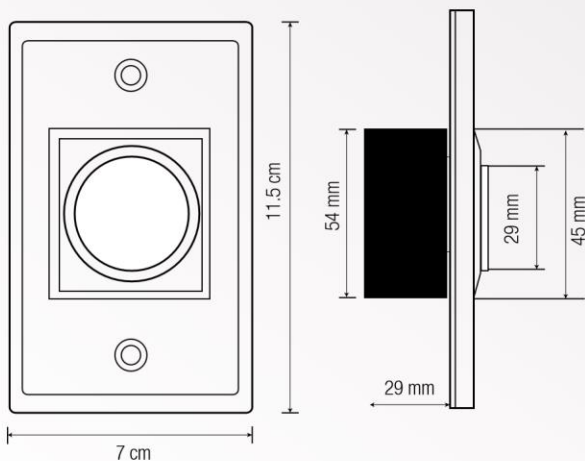
Exit Button Contactless

Mod. **SYS-B11**

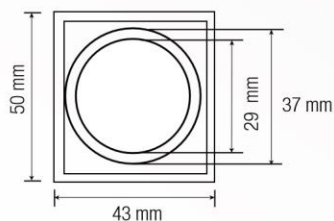


● Dimensions:

PLATE



BUTTON



● Applications:

For commercial, industrial and institutional applications such as shopping centers, buildings, educational institutions, health centers, office complexes, commercial, etc.

● Features:

Switch Mode	Contactless (Detection: 1 to 10 cm)
Switch Configuration	NO / NC / COM /
Illumination Type	Ring Illumination
Standar Finish	Stainless Steel
Switch Rating	Voltage that supports less than or equal to 24VDC.
Front Shape	Flat Head (Sensor)
Cycle Rating	500,000 Cycles
Operating Temperature	-20 a 55 °C
Connector	Screw Terminal
Sensor Size	29 mm
Supply	12 Vdc
Warranty	1 Year

