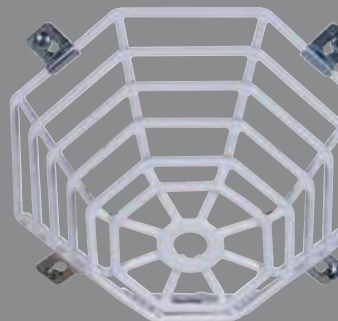




Safety Technology
International



Product Catalog

www.sti-usa.com

ABOUT STI

It all started with a solution to a challenge

Who We Are

Family owned and operated for over 40 years, we take great pride in STI's products and exemplary service. Our entire team works just as hard to make you a satisfied customer as we do to make the world a safer place, one product at a time.

What We Do

STI manufactures protective polycarbonate covers, enclosures, push buttons, wire cages and wireless alarms to help prevent theft and vandalism to important fire and safety devices. Covers and cages protect: detectors, lights, manual pull stations, and much more. Alarms protect: fire extinguishers, exit doors, etc. Many options and variations of products are available to protect the things that protect you.

Where We Came From

The STI story begins over four decades ago with a challenge made by a suburban Detroit school administrator who wanted to stop false fire alarms. Our Founder, Jack Taylor, used his expertise in security systems to invent the original Stopper® pull station protector. Today, STI has hundreds of innovative products that help make homes, businesses and workplaces around the world safe, smart and secure.

Rely on STI!®

Learn more at www.sti-usa.com



It all started with
The Original Stopper®

TABLE OF CONTENTS

FIRE & SAFETY

Stopper II®	5
Universal Stopper®	5
Horn/Strobe/Damage Stopper®	6
Stopper® Dome	6
Horn/Strobe/Speaker	
Damage Stopper®	6

ENCLOSURES

EnviroArmour® Waterproof Enclosures	8
Metal Protective Enclosures with AC/Heat	12
Heated Polycarbonate Enclosure	12
Stopper® Heated Enclosures	12
Universal Stopper® Dome and Low Profile	14
Polycarbonate Enclosures	16
Metal Protective Enclosures	16
MED Protective Enclosures	17
Bopper Stoppers®	17
Single-Gang Protective Cover	17
LED Display Cover	17

WIRE GUARDS

Smoke Detector Cages	19
Exit Sign Damage Stopper®	20
Clock/Bell Damage Stopper®	20
Light Damage Stopper®	20
Motion Detector Damage Stopper®	20
Expandable Cage	21
Speaker Cage	21
Custom Cages	21

BUTTONS & SWITCHES

Stopper® Stations	23
NoTouch® IR Switches	24
Universal Button	25
Universal Pneumatic Button	25
Global ReSet	26

WIRELESS PRODUCTS

Wireless Entry Alert®	28
Wireless Motion-Activated Transmitter	28
Wireless Doorbell Chime	28

ALARMS & ALERTS

Exit Stopper®	30
Fire Extinguisher Theft Stopper®	30
Select-Alert Alarms	31



FIRE & SAFETY

Universal Stopper[®]



DESIGN

Protective cover with horn. Prevents false fire alarms, without hindering legitimate operation of a manual pull station in the event of an emergency.

INSTALLATION

Quick and easy protection in minutes. Can accommodate flush or surface mount applications. Gaskets included.

ELECTRONICS

95/105 dB self-contained alarm draws immediate attention to the area. Available with or without horn, powered by an included battery.

Low profile models with a horn (STI-14000 series) flash and sound.

CONSTRUCTION

Tough, clear UV-stabilized polycarbonate material. Housing can take the severest knocks preventing vandalism or accidental damage to the manual pull station.



Indoor/outdoor polycarbonate cover helps stop false fire alarms without restricting legitimate operation of pull stations. It is ideal for schools, hospitals, nursing homes, stores, hotels and public buildings of almost every kind.

FIRE &
SAFETY

ENCLOSURES

WIRE
GUARDS

BUTTONS &
SWITCHES

WIRELESS
PRODUCTS

ALARMS &
ALERTS



1



2



3

1. Stopper II®

Protective cover prevents false fire alarms. Does not restrict legitimate access. Self-contained alarm.

STI-1100 Horn, Flush
STI-1130 Horn, Surface
STI-1200 Flush
STI-1230 Surface

2. Universal Stopper®

Indoor/outdoor cover protects pull stations, push buttons and more.

STI-13010FR Flush
STI-13020FR Horn, Flush
STI-13210FR Surface
STI-13220FR Horn, Surface

3. Universal Stopper® Low Profile

Indoor/outdoor protective cover flashes and sounds when lifted. Protects pull stations, push buttons and more.

STI-14320FR Horn, Enclosed Flush Back Box
STI-14420FR Horn, Encl. Back Box, Sealed Mounting Plate
STI-14520FR Horn, Encl. Back Box, Open Mounting Plate

Stopper II & Weather Stopper® 6-Packs available.
Call for information.



1



2



3



4

1. Horn/Strobe Damage Stopper®

Polycarbonate cover, slotted for horn and/or strobe appliances.

*STI-1210D
Open Back Box, Conduit Knockout*

*STI-1210A
Encl. Back Box, 4" Deep*

*STI-1210B
Encl. Back Box, Double-Gang Outlet Box*

*STI-1210C
Open Back Box, External Mounting Tabs*

*STI-1210E
Open Back Box, Flush*

2. Strobe Damage Stopper®

Enhanced chemical resistance polycarbonate cover. Solid for strobe only. Type 4X.

*STI-1221A4X-WD
Enclosed Back Box*

*STI-1229-WD
Dome, Enclosed Back Box*

3. Stopper® Dome

Polycarbonate cover slotted for horn/strobe or speaker/strobe units.

*STI-1215
Flush Mount*

*STI-1217
Open Back Box*

*STI-1219
Enclosed Back Box*

4. Horn/Strobe/Speaker Damage Stopper®

Wire guard provides protection for System Sensor SpectrAlert® series notification appliances.

*STI-9705
Flush Mount, White*

*STI-9705-R
Flush Mount, Red*

*STI-9708
Surface Mount, White*

*STI-9708-R
Surface Mount, Red*

ENCLOSURES

EnviroArmour® Enclosures

DESIGN

Enclosures protect against vandalism and accidental damage, weather, dirt, dust and grime.

Door: removable, lockable, screw-down, has a draw-down latch.

OPTIONS

Many sizes available.
Lockable. Mounting plates available.



ELECTRONICS

A/C with heat, pressure compensation vents, filter fans, and drain vents available.

CONSTRUCTION

Non-metallic. Tough polycarbonate or fiberglass. UV resistant.



STI's non-metallic EnviroArmour Enclosures are lockable and help protect from weather, vandalism, tampering and theft.

FIRE &
SAFETY

ENCLOSURES

WIRE
GUARDS

BUTTONS &
SWITCHES

WIRELESS
PRODUCTS

ALARMS &
ALERTS



1. EnviroArmour® with AC/Heat

Waterproof enclosures. 120VAC, 60Hz A/C and heater unit. Rated UL50 Type 3R, 4, 4X, 6P, 12, IP66. Three sizes and two door options.

EP242410-* Polycarbonate
 EF181610-* Fiberglass
 EF201610-* Fiberglass

* -O2 Opaque, A/C & Heat
 -T2 Tinted, A/C & Heat (Polycarbonate models)
 -W2 Window, A/C & Heat (Fiberglass models)

2. EnviroArmour® with NEMA 3R Filter Fan

Waterproof enclosures. NEMA 3R filter fan with filter vent – 120VAC, 60Hz with thermostat. Rated UL50 Type 3R, 4, 4X, 6P, 12, IP66. Eight sizes and two door options.

Polycarbonate	Fiberglass
EP161409-*	EF141208-*
EP181611-*	EF161408-*
EP201608-*	EF181610-*
EP242410-*	EF201610-*
* -O3 Opaque	* -O3 Opaque
-T3 Window	-W3 Window

3. EnviroArmour® with Power Distribution

Waterproof enclosures. Available with cable glands, thermostat, fan and filter, drain vent, AC and more. Three sizes.

EP181611-*
 EP201608-*
 EP242410-*
 EP242410-O6
 *- O4 Power Dist. & 2 Cable Glands
 *- O5 Power Dist., Thermo, Fan & Filter, 2 Cable Glands, Drain Vent
 - O6 Power Dist., AC & 2 Cable Glands



opaque door



window door



opaque door



tinted door



3

1

2



1. Waterproof Fiberglass EnviroArmour® Enclosures

Non-metallic multipurpose lockable fiberglass enclosures help guard against vandalism, dirt, dust and grime. Has a removable opaque or window door. 11 sizes to choose from.

EF060604	EF141206
EF080604	EF141208
EF080804	EF161408
EF100806	EF181610
EF121006	EF201610
EN483612-W*	

Add -O for opaque, -W for window
* -O not available

Part #s = Dimensions

2. Waterproof Polycarbonate EnviroArmour® Enclosures

Non-metallic multipurpose lockable polycarbonate enclosures help guard against vandalism, dirt, dust and grime. Has a removable opaque or tinted door. 13 sizes to choose from.

EP060605	EP141207
EP080605	EP161409
EP080805	EP181604
EP100806	EP181611
EP100807	EP201608
EP101006	EP242410
EP121007	

For specs & details go to sti-usa.com | 9

3. EnviroArmour® Fiberglass NEMA

Waterproof enclosures. NEMA (UL508A, UL50 & UL50E) 1, 3, 3R, 4X, 12, IP66. Resistant to chemical agents. Lockable stainless steel hinged door.

EN483612-W
With Window
EN483612-W2
With Window, AC/Heat



1



2



3



4

EnviroArmour® Accessories

For use with fiberglass or polycarbonate enclosures.

Heater/AC, panels, thermostats, vents, hygrometers, filter fans, pole mount brackets and more.

1. Temperature Control

A range of heaters and thermostats available.

2. Mounting Panels

Aluminum, fiberglass or polycarbonate panels with brackets for height variance and swing options.

3. Pole Mount Kits

Kits allow EnviroArmour Enclosures to mount to poles.

STI-PMK0608
STI-PMK1012
STI-PMK1416
STI-PMK1824

4. Vents

Small and large vents for fiberglass and polycarbonate enclosures.

KIT-REV60 Small
KIT-REV80 Large

ENCLOSURES

Environmental Enclosures

DESIGN

Protective enclosure with heat. Protects a wide range of devices, components and sensitive units from vandalism and accidental damage as well as weather, dirt, dust and grime.



INSTALLATION

Several mounting options available. With or without lock. Mounting hardware and gaskets included.

ELECTRONICS

With or without heat and AC. Heater offers three thermostats. Radiant heat plate prevents LCD from becoming sluggish or freezing. Operates on 12, 16.5, or 24 VAC/VDC.

CONSTRUCTION

Tough, clear UV-stabilized polycarbonate material. Powder coated metal helps protect against corrosion.

With STI's environmental enclosures you can reduce costly equipment replacement and repairs, and assure operation of important devices.

FIRE &
SAFETY

ENCLOSURES

WIRE
GUARDS

BUTTONS &
SWITCHES

WIRELESS
PRODUCTS

ALARMS &
ALERTS



1



2



3



4



5

1. Metal Protective Enclosure

Heavy-duty metal enclosure with AC/heat.

*EM362408WA
AC/Heat, Window*

*EM362408A
AC/Heat, No Window*

*EM243608A1
AC/Heat, No Window
Horizontal Mount*

2. Heated Polycarbonate Enclosure

Tough polycarbonate enclosure with heat.

*STI-7520-HTR
Key Lock*

*STI-7521-HTR
Thumb Lock*

3. Heated Polycarbonate Enclosure

Tough polycarbonate enclosure with heat.

*STI-7510A-HTR
Key Lock, Encl. Deep Back Box*

*STI-7510F-HTR
Key Lock, Encl. Back Box*

Thumb Lock Models Available

4. Stopper II® Heated Enclosure

Enclosure protects devices where temperatures or environmental conditions exceed operating range.

*STI-1200A-HTR
Heated Enclosure, 110 VAC*

*STI-1200A-HTR240
Heated Enclosure, 240 VAC*

5. Stopper® Dome Heated Enclosure

Type 4X environmental enclosure with heater for strobes only.

*STI-1229HTR
110 VAC*

*STI-1229HTR240
240 VAC*

ENCLOSURES

Universal Stoppers[®]



DESIGN

Protective cover with or without horn. Prevents malicious or accidental damage to manual pull stations, electrical switches and the like.

INSTALLATION

Quick and easy protection in minutes. Can accommodate flush or surface mount applications. Gaskets included.

ELECTRONICS

95/105 dB self-contained alarm draws immediate attention to the area. Available with or without horn, powered by an included battery.

CONSTRUCTION

Tough, clear UV-stabilized polycarbonate material. Housing can take the severest knocks preventing vandalism or accidental damage to the manual pull station.



Indoor/outdoor polycarbonate cover helps prevent malicious or accidental damage to manual pull stations, electrical switches and more. It is ideal for public buildings of almost any kind.

FIRE &
SAFETY

ENCLOSURES

WIRE
GUARDS

BUTTONS &
SWITCHES

WIRELESS
PRODUCTS

ALARMS &
ALERTS



1. Universal Stopper®

Tough indoor/outdoor dome polycarbonate cover protects devices. Available in five colors, with or without label, internal sounder, multiple mounting options.

*STI-13000 Series
See website for details*

**2. Universal Stopper®
Flat Low Profile**

Tough indoor/outdoor low profile polycarbonate cover protects devices. Available in five colors, with or without label, internal sounder, flashes, multiple mounting options.

*STI-14000 Series
See website for details*

**3. Universal Stopper®
Dome**

Tough indoor/outdoor dome clear polycarbonate cover protects devices.

*STI-13000NC
Flush Mount*

*STI-13200NC
Surface Mount*

*STI-13300NC
Enclosed Flush Back Box*

**4. Universal Stopper®
Flat Low Profile**

Tough indoor/outdoor low profile polycarbonate cover protects devices.

*STI-14000NC
Flush Mount*

*STI-14200NC
Surface Mount*

*STI-14300NC
Enclosed Flush Back Box*

Shown are examples of our many different cover options. Use our online configurator to build your perfect cover.
www.sti-usa.com/c4

ENCLOSURES

Polycarbonate & Metal Enclosures

DESIGN

Helps protect a wide range of devices from vandalism and accidental damage while still allowing them to be accessible.



ELECTRONICS

Select models available with a choice of alarm.

INSTALLATION

Several mounting options available. With or without lock. Most models include mounting hardware.

CONSTRUCTION

Tough, clear UV-stabilized polycarbonate material.

With STI's polycarbonate protectors, you can reduce costly equipment replacement and repairs, and assure operation of important safety and security devices.

FIRE &
SAFETY

ENCLOSURES

WIRE
GUARDS

BUTTONS &
SWITCHES

WIRELESS
PRODUCTS

ALARMS &
ALERTS



1



2



3



4



5



1. Polycarbonate Enclosures

Polycarbonate cover protects against vandalism and accidental damage. Clear or white polycarbonate.

*STI-7730
Enclosed Back Box, Gasket, Lock*

*STI-7700
Open Back Box*

*STI-7710
Open Back Box, Lock*

2. Polycarbonate Enclosure

Multipurpose lockable enclosure with six back box options. Clear or white polycarbonate.

*STI-7510A-F
Several Surface and Flush Mount
Options: Enclosed Deep Back
Box, Open Back Box, Open
Conduit Back Box, and more.*

3. Type 4X Protective Enclosure

Multipurpose lockable cabinet protects fire alarm controls and more against abuse and the environment.

*STI-7520
Key Lock*

*STI-7521
Thumb Lock*

4. Metal Protective Enclosure

For electrical and electronic equipment. Provides protection from hazardous parts.

*STI-EM07123.5
STI-EM08073.5
STI-EM111103
STI-EM111504
STI-EM121204
STI-EM151804
EM1212DOC*

5. Type 4 Metal Protective Enclosure

For electrical and electronic equipment. Provides protection from hazardous parts.

*EM362408W
With Window*

*EM362408
No Window*



1. MED Protective Cabinet

Clear polycarbonate cabinet for remote MED units requiring physical protection.

STI-7535MED
Thumb Lock, Siren/Strobe

STI-7531MED
Thumb Lock



2. Bopper Stopper®

Cover with spring loaded hinge protects everything from electrical outlets to push buttons. Fits single-gang appliances.

STI-6518
Polycarbonate Cover



3. Single-Gang Protective Cover

Hinged polycarbonate cover has mounting plate molded into frame.

STI-6519
Polycarbonate Cover



Vacuum Formed

4. LED Display Cover

Vacuum formed from PETg, food grade and chemical resistant material, this cover is designed to protect LED displays and more.

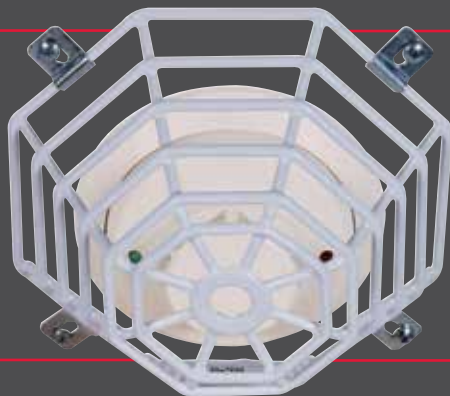
VFC01
Vacuum Formed Cover

WIRE GUARDS

Steel Web Stoppers®

DESIGN

These steel cages are designed to protect devices from vandalism and misuse. Designed so there is no interference with the operation of the protected unit.



INSTALLATION

Quick and easy installation, can retrofit and protect units within minutes.

OPTIONS

Designed for flush or surface mount applications. Where additional security is required from theft or misuse, tamper resistant bits are available.

CONSTRUCTION

Constructed of 9-gauge steel wire with corrosion resistant polyester coating or 9-gauge stainless steel wire.

These heavy-duty steel cages are designed to protect smoke detectors, PIRs, exit signs and more from vandalism and misuse, while leaving the devices fully accessible and operational.

FIRE &
SAFETY

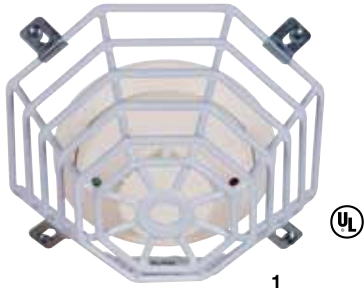
ENCLOSURES

WIRE
GUARDS

BUTTONS &
SWITCHES

WIRELESS
PRODUCTS

ALARMS &
ALERTS



1



2



3



4



5

1. Steel Web Stopper®

Steel wire guard helps protect smoke detectors where abuse is severe. Six sizes available.

*STI-9604
Flush*

*STI-9605
Surface*

See website for other sizes.

2. Beam Smoke Damage Stopper®

Protects costly sensor units of beam type smoke detectors from damage leading to misalignment.

*STI-9706
Flush Mount*

*STI-9707
Surface Mount*

3. Steel Web Stopper®

Steel wire guard protects photoelectric smoke detectors from abuse and damage.

*STI-9712
For Photoelectric Smoke
Detector, Surface Mount*

*STI-9713
Flush Mount, UL Listed*

4. Smoke Detector Damage Stopper®

Heavy-duty steel cover for smoke detectors where abuse is severe.

*STI-8200-W
Flush, Coated Steel*

*STI-8230-W
Surface, Coated Steel*

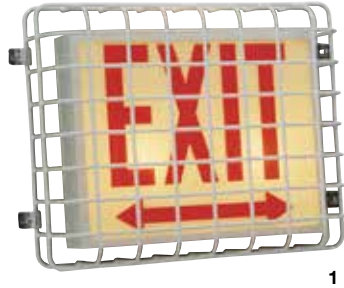
Stainless Steel also available.

5. Smoke Detector Damage Stopper®

Tough polycarbonate cover extremely effective in reducing malfunctions to smoke detectors where abuse is severe. Available in smoke, white and clear.

*STI-8100
Flush Mount*

*STI-8130
Surface Mount*



1



2



4



3



5

1. Exit Sign Damage Stopper®

Protects a wide range of exit signs from vandalism and damage.

STI-9640

Small

STI-9740

Large

STI-9742

Wall Mount

2. Clock/Bell Damage Stopper®

Highly recommended for gymnasiums and other areas where abuse is severe.

STI-9635

14.25" Diameter

STI-9636

20.75" Diameter

STI-9637

26.75" Diameter

3. Wire Guard Damage Stopper®

Designed to protect a wide variety of devices from vandalism and damage.

STI-9729

Small

STI-9730

Large

4. Light Damage Stopper®

Protects outdoor lights where vandalism and damage are prevalent.

STI-9703

9-gauge Steel Wire Guard

5. Motion Detector Damage Stopper®

Protects PIRs from vandalism and accidental damage.

STI-9620

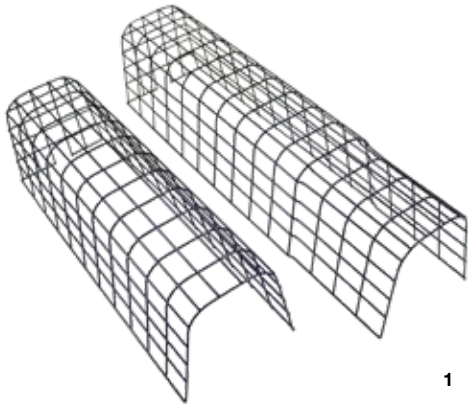
9-gauge Steel Wire Guard

STI-9621

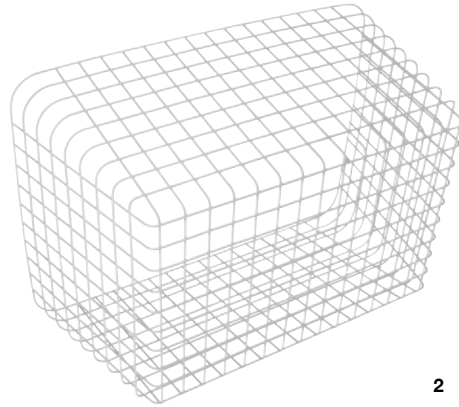
9-gauge Steel Wire Guard

STI-9622

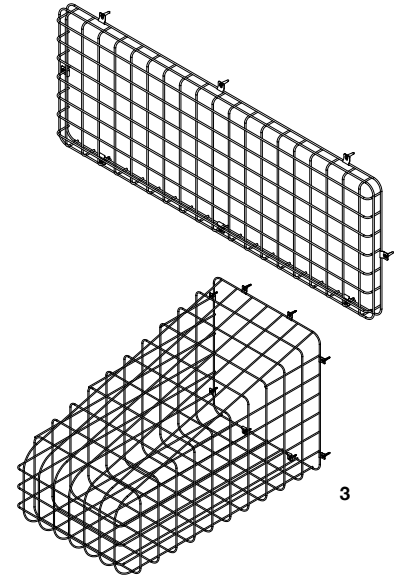
9-gauge Steel Wire Guard



1



2



3

1. Expandable Wire Guard

Multipurpose wire cage constructed of 9-gauge steel wire with black polyester coating. Designed to protect tower speakers, light fixtures and other appliances from vandalism and accidental damage. Expandable from 63 to 75" length.

STI-101075

2. Speaker Wire Guards

Cages help protect speakers from theft, damage, and vandalism. Constructed of 9-gauge steel wire, they take tough knocks in stride.

STI-282121
STI-241416

3. Custom Wire Guards

Protect appliances from vandalism and accidental damage. Available in stainless steel or corrosion resistant polyester coated steel wire.

Contact our sales department to assist in developing custom wire cages to your specifications. Previous custom guards include protection for: windows, cameras, speakers, lights, signs and more.

BUTTONS & SWITCHES

Stopper[®] Stations

DESIGN

Incorporates a unique, patented design that helps dramatically stop accidental activation.



INSTALLATION

5VA flammability rating on backplate and spacer.

ELECTRONICS

Multiple button functions available:

Key-to-Reset, Momentary, Turn-to-Reset, Pneumatic, Key-to-Activate, Weather

Three 12-24 volt LED color indicators.

CONSTRUCTION

Station housing molded of tough polycarbonate. Stainless steel backplate.



ADA Compliant multipurpose buttons/ switches cover a wide range of applications indoors and outdoors. A number of standard models are available or STI can create custom units to meet specific needs.

FIRE &
SAFETY

ENCLOSURES

WIRE
GUARDS

BUTTONS &
SWITCHES

WIRELESS
PRODUCTS

ALARMS &
ALERTS



1



2



3



4

1. Stopper® Station

ADA Compliant, multipurpose button/switch covers a wide range of applications.

SS2042PS-EN

Key-to-Reset Illuminated, Red, FUEL PUMP SHUT-DOWN Label, Universal Stopper® Cover

2. Weather Resistant Stopper® Station

2" button designed for indoor/outdoor use. UL/cUL Type NM rated.

SS2307PO-EN

Momentary Illuminated, White, EMERGENCY POWER OFF Label

3. Stopper® Station with Cover

Covers provide added protection from accidental activation or intentional damage.

SS2229EV-EN

Turn-to-Reset Illuminated, Yellow, EVACUATION Label, Stopper® Station Shield

4. Stopper® Station

UL/cUL Listed, ADA Compliant button/switch for multipurpose use.

SS2505AB-EN

Momentary Illuminated, Orange, ABORT Label

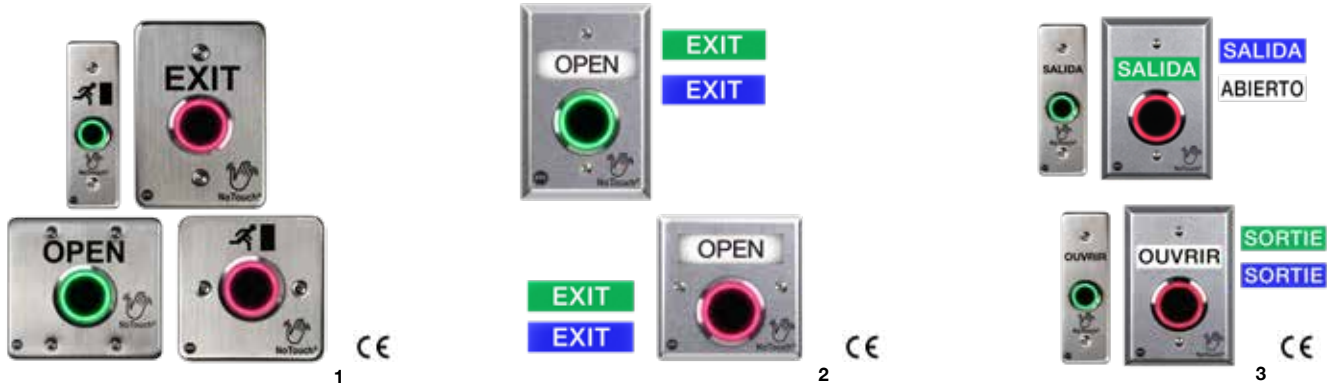
Models shown are examples. Visit our website to see over 3,000 buttons.

Available in Spanish & French
Wireless available

www.sti-usa.com/c5

NoTouch® IR Switches

Reduce Germs



NoTouch® IR Switches

Advanced NoTouch® infrared wave action switches are ideal for a safe hands-free, germ-free, environment. Features include 12-24VDC, 45mA max. power, adjustable detection range 1.5~6 in., relay latch .05~20 seconds, Form C (SPDT) dry contact relay, 0.5A @120VAC, 1A @24VDC, selectable red/green or green/red status LED, multiple sizes and labeling.

1. Stainless Steel IR Switch

Plate constructed of medical/food grade 304 stainless steel, 3 standard activation instructions: EXIT, OPEN, running/exit symbol, 4 sizes.

- NT-SS00*-EN Slim Line
- NT-SS10*-EN Single-Gang
- NT-SS20* -EN Double-Gang
- NT-SS30*-EN European Double-Gang

*0 door symbol, 1 EXIT, 2 OPEN

2. Cast Aluminum IR Switch

Plate constructed of heavy-duty die cast aluminum. Includes three illuminated snap-in message plates. Two sizes: US single-gang, European single-gang.

- NT-CA100-EN
- NT-CA300-EN

3. Foreign Language IR Switch

All NoTouch IR Switches are available with Spanish or French labeling. Other languages available as a custom order.

See website for details



1



2

1. Universal Button

Momentary push button offers over 300 combinations in one convenient package.

UB-1 Universal Button Kit

UB-2 2" Universal Button

UB-1-LTUL Universal Button with Latching Timer

UB-2-LTUL 2" Universal Button with Latching Timer

2. Universal Pneumatic Button

Pneumatic adjustable timer opens or closes a circuit and has a timed delay before reset.

UB-1PN Pneumatic Button

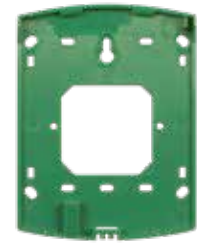
UB-2PN 2" Pneumatic Button



1



2



3



1. Global ReSet

Indoor/outdoor, latching resettable push button switch simulates break glass activation with no broken glass. When activated, indicator drops into view. Simple reset with provided key for immediate reuse. Housing available in five colors with choice of standard or custom phrases. Rated for outdoor use. Surface back box available.

2. Protective Covers

Several protective covers provide further defense against accidental and malicious activations, and vandalism. Available in many colors with standard or custom phrases, and with or without an optional horn and/or visual notification.

Visit website for options

3. Mounting Plate

Versatile mounting plate hole pattern fits U.S. single-gang, double-gang, 4" square electrical boxes, and European electrical box.

Shown are examples of our many different switch options. Use the online configurator to build your perfect switch.

www.sti-usa.com/c6

WIRELESS PRODUCTS

Wireless Chimes

DESIGN

All chimes are compatible with each other.



ELECTRONICS

Up to 500' operating range. Receiver plugs into 120 VAC outlet and has a low and high volume adjustment. 433 MHz.

INSTALLATION

Quick and easy to install—no wiring needed.

CONSTRUCTION

UL/cUL Listed, FCC and IC Certified.



Wireless chimes greet visitors with a pleasant chime and lets you know when the door opens or a person enters the detection zone. All chimes are compatible with each other.

FIRE &
SAFETY

ENCLOSURES

WIRE
GUARDS

BUTTONS &
SWITCHES

WIRELESS
PRODUCTS

ALARMS &
ALERTS

**Longest range
on the market**



1. Wireless Entry Alert®

Alerts when a door is opened. 500' operating range.

*STI-3360
Transmitter with Receiver*

*STI-3551
Additional Transmitter*

2. Wireless Motion-Activated Transmitter

Alerts when someone enters detection zone. 500' operating range.

*STI-3610
Transmitter with Receiver*

3. Wireless Doorbell Chime

Alerts when doorbell button is pressed. 500' operating range.

*STI-3350
Transmitter with Receiver*

ALARMS & ALERTS

Exit Stopper®

DESIGN

Highly visible “stop sign” design acts as a deterrent. Visual and audible warning. Included label allows warning in two languages.



INSTALLATION

May be mounted on top, right, left or next to almost any door. Unit is completely self-contained.

ELECTRONICS

Set to sound for 30 seconds, 3 minutes or continuous 95/105 dB warning horn.

CONSTRUCTION

Virtually indestructible polycarbonate housing.

STI's highly effective alarm can help lessen the fear of security concerns. It helps stop unauthorized exits and entries into a building, as well as theft. When activated, it flashes and emits a piercing horn.

FIRE &
SAFETY

ENCLOSURES

WIRE
GUARDS

BUTTONS &
SWITCHES

WIRELESS
PRODUCTS

ALARMS &
ALERTS



1



2

1. Exit Stopper®

Highly effective multifunction door alarm flashes and alerts to any unauthorized exits or entries through protected door. Includes 21 labels to warn in a second language. Alarm can be set to sound for 30 seconds, 3 minutes, or indefinitely. May be programmed for 15 second entry delay or immediate alarm. 95/105 dB alarm when activated. Easy to install – mount on top, right, left or next to almost any door.

STI-6400 (shown)
Multifunction Door Alarm

STI-6402
Double Door Alarm

STI-6404
Double Door, Remote Horn

STI-6405 (shown)
Momentary Reset

2. Fire Extinguisher Theft Stopper®

Sturdy, tamperproof, self-contained alarm helps deter theft, misuse or vandalism to fire extinguishers and other equipment. It leaves the extinguisher accessible for emergencies and does not interfere with firefighting in any way. Add warning in a second language with provided labels (21 languages). 95/105 dB alarm when activated. Deactivation cable provided for maintenance.

STI-6200
Theft Alarm



1



2



3

1. Round Select-Alert Siren/Strobe

Weather resistant combination of alarm and flashing LEDs. 32 siren choices and 8 flash patterns with strobe speed control. Battery option with low battery signal and an open circuit. 85/105 dB alarm, 9-24 VDC. Can be used with push buttons, protective covers and more. IP66 Projected Rating.

STI-SA5500-^{*}
IP66 Projected Rating

^{*}Add 'A' for amber/orange, 'B' for blue, 'C' for clear (SA5500 only), 'G' for green, 'R' for red, 'W' for white

2. Rectangle Select-Alert Siren/Strobe

Combination of alarm and flashing LEDs. 32 siren choices, 8 flash patterns and strobe only or sounder only control. Offers lens tamper resistance, and an alarm trigger on power. 85/105 dB alarm, 12-24VDC. Can be used with push buttons, protective covers and more. IP54 Projected Rating.

STI-SA5600-^{*}
IP54 Projected Rating

3. Select-Alert Alarm Mini Controller

Alarm and flashing LEDs alert to any unauthorized use of important devices. Offers 32 siren choices, 5 colors. Separate alarm and strobe timing. Can be used for: access control buttons, alarm with cabinet, exit strobe, and more.

STI-SA5000-^{*}

Unauthorized entries. Stop vandalism and damage to property. Get easy wireless solution solutions. Protect devices in extreme climates and weather. Prevent false fire alarms. Prevent theft and unauthorized entries. Stop vandalism and damage to property. Get easy wireless so solutions. Protect devices in extreme climates and weather. Prevent false fire alarms. Prevent theft and unauthorized entries. Stop vandalism and damage to property. Get easy wireless so solutions. Protect devices in extreme climates and weather. Prevent false fire alarms. Prevent theft and unauthorized entries. Stop vandalism



**Safety Technology
International**

2306 Airport Road Waterford, MI 48327 U.S.A.

Phone: 248-673-9898

www.sti-usa.com

and damage to property. Get easy wireless so solutions. Protect devices in extreme climates and weather.