



SPECIFICATION

Input	Standby	Operating
9VDC	< 14µA	0.95A
12VDC	< 180µA	0.96A
24VDC	< 170µA	0.49A

Operating Temperature
 -4°F to 104°F (-20°C to 40°C)

BATTERY INSTALLATION/REPLACEMENT

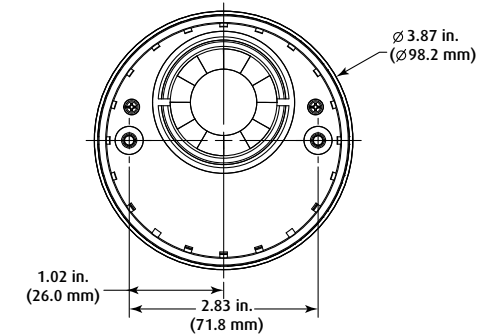
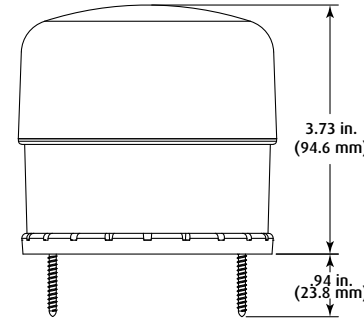
1. Unscrew lens to remove.
2. Loosen PCB screws (do not remove).
3. Gently rotate PCB without touching LED's and without damaging the reflectors.
4. Connect battery and slide under retainer.
5. Re-install PCB and tighten screws.

NOTES

1. Internal battery will provide backup power if loss of external power.
2. If no internal battery is used, remove all power and move S2-1 to "OFF" position (see detail S2).

LOW BATTERY OPERATOR

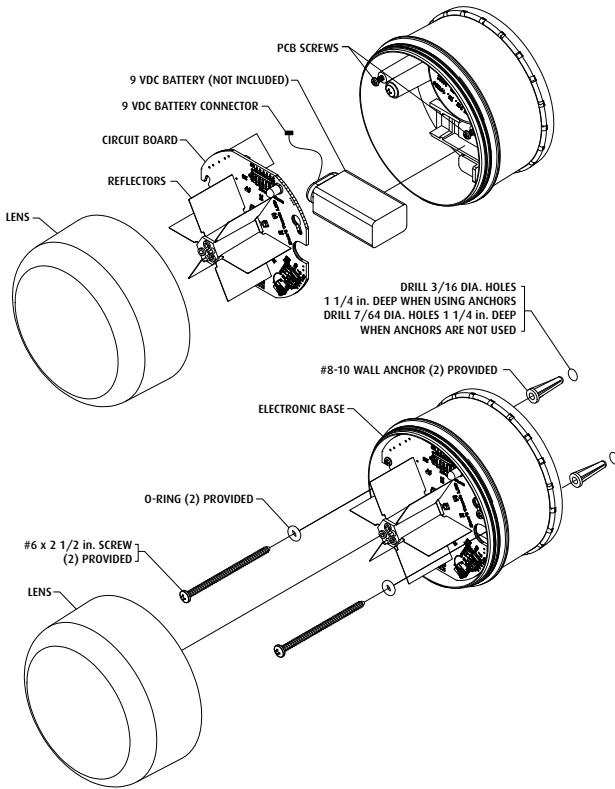
Replace battery when low battery condition occurs, Low battery LED flashes 1x per 1 minute and sounder beeps 1x per 3 minutes



S2 - LOW BAT. NOTIFICATION/STROBE CONTROL

1	2	3	4	FUNCTION
1				LOW BATTERY NOTIFICATION ON
*	0			LOW BATTERY NOTIFICATION OFF
*		0	0	RIGHT ROTATION
		0	1	SINGLE LED ROTATION
		0	1	BREATHING
		0	1	FLASHING
	1	0	0	ROTATION
	1	0	1	INDIRECT FLASHING
	1	1	0	DOUBLE LED ROTATION
	1	1	1	CONTINUOUS

*Default Settings

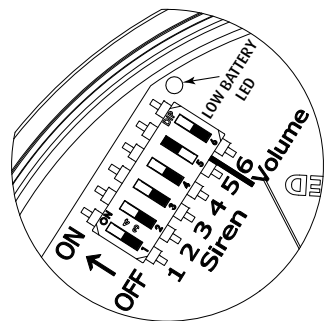


DRILL 3/16 DIA. HOLES
 1 1/4 in. DEEP WHEN USING ANCHORS
 DRILL 7/64 DIA. HOLES 1 1/4 in. DEEP
 WHEN ANCHORS ARE NOT USED

#8-10 WALL ANCHOR (2) PROVIDED

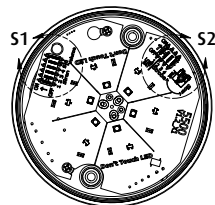
O-RING (2) PROVIDED

#6 x 2 1/2 in. SCREW
 (2) PROVIDED

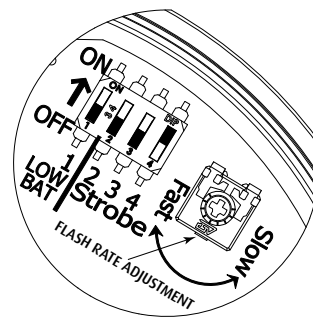


DETAIL S1

See pg. 2



DETAIL S2

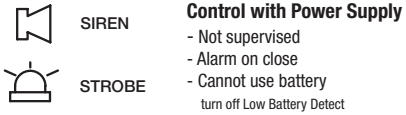


WARNING: This product can expose you to chemicals including Dichloromethane, which is known to the State of California to cause cancer, and Bisphenol A (BPA), which is known to the State of California to cause birth defects or other reproductive harm. For more information go to www.P65Warnings.ca.gov.

Three year warranty or a one year limited warranty (from date of purchase) on most products. See website for details. Electronic warranty form at www.sti-usa.com/wc14.

INSTALLATION OF STI-SA5500 SELECT ALERT SIREN/STROBE

All specifications and information shown were current as of publication and are subject to change without notice.



Control with Power Supply

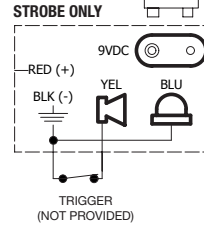
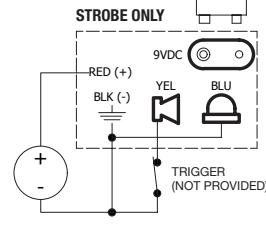
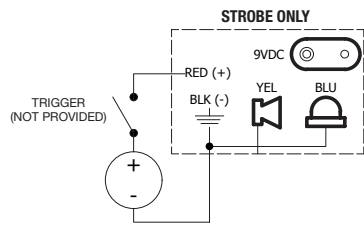
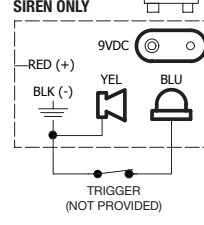
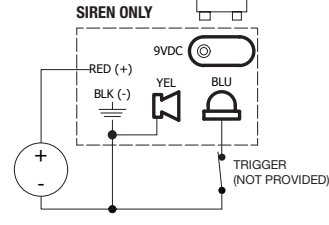
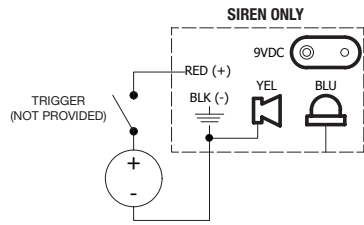
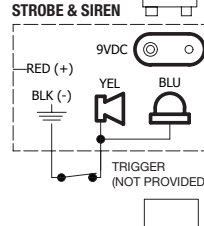
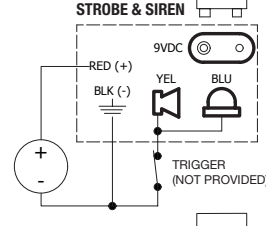
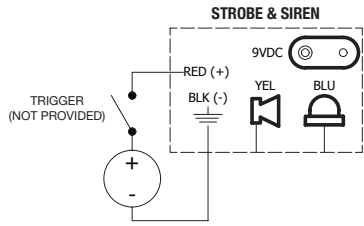
- Not supervised
 - Alarm on close
 - Cannot use battery
- turn off Low Battery Detect

Power Supply Plus Battery

- Supervised trigger
 - Alarm on open trigger
 - Low battery alert
- (Turn off if battery not used)

Battery Only

- Supervised trigger
- Alarm on open trigger
- Low battery alert



S1 ALARM TONES

1	2	3	4	5	FUNCTION
* 1	1	1	1	1	2400Hz - 2900Hz @ 3 Hz
0	1	1	1	1	970Hz, 0.5s ON/0.5s OFF x 3/1.5s OFF (ISO 8201)
1	0	1	1	1	554Hz, 0.1s/440Hz, 0.4s (AFNOR NF S 32 001)
0	0	1	1	1	420Hz 0.625s ON/0.625s OFF (AUSTRALIA AS1670 ALERT TONE)
1	1	0	1	1	800Hz - 970Hz @ 3Hz
0	1	0	1	1	660Hz 0.15s ON/0.15s OFF
1	0	0	1	1	550Hz, 0.7s/1000Hz, 0.33s
0	0	0	1	1	510Hz, 0.25s/ 610Hz, 0.25s
1	1	1	0	1	800Hz - 970Hz @ 9Hz
0	1	1	0	1	2400Hz
1	0	1	0	1	250Hz - 1200Hz @ 12Hz
0	0	1	0	1	500Hz - 1200Hz @ 0.33Hz
1	1	0	0	1	660Hz 1.8s ON/1.8s OFF
0	1	0	0	1	2850Hz, 0.5s ON/0.5s OFF x 3/1.5s OFF (ISO 8201)
1	0	0	0	1	1000-2500Hz, 0.5s/ 0.5s OFF x 3/1.5s OFF (AS1670 EVACUATION)
0	0	0	0	1	800Hz - 970Hz @1Hz
1	1	1	1	0	500Hz - 1200Hz, 3.5s ON/ 0.5s OFF (NEN 2575:2000 DUTCH SLOW WHOOP)
0	1	1	1	0	970Hz, 1s OFF/1s ON
1	0	1	1	0	970Hz
0	0	1	1	0	750Hz
1	1	0	1	0	2400Hz - 2900Hz @ 9 Hz
0	1	0	1	0	800Hz, 0.25s ON/ 1s OFF
1	0	0	1	0	800Hz / 970Hz @2Hz
0	0	0	1	0	1500Hz - 2700Hz @ 3Hz
1	1	1	0	0	800Hz / 1000Hz 0.5s each (1Hz)
0	1	1	0	0	970Hz, 0.5s/ 630Hz, 0.5s
1	0	1	0	0	550Hz/440Hz @ 0.5 Hz
0	0	1	0	0	500Hz - 1200Hz, 3.75s ON / 0.25s OFF (AS2220)
1	1	0	0	0	1200Hz - 500Hz @ 1Hz (DIN 33 404)
0	1	0	0	0	520Hz, 0.5s / 0.5s OFF x 3/1.5s OFF (FIRE)
1	0	0	0	0	500Hz - 1200Hz, 0.5s/ 0.5s OFF x 3/1.5s OFF (AS1670 EVACUATION)
0	0	0	0	0	1800Hz - 3300Hz @ 150ms

S1 VOLUME

6	FUNCTION
* 1	High volume
0	Low volume

* Default Settings



INSTALLATION OF STI-SA5500 SELECT ALERT SIREN/STROBE

All specifications and information shown were current as of publication and are subject to change without notice.