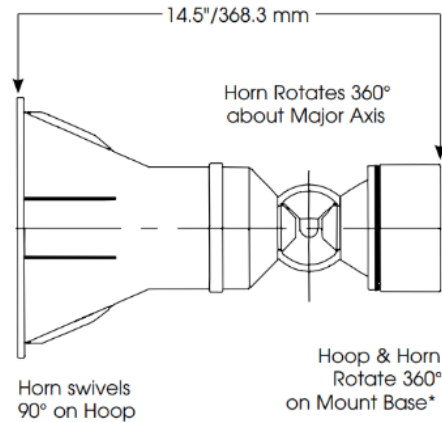
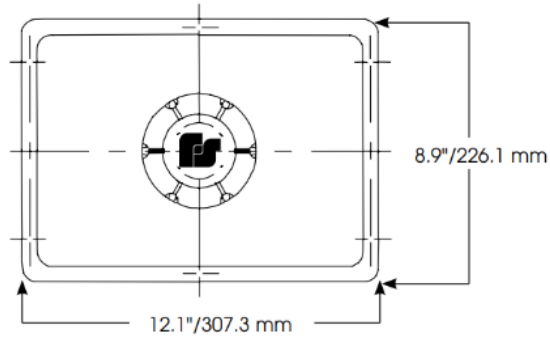




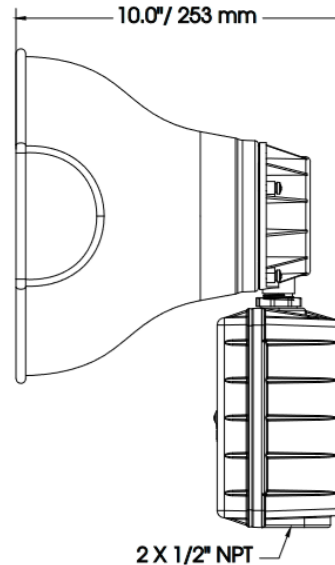
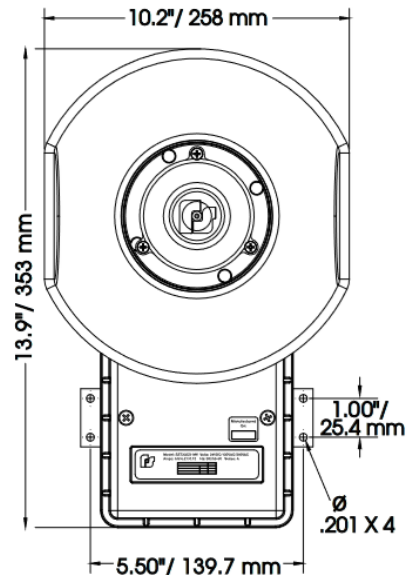
Old Model SST3-MV



Feature and Benefits

- Multi-voltage design accepts 24VDC and 120/240VAC
- Produces three tones –wail, yelp and horn
- Produces 107-111 dBa @ 10' (117-121 dBa @ 1m)
- Omni-directional swivel mount
- Indoor/outdoor use
- Type 3R enclosure (with model WB back box)
- UL and cUL Listed

New Model SST3-MV-SB



Feature and Benefits

- Multi-voltage design accepts 24VDC or 120/240VAC
- Produces three tones – wail, yelp, and horn
- Produces up to 110.5 dBa at 10' (120.5 dBa at 1M)
- Type 4X, IP66 enclosure
- IP69K compliant
- External mounting tabs
- Indoor/outdoor use
- UL and cUL Listed