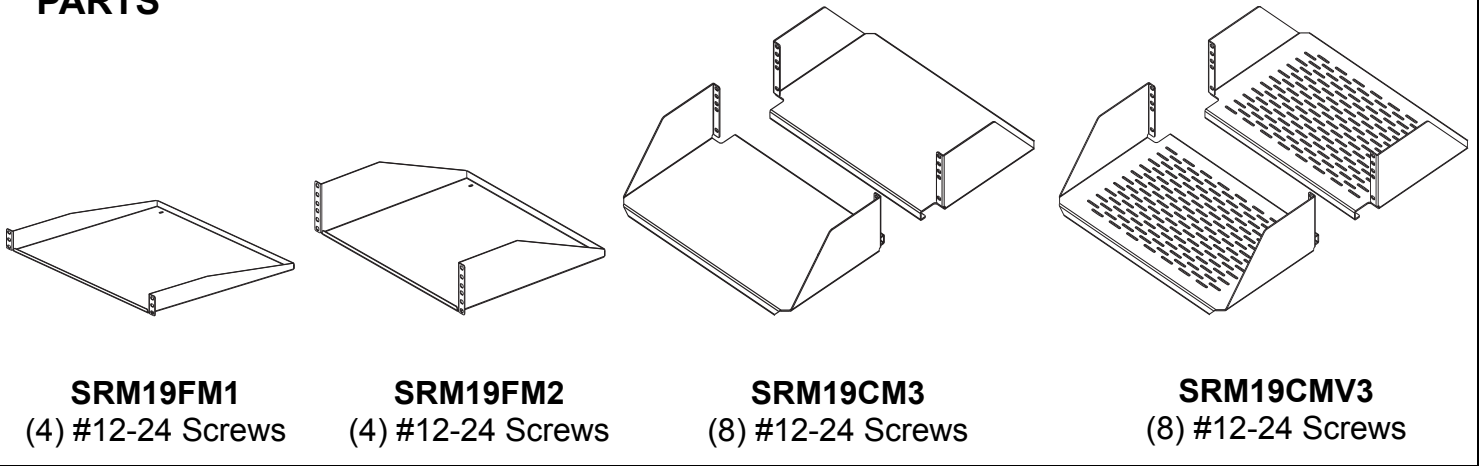


CM258A INSTALLATION INSTRUCTIONS

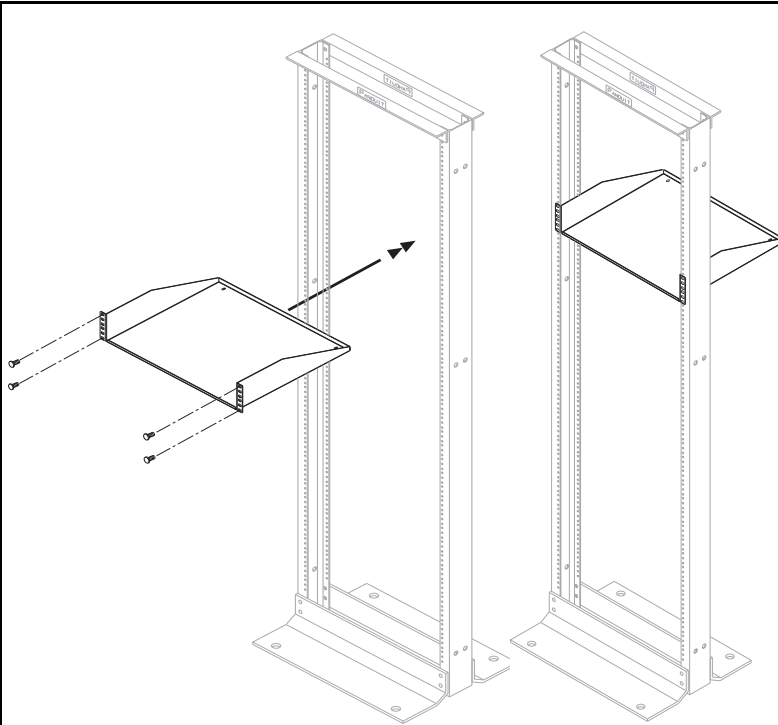
© Panduit Corp. 2013

Printed in U.S.A.

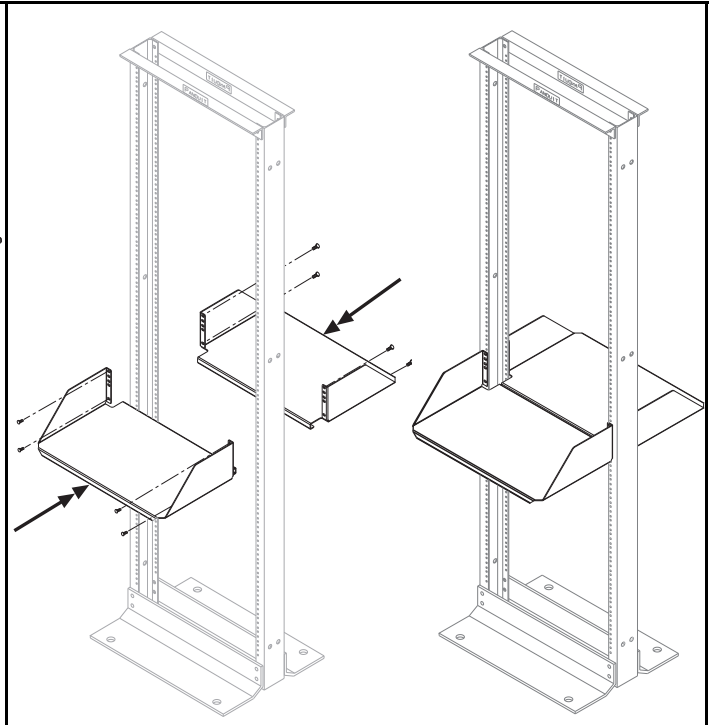
PARTS



ASSEMBLY



Attach the **SRM19FM1** or **SRM19FM2** to the rack at the desired height with the #12-24 screws provided.



Attach the **SRM19CM3** or **SRM19CMV3** to the rack at the desired height with the #12-24 screws provided.

For Instructions in Local Languages
and Technical Support:

www.panduit.com/resources/install_maintain.asp

PANDUIT
www.panduit.com

E-mail:
cs@panduit.com

Fax:
(708) 444-6448