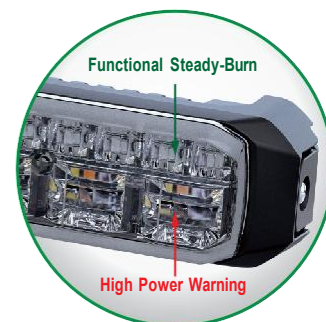


12~24VCD

SP88 Halo-Max

Dual-row Multi-function Combo Warning Light



FEATURES

- Dual-row Multi-functional combo warning light with bottom high power warning light and top functional steady-burn light.
- Independent controlled, multi-purposed Top Halo-Stripe may be used as a Tail/Brake lamp, a Position Lamp.
- Extra length profile, idea for installation in lieu of multiple lightheads
- 5 independent warning memories for varies possible usage.
- Sequential flashing pattern for traffic arrow stick usage.
- 3-ways mounting methods (Surface bracket, L-bracket, Bail-bracket) for versatile applications.
- SAE Class 1 and ECE R65 Class 2 certified high power warning output.
- Available in Single / Dual / Tri Color models.
- ECE R10 EMC Compliance and meet CISPR 25 Class 3.
- Multi-unit synchronization in simultaneous or alternating flash.
- Reverse polarity protection.
- Weatherproof and vibration resistant design for external use.
- Aluminium base for efficient heat dissipation and maximum durability.

SPECIFICATIONS

Compliance: ECE R10; CISPR 25 Class 3; IPX7;

(Bottom Row) SAE J595 Class 1; SAE J845 Class 1; CA13;
ECE R65 Class 2 (Amber, Blue, Red);
ECE R148 2a (Amber)

(Halo-Stripe) ECE R148 R1-S1 (Tail/Brake Lamp - Red);
ECE R148 A (Front Position Lamp - White);

LED Element: (Bottom Row) High-power LED x 15 pcs (Single Color);
High-power LED x 30 pcs (Dual Color);
High-power LED x 45 pcs (TriColor);
(Halo-Stripe) Medium-Power LED x 30 pcs

No. of Warning Patterns: 47

Operating Voltage: 12~24VCD

Avg. Current: 0.94A @12VCD, 0.47A @24VCD

Max. Current: 1.87A @12VCD, 0.94A @24VCD

Avg. Power: 11.25W **Max. Power:** 22.5W

Wires: Black - GND (18AWG)
White - **(Halo-Stripe)** Steady-burn Low Power (24AWG)
Brown - **(Halo-Stripe)** Steady-burn High Power (24AWG)
Red - **(Bottom Row)** Warning Mode 1 (18AWG)
Orange - **(Bottom Row)** Warning Mode 2 (24AWG)
Red+Orange- **(Bottom Row)** Warning Mode 3
Green - **(Bottom Row)** Warning Mode 4 (24AWG)
Blue - **(Bottom Row)** Warning Mode 5 or Low Power (24AWG)
Yellow - Flash Pattern & Sync (24AWG)

Wires Length: 120cm

Synchronization: up to 20 units

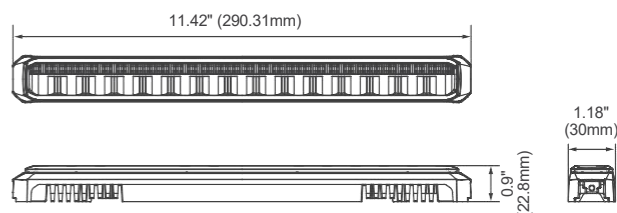
LED Color: Amber, Blue, Red, White

Lens Color: Clear

Storage Temp.: -40°C to +75°C

Working Temp.: -40°C to +65°C

DIMENSIONS



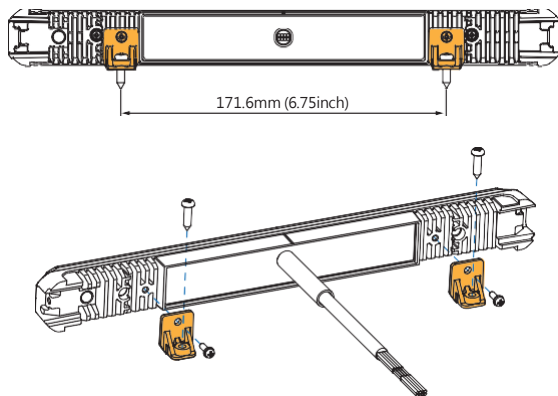
FLASH PATTERN

FP#	Flash Pattern	Available Color Mode	Remark	FP#	Flash Pattern	Available Color Mode	Remark
1	Double [2HZ]	S / D / T		25	Steady Mid	S / D / T	
2	Single [2HZ]	S / D / T		26	MINI TA RIGHT	S / D / T	
3	Triple [2HZ]	S / D / T		27	MINI TA RIGHT SOLID	S / D / T	
4	Quad [2HZ]	S / D / T		28	MINI TA RIGHT SWEEP - Left Side of a pair	S / D / T	When using as a pair of units
5	Random	S / D / T		29	MINI TA RIGHT SOLID - Left Side of a pair	S / D / T	When using as a pair of units
6	Steady EF	S / D / T	For use with an external flash controller	30	MINI TA RIGHT SWEEP - Right Side of a pair	S / D / T	When using as a pair of units
7	Single [SAE/CA13]	S / D / T		31	MINI TA RIGHT SOLID - Right Side of a pair	S / D / T	When using as a pair of units
8	Double [SAE]	S / D / T		32	Steady Low	S / D / T	
9	Triple [SAE]	S / D / T		33	MINI TA CENTER-OUT	S / D / T	
10	Quad [SAE]	S / D / T		34	MINI TA CENTER-OUT SOLID	S / D / T	
11	Quint [SAE]	S / D / T		35	Steady Cruise	S / D / T	
12	Mega	S / D / T		36	Sweep Single TA	S / D / T	
13	Giga	S / D / T		37	Turn Indicator [ECE Amber / SAE Red]	S / D / T	For use with an Intermittent flash signal with OFF delay
14	Ultra [SAE]	S / D / T		38	Turn Indicator [SAE Amber]	S / D / T	For use with an Intermittent flash signal with OFF delay
15	Single-Quad	S / D / T		39	OFF	S / D / T	
16	Single H/L	S / D / T		40	Single-Single	D	
17	Single-Triple-Quint	S / D / T		41	Double-Double	D	
18	Steady High	S / D / T		42	Triple-Triple Mid	D	
19	MINI TA LEFT SWEEP	S / D / T		43	Triple-Triple Fast	D	
20	MINI TA LEFT SOLID	S / D / T		44	Quint-Triple	D	
21	MINI TA LEFT SWEEP - Left Side of a pair	S / D / T	When using as a pair of units	45	7-1 Flash	D	
22	MINI TA LEFT SOLID - Left Side of a pair	S / D / T	When using as a pair of units	46	Quad-Single	D	
23	MINI TA LEFT SWEEP - Right Side of a pair	S / D / T	When using as a pair of units	47	Quint-Quint	D	
24	MINI TA LEFT SOLID - Right Side of a pair	S / D / T	When using as a pair of units				

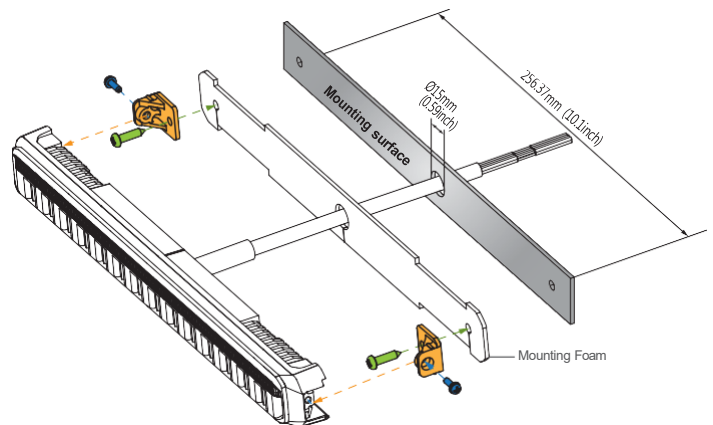
S = Single Color D = Dual Color T = Tri Color

MOUNTING EXAMPLE

▮ L-Bracket Surface Mount



▮ Surface Mount



▮ Bail (U-Bracket) Mount

