

SP204V2

Sirena programable con & controlador Unimando

12-24VCD



SP204V2
Controlador de mano 15- Botones



SP204RV2
Controlador de panel deslizante 19-Botones



PA MIC

FEATURES

- Fully programmable and customizable configuration with PC software:
 - Button & Input style: Maintained, Momentary, Timer and etc.
 - Button Interlink, Interlock & Output port.
 - Tone selection: Primary, Override, Mixer, Hands-free Tone.
 - Multi-press function.
- Two choices of controller style:
 - 15-Button Hand-held Controller w/ built-in Mic, Button buzzer, 6-Traffic Arrow indicator LEDs and power magnet mounting mechanism.
 - 19-Button w/ 4-position slide Panel Controller w/ detachable hand-held microphone, Button buzzer, 6-Traffic Arrow indicator LEDs and 1 stealth hidden button.
- 12 Outputs and 1 dry contact relay output (w/ independent N.C and N.O).
- 4 Positive or negative activated Logic Inputs and 1 voltage-variable Analogue Input.
- 12-24VCD multi-voltage Class D amplifier for low amp draw and clean sound.
- 200W amplifier supports one or two 100W speakers (11Ω).
- Selectable tone including Wail, Yelp, Phaser (Piercer), Hi-Lo, Mechanical, European Tone and etc.
- Radio Re-Broadcasting (RRB) for audio replay.
- "Record-n-Play" function: Record instant replayable messages up to 30 seconds.
- "DUAL TONE" function allows two speakers each plays different siren tone for a fanfare Effect.
- Voltage detection, programmable for auto low voltage protection.
- Special designed circuitry allow super low standby current of only 2mA during Sleep Mode.
- Sleep Mode button on controller allows ON/OFF using both Controller button directly and/or Ignition wire at the same time.
- CANbus communication ports allows connection to applicable peripheral CAN devices.
- 4 Diagnostic LED's assist installers and users to quickly find faults and/or operational issues.

SPECIFICATIONS

Compliance: SAE J1849 EVS1; ECE R10 ; CISPR 25

Input Voltage: 12-24 VCD

Standby Current:

<2 mA @ 12VCD / 24VCD (Sleep Mode)
300~550mA @ 12VCD / 24VCD (Operation Mode)

Max. Current:

20A @ 12VCD / 10A @ 24VCD (w/o light control outputs)
100A @ 12VCD / 50A @ 24VCD (w/ light control outputs)

Siren Output Power: 200W (100W Speaker x2) 11Ω

Siren Frequency: varies between tones

Operating Temp: -30°C to 65°C

I/O:

- Power
- High Current Output x3
- Logic Input x4
- Radio Audio Input
- Controller Port
- Speaker Output x2 set
- IGN(Ignition)
- Mid/Low Current Output x9
- Voltage-variable Analogue Input x1
- CANBUS Communication port
- PC Link USB Port

Light Controls: 3x 15A, 3x 10A, 2x 2A, 4x 0.25A light control outputs.

Fuse Ratings: Blade Fuse: 30A x1, 15A x3, 10A x3, 2A x2
Resettable Fuse: 0.25A x4

Cable Lengths: Connector Harness x5: 30cm
Controller RJ45 Cord: 600cm

PART NO.

Handheld Control Panel

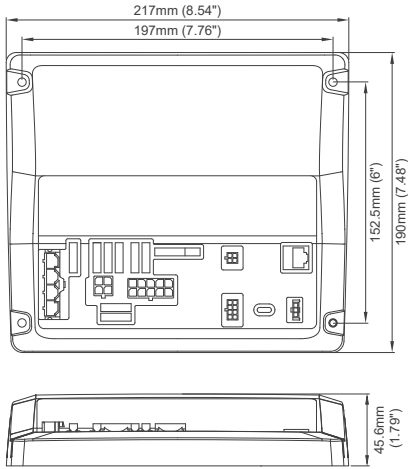
- SP204V2-11030-000 (ECE R10)
- SP204V2-21030-000 (SAE)

Remote Control Panel

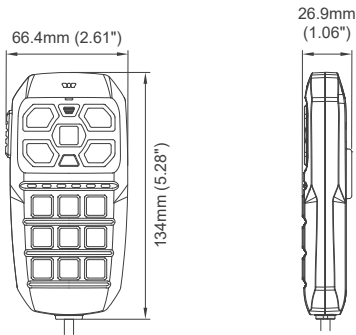
- SP204RV2-12030-000 (ECE R10)
- SP204RV2-22030-000 (SAE)

DIMENSIONS

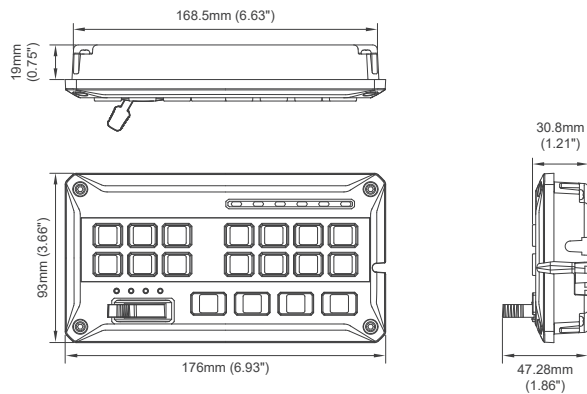
Siren Amplifier



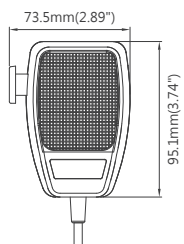
15-Button Handheld Controller (Power Magnet Mount)



19-Button w/ Slide Panel Controller



PA Microphone



SELECTABLE TONE *

Description	Tone
General	Wail
	Yelp
	Phaser (Piercer)
	Hi-Lo
	Mechanical Wail
	Alternate Wail
	Comp Wail
	Comp Yelp
	Comp Phaser (Piercer)
	Wail ISR
	Yelp ISR
Horn	Air Horn
	Air Horn Hi-Lo
	Air Horn ISR
	Air Horn KSA
Emergency Public Warning	KSA Alert
	KSA Attack
	KSA All Clear
Combo	Wail Yelp Phaser (Piercer)
Austria Ambulance	Two Tone
Austria Fire Brigade	Two Tone
Austria Magistrate	Two Tone
Austria Police	Two Tone
France Ambulance	Two Tone
France Gendarmerie	Two Tone
France Police	Two Tone
France Pompiers	Two Tone
France UMH	Two Tone
Germany Land	Two Tone
Germany Stadt	Two Tone
Italy Ambulance	Two Tone
Italy Police	Two Tone
Italy Wail	Wail
Italy Yelp	Yelp
Netherlands Police	Two Tone
Netherlands Police 2	Two Tone

*The actual list of Selectable Tones may vary based on the software version.

COMPATIBLE SPEAKER

■ Altavoz compacto SP100

