

Surface-Mount Wide-Gap Contacts

SM-216Q/BR

2³/₄" (70mm) Gap, Closed Loop, Brown

SM-216Q/GY

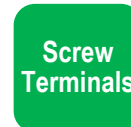
2³/₄" (70mm) Gap, Closed Loop, Gray

Features:

- Wide gap for loose-fitting doors and windows
- Surface-mount magnetic contacts
- Screw mount
- ABS plastic case has integrated mounting holes
- Contact reed switch is SPST, deactivated rhodium on gold under-plating for a longer expected life
- 2³/₄" (70mm) Gap
- For closed loop circuits
- Spacers included
- Lifetime limited warranty



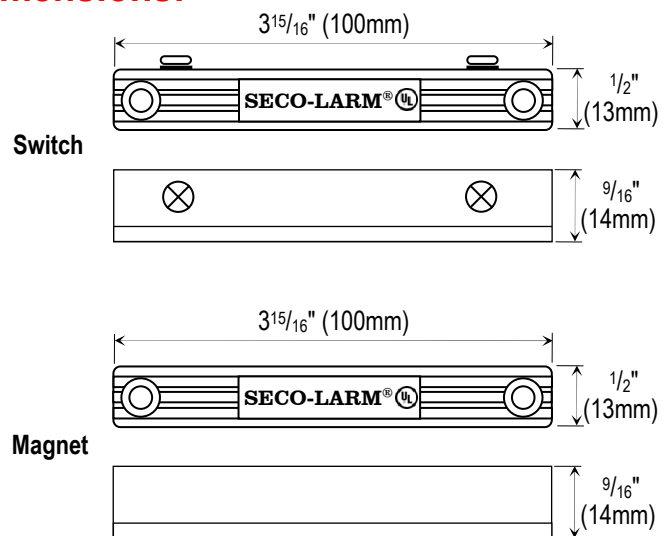
SM-216Q/GY shown



Specifications:

Model number	SM-216Q/BR	SM-216Q/GY
Circuit type	Closed loop	
Operation gap	2 ³ / ₄ " (70mm)	
Color	Brown	Gray
Terminals	Screw-type	
Material	Case	High-impact ABS plastic
	Contacts	Deactivated rhodium on gold under-plating
Contact rating	0.1A@100VDC (max)	
	1.0A@10VDC (max)	
	10W (max)	
Temperature	-15°~160°F (-25°~70°C)	
Switch cycles	50 Million (0.1mA@5VDC)	
Switch dimensions	3 ¹⁵ / ₁₆ "x9 ⁹ / ₁₆ "x1 ¹ / ₂ " (100x14x13mm)	
Magnet dimensions	3 ¹⁵ / ₁₆ "x9 ⁹ / ₁₆ "x1 ¹ / ₂ " (100x14x13mm)	
Magnet type	Alnico 5	

Dimensions:



SECO-LARM® U.S.A., Inc.

16842 Millikan Avenue, Irvine, CA 92606

Phone: (949) 261-2999 | (800) 662-0800 Fax: (949) 261-7326

Website: www.seco-larm.com Email: sales@seco-larm.com



Copyright 2015 © SECO-LARM U.S.A., Inc. All rights reserved. All trademarks are the property of SECO-LARM U.S.A., Inc. or their respective owners. The SECO-LARM policy is one of continual development. For that reason, SECO-LARM reserves the right to change prices and specifications without notice. SECO-LARM is not responsible for misprints.

SECO-LARM® ENFORCER® CRIMEBUSTER® CBA SLI®

PiSM-216Q_150504.docx