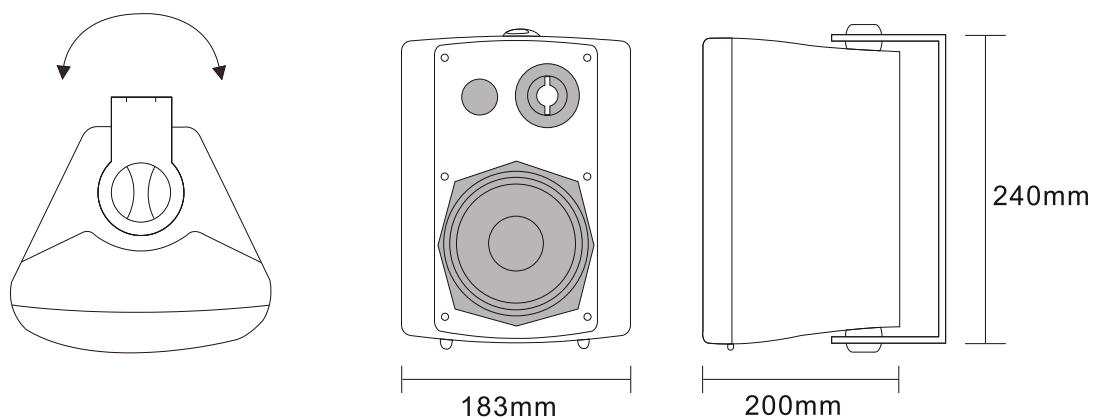




## Appearance



## Specifications

<b>RMS</b>	20W x 2 @ 8Ω
<b>Input Sensitivity</b>	0.5V
<b>Frequency Response</b>	80Hz-18KHz/1W, ±0.5dB
<b>THD</b>	20Hz-20KHz/1W, 0.05%
<b>Damping Factor</b>	>200@8Ω/400Hz
<b>Conversion Rate</b>	30V/US
<b>Channel Degree of Separation</b>	>75dB
<b>S.N. Ratio</b>	>95dB
<b>Amplifier</b>	AB class
<b>Indication</b>	Power and channel signal
<b>Protection</b>	High temp, overload, short circuit and clip
<b>Treble Control</b>	±10dB
<b>Bass Control</b>	±10dB
<b>Input Connector</b>	Balanced phoenix connector, dual RCA and stereo 3.5mm earphone input
<b>AC Power Supply</b>	120VAC 50/ 60Hz
<b>Dimensions</b>	183 x 200 x 240mm
<b>Weight</b>	4.7Kg (per pair)