

2025 *SEETRONIC*

SEETRONIC

Ideas for Connection



About SEETRONIC

Products



Market





SEETRONIC is a national high-tech enterprise integrating R&D, production and sales of interconnectivity equipment systems for audio, video, lighting, automation and communication fields. The company covers an area of 18,000 square meters with more than 200 employees and an annual output of more than 20 million pieces/sets of connectors. The company adheres on technical innovation and after years of accumulation, the company has more than 70 independent intellectual property rights in signal control, power supply, data connector molding, mechanical structure and other technical fields.

Our products have passed VDE, CUL, TUV, PSE, CQC, RoHS, REACH and other certifications. We continuously aim the most cutting-edge technology in the application field and are committed to providing customers around the world with high-quality products in line with market demand.

Successful Applications

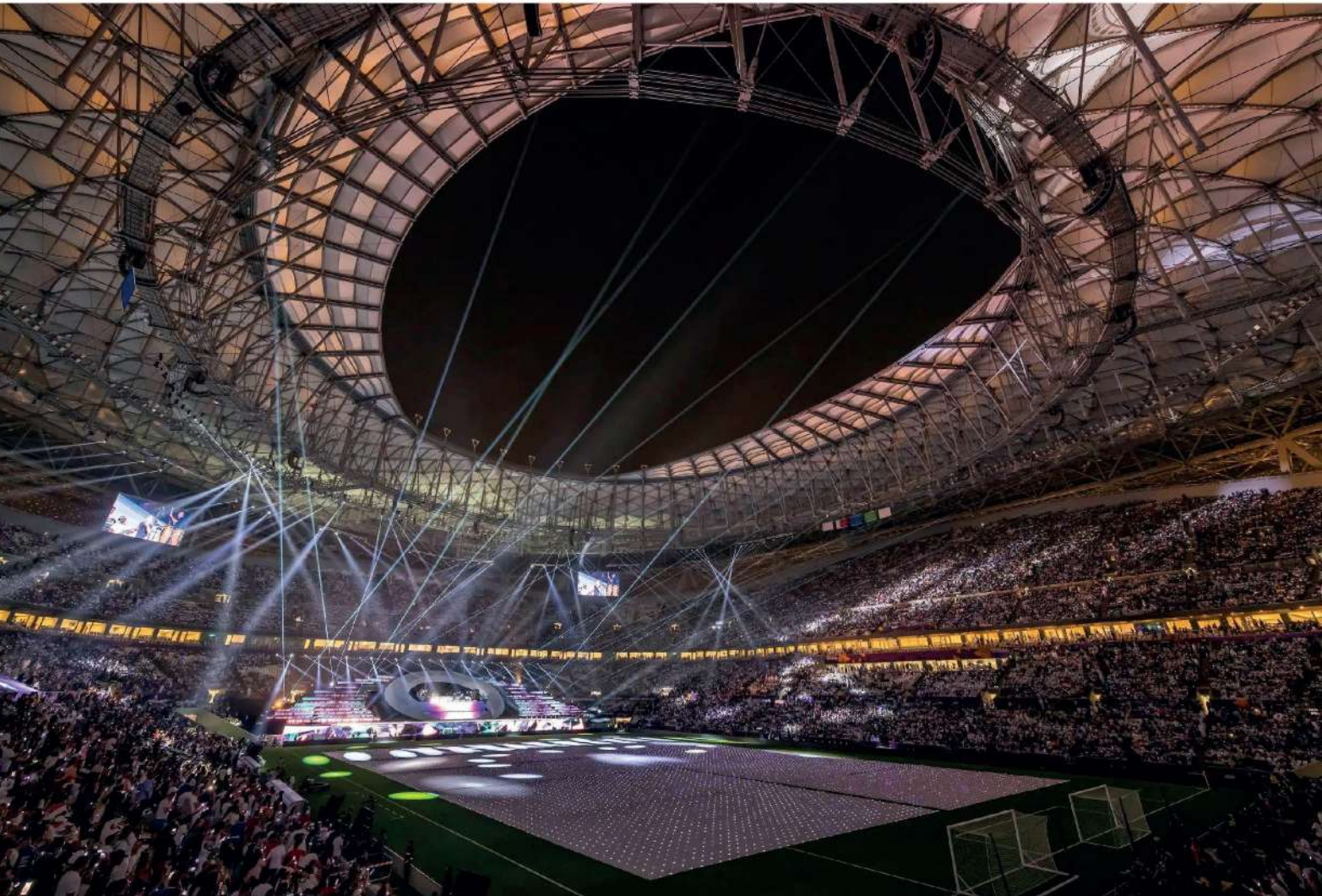


Dubai World Expo 2020

As a world-class exhibition event, the Expo 2020 in Dubai provides an important opportunity for Seetronic to enter the world stage and show Seetronic strength and win recognition and attention.

The world's cutting-edge technologies have come together to create a colorful and magical pavilions and buildings. The beautiful light and shadow have injected its soul into it and this sci-fi extravaganza will surely become the muse of inspiration for countless designers.

The light and shadow show at the Dubai World Expo witnessed the visual shock of the world's top designers using light and shadow to turn "science fiction" into reality! This is all possible with the support of Seetronic prod.



Qatar World Cup 2022

The exciting events on the 2022 FIFA World Cup in Qatar had sparked high emotions among fans around the world. At the beginning of the preparation for the event, Qatar spent 220 billion US dollars on infrastructure in order to establish a good national image. As a key component of smart cities and smart stadiums, LED screens of different sizes and functions were widely used in the construction of venues and cities, and Chinese companies have picked up the “big beam” of LED screen supply.

And thus, SEETRONIC provided these LED screens with excellent and high performance products to usher the even



Successful Applications



Beijing Winter Olympics 2022

The 2022 Beijing Winter Olympics display screen has a total area of 11,626 square meters with a ground screen of 155.6 meters long and 75.8 meters wide, and the icefall area is 57 meters high and 20 meters wide. The resolution of the ground screen alone reached 14880x7248. With a total resolution of more than 16K, the ground screen and icefall area together formed the world's largest LED three-dimensional stage.

A total of 140,000 sets of SEETRONIC signal connectors and power connectors were used in this Winter Olympics. SEETRONIC signal and power connectors provided stable support for the lighting display.



Hangzhou Asian Games 2023

The 19th Asian Games in Hangzhou (referred to as the “Hangzhou Asian Games”) was grandly opened at the Hangzhou Olympic Sports Center Stadium also called as Big Lotus. This is the third time that China has hosted a highest international multi-sports event in Asia after the 1990 Beijing Asian Games and the 2010 Guangzhou Asian Games.

As a well-known lighting and display supporting enterprise, Ningbo Seetronic Electronic Technology Co., Ltd. was honored to become the overall solution provider for the display screen connectors and cables. Seetronic provided stable support with excellent technical strength and professional services and helping the event to show to the world a beautiful feast of national style.



CONTENTS

RJ45 Connectors

- H Series IP65 02
- 01 Series 04
- 02 Series IP65 (Outdoor) 08
- 02 Series IP67 (Outdoor) 13
- 02 Series Combined Sockets 14
- 05 Series IP65 (Outdoor) 15
- RJ45 Adapters 19

Power Connectors

- X Series IP67 21
- Indoor Series 24
- NW Series IP65 (Outdoor) 26
- X Series IP65 (Outdoor) 28
- X Series IP65 Auto-Close Cover 31
- G Series IP65 (Outdoor) 32

XLR Connectors

- W Series IP67 35
- H Series 38
- M Series 39
- XLR Sockets 40
- W Series IP65 (Outdoor) 43

Optical Fiber Connectors & Cables

- M Series LC 46
- H Series LC 48
- H Series MPO 49
- Expanded Beam 51
- Assembled Optical Fiber Cables 52

Loudspeaker Connectors

- Plugs & Sockets 54

Plugs & Jacks | RCA Connectors

- 1/4" Plugs & Jacks 58
- 3.5mm Plugs & Jacks 59
- RCA 61

BNC Connectors

- 75Ω UHD 63
- 75Ω HD/UHD 65

Data Connectors

- USB & HDMI 67

Adapters

- Metal Adapters 69
- Plastic Adapters 71

Stainless Steel RJ45 Connector

Rugged, Durable and Long Service Life

IP65 Protection Class





Specially designed for stage rental
 Not easily damage and crush
 Won't get stuck when mated with a socket
 Wider cable diameter range of 5-9 mm



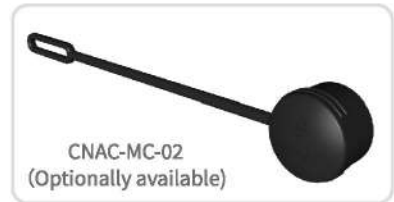
● SE8MH-02



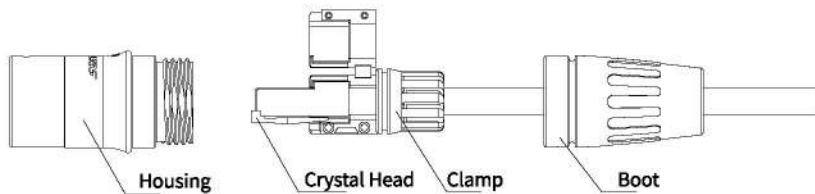
● SE8MH-02-B

Features

- Stainless steel housing resistant to drop and pressure. It can still operate stably under harsh conditions and especially suitable for stage rental environment
- IP65 protection rating, suitable for any harsh and demanding outdoor environment and can matched with vast majority of RJ45 sockets in the market
- Unique cable clamp locking clip, cable connector carrier and does not include RJ45 plug
- Protects Ethernet connections and crystal heads in most commercial applications
- Matched with standard and dovetail clamp RJ45 crystal heads



Product Models		Description		
SE8MH-02	H-Series stainless steel RJ45 plug	IP65	stainless steel housing	Cable O.D. 5-7.5 mm
SE8MH-02-B	H-Series stainless steel RJ45 plug	IP65	black plated housing	Cable O.D. 5-7.5 mm
SE8MH-02-LOD	H-Series stainless steel RJ45 plug	IP65	stainless steel housing	Cable O.D. 7.5-9 mm
SE8MH-02-B-LOD	H-Series stainless steel RJ45 plug	IP65	black plated housing	Cable O.D. 7.5-9 mm



● SE8MH-02(Parts Diagram)

SEETRONIC

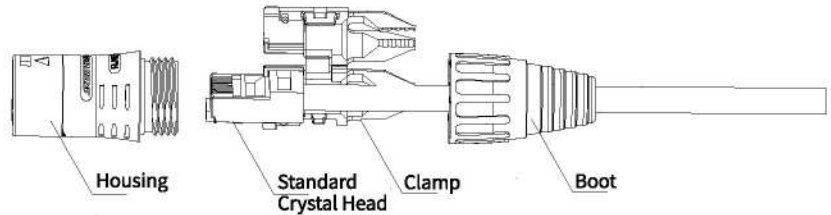


Features

- Suitable for any harsh and demanding environment and fits most RJ45 sockets in the market
- Rugged die-cast housing and unique cable clamp, cable connector carrier and does not include RJ45 crystal head
- Protects Ethernet connections and crystal heads in commercial applications



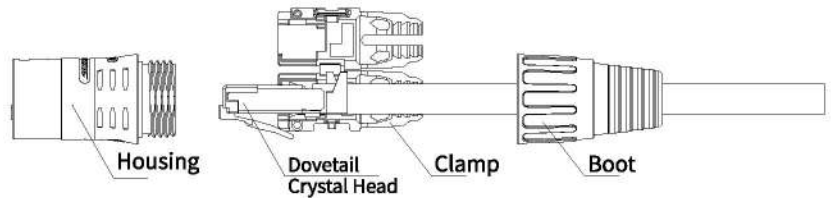
● SE8MC-1-*



● SE8MC-1-NEW (Parts Diagram)



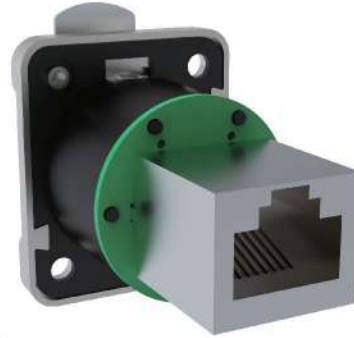
● SE8MC-1-B-*



● SE8MC-1-30-LOD (Parts Diagram)

Service life	>1000 mating cycles
Locking device	latch lock
Boot	Polyamide
Housing	Zinc diecast
Housing plating	Pearl Cr
Temperature range	-30°C to +80°C

Product Models		Description	
SE8MC-1-NEW	Match with standard crystal head	Chrome plated housing	Cable O.D. 5-7mm
SE8MC-1-B-NEW	Match with standard crystal head	Black plated housing	Cable O.D. 5-7mm
SE8MC-1-32	Match with standard/dovetail clamp crystal head	Chrome plated housing	Cable O.D. 5-7.5mm
SE8MC-1-32-B	Match with standard/dovetail clamp crystal head	Black plated housing	Cable O.D. 5-7.5mm
SE8MC-1-30-LOD	Match with standard/dovetail clamp crystal head	Chrome plated housing	Cable O.D. 7.5-9mm
SW8MC-1-30-B-LOD	Match with standard/dovetail clamp crystal head	Black plated housing	Cable O.D. 7.5-9mm



● SE8FDNH-13



● SE8FDNH-24



● SE8FDNH-42



● SE8FDNV-06



● SE8FDNV-11



● SE8FDNV-27



● SE8FDNV-29



● SE8FDNV-30



● SE8FDNS-12

Features

- Complies with TIA/EIA 568B and ISO/IEC 11801 and compatible with transmission class CAT5E
- Mountable on the front of the panel

Product Models		Description
SE8FDNH-13	RJ45 D-shape panel connector with uniform metal flange	Feedthrough crystal head
SE8FDNH-24	RJ45 D-shape panel connector with uniform metal flange	Single-row PCB soldering
SE8FDNH-42	RJ45 D-shape panel connector with uniform metal flange	Inserted double-row holes PCB soldering
SE8FDNV-06	RJ45 D-shape panel connector with uniform metal flange	90°8-Pin header with opening facing downward
SE8FDNV-11	RJ45 D-shape panel connector with uniform metal flange	90°crystal head with opening facing upward
SE8FDNV-27	RJ45 D-shape panel connector with uniform metal flange	90°crystal head with opening facing downward
SE8FDNV-29	RJ45 D-shape panel connector with uniform metal flange	Feedthrough 8-Pin header, downward opening
SE8FDNV-30	RJ45 D-shape panel connector with uniform metal flange	Feedthrough 8-Pin header, upward opening
SE8FDNS-12	RJ45 D-shape panel connector with uniform metal flange	Double-row hole PCB soldering



● SE8FAH-C6-LED



● SE8FAV-C6



● SE8FBV-C6



● SE8FBV-C6-LED

Features

- Match with most standard RJ45 plug in the market
- Approved latch lock system and rugged metal/plastic flange
- Install from behind the panel with maximum panel thickness 3.0mm
- Transmission class CAT6A according to TIA/EIA 568B and ISO/IEC 11801 standards
- PoE++ compliant according to 802.3bt standard



LED Light Pipe



Back Connection Type



Product Models		Description			
SE8FAH-C6-LED	Horizontal PCB mounting	CAT6	PoE++	Two light pipes through the plastic panel	
SE8FAV-C6-LED	Vertical PCB mounting, panel to PCB distance 24mm	CAT6	PoE++	Two light pipes through the plastic panel	
SE8FBH-C6-LED	Horizontal PCB mounting	CAT6	PoE++	Two light pipes through the metal panel	
SE8FBV-C6-LED	Vertical PCB mounting, panel to PCB distance 24mm	CAT6	PoE++	Two light pipes through the metal panel	
SE8FAH-C6	Horizontal PCB mounting	CAT6	PoE++		
SE8FAV-C6	Vertical PCB mounting, panel to PCB distance 24mm	CAT6	PoE++		
SE8FBH-C6	Horizontal PCB mounting	CAT6	PoE++		
SE8FBV-C6	Vertical PCB mounting, panel to PCB distance 24mm	CAT6	PoE++		



Features

- Complies with TIA/EIA 568B and ISO/IEC 11801 and compatible with transmission class CAT5E

Product Models		Description	
SE8FDP	RJ45 D-shape panel connector	Uniform metal flange	Feedthrough crystal head at the rear
SE8FD-H	RJ45 D-shape panel connector	Uniform metal flange	90°crystal head with opening facing downward
SE8FDV	RJ45 D-shape panel connector	Uniform metal flange	PCB insertion at the rear
SE8FDH-N	RJ45 D-shape panel connector	Uniform metal flange	PCB rear-end



Features

- Match with most standard RJ45 plug in the market
- Mountable at the rear of the panel

Product Models			Description
SE8FAH	RJ45 socket	Plastic panel	Horizontal PCB mounting
SE8FAV	RJ45 socket	Plastic panel	Vertical PCB mounting, panel to PCB distance 18.3mm
SE8FBH	RJ45 socket	Metal panel	Horizontal PCB mounting
SE8FBV	RJ45 socket	Metal panel	Vertical PCB mounting, panel to PCB distance 18.3mm



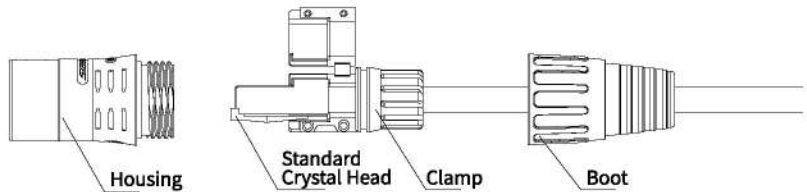
● SE8MC-02-NEW

Features

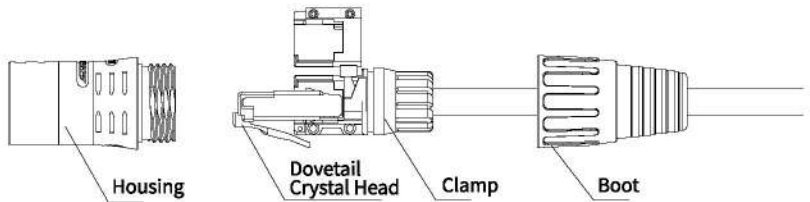
- Suitable for any harsh and demanding outdoor environment with IP65 protection rating
- Rugged die-cast housing and unique cable clamp
- Cable connector carrier and does not include RJ45 plug
- Protects Ethernet connections and crystal heads in commercial applications



● SE8MC-02-B-NEW



● SE8MC-02-NEW(Parts Diagram)



● SE8MC-02-30-LOD(Parts Diagram)



● CNAC-MC-02

Service life	> 1000 mating cycles
Insertion force	≤ 20 N
Locking device	latch lock
Boot	Polyamide
Shell	Zinc diecast
Shell plating	Pearl Cr / Black
Temperature range	-30°C to +80°C

Product Models		Description	
SE8MC-02-NEW	Match standard crystal heads	Chrome plated housing	Cable O.D. 5-7mm
SE8MC-02-B-NEW	Match standard crystal heads	Black plated housing	Cable O.D. 5-7mm
SE8MC-02-32	Match standard/dovetail clamp crystal heads	Chrome plated housing	Cable O.D. 5-7.5mm
SE8MC-02-32-B	Match standard/dovetail clamp crystal heads	Black plated housing	Cable O.D. 5-7.5mm
SE8MC-02-30-LOD	Match standard/dovetail clamp crystal heads	Chrome plated housing	Cable O.D. 7.5-9mm
SE8MC-02-30-B-LOD	Match standard/dovetail clamp crystal heads	Black plated housing	Cable O.D. 7.5-9mm



● SE8FC



● SE8FC-C6A



● SE8FC-C6A-LOD

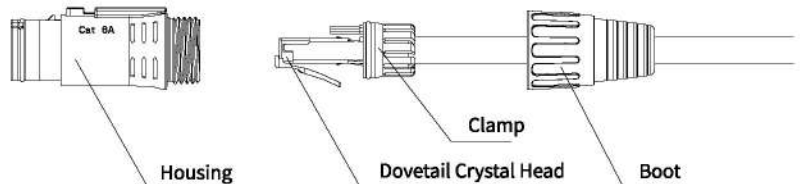
Features

- RJ45 female plug, transmission class CAT5E
- Match with SE8MC-02-* for cable extension and enables air docking when mated
- Cable carrier connector and does not include RJ45 plug
- Achieves free-end conversion, more economical and convenient, and in line with the trend of miniaturization



Features

- RJ45 female plug, upgraded version of SE8FC
- Waterproof IP65 rating when mated with SE8MC-02-*
- Cable carrier connector and does not include RJ45 plug
- Transmission class CAT6A according to TIA/EIA 568B and ISO/IEC 11801 standards
- PoE++ compliant according to 802.3bt standard



● SE8FC-LOD-C6A(Parts Diagram)

Features

- Match with SE8MC-02-* or any standard RJ45 plug
- RJ45 female plug, free end for flexible use and not easy to get loose

Product Models		Description			
SE8FC	Outdoor RJ45 female plug	Chrome plated housing	Cable O.D. 5-7mm	CAT5E	
SE8FC-C6A	Upgraded SE8FC	Chrome plated housing	Cable O.D. 5-7.5mm	CAT6A	PoE++
SE8FC-C6A-LOD	Outdoor FJ45 female plug	Chrome plated housing	Cable O.D. 7.5-9mm	CAT6A	PoE++



● SE8FDYH-03



● SE8FDYH-16



● SE8FDYH-28



● SE8FDY-02



● SE8FDY-02-DC



● SE8FDYH-18-B



● SE8FDYV-15



● SE8FDYH-44



● SE8FDYH-23

Features

- Transmission class CAT5E and complies according to TIA/EIA 568B and ISO/IEC 11801 standards
- Install on the front of the panel
- Equipped with waterproof rubber gasket as a standard. When mated with waterproof gasket, it can reach IP65 protection level which provides long-lasting stable signal transmission in harsh outdoor conditions

Product Models	Description
SE8FDYH-03	Outdoor RJ45 D-type panel connector with uniform metal flange Feedthrough crystal head
SE8FDYH-16	Outdoor RJ45 D-type panel connector with uniform metal flange 90° crystal head with opening facing upward
SE8FDYH-28	Outdoor RJ45 D-type panel connector with uniform metal flange 90° crystal head with opening facing downward
SE8FDY-02	Outdoor RJ45 D-type panel connector with uniform metal flange 8P header with opening facing upward
SE8FDY-02-DC	Outdoor RJ45 D-type panel connector with uniform metal flange 8P header with opening facing downward
SE8FDYH-18-B	Outdoor RJ45 D-type panel connector with uniform metal flange 180° 1.5 pitch 8P header, black flange
SE8FDYV-15	Outdoor RJ45 D-type panel connector with uniform metal flange 90° 8P header with opening facing downward
SE8FDYH-44	Outdoor RJ45 D-type panel connector with uniform metal flange Single row wire-bonded PCB insert
SE8FDYH-23	Outdoor RJ45 D-type panel connector with uniform metal flange Dual row wire-bonded PCB



● SE8FDYH-60-B



● SE8FDYH-63-B



● SE8FDYH-61-B



● SE8FDYH-64-B



● SE8FDYH-62-B



● SE8FDYH-66-B

Features

- New anti-leakage upgrade series with better protection and extending service lifetime of the equipment
- Reliable internal sealing system which prevents water vapor from entering the device
- IP65 protection level when plug and socket are mated
- Standard D-shape mounting dimensions with uniform black metal flange
- Transmission class CAT5E and complies according to TIA/EIA568B and ISO/IEC11801 standards
- Provides reliable and guaranteed continuous and stable signal transmission under mobile conditions
- Equipped with waterproof rubber gasket as a standard

Product Models	Description			
SE8FDYH-60-B	Outdoor RJ45 D-type panel connector	Black metal flange	Airproof	Feedthrough crystal head
SE8FDYH-61-B	Outdoor RJ45 D-type panel connector	Black metal flange	Airproof	90° crystal head with opening facing upward
SE8FDYH-62-B	Outdoor RJ45 D-type panel connector	Black metal flange	Airproof	8P header, opening facing downward
SE8FDYH-63-B	Outdoor RJ45 D-type panel connector	Black metal flange	Airproof	Single row 8P header
SE8FDYH-64-B	Outdoor RJ45 D-type panel connector	Black metal flange	Airproof	Single row solder holes
SE8FDYH-66-B	Outdoor RJ45 D-type panel connector	Black metal flange	Airproof	10P header, opening facing rearward
SE8FDYH-66-B-C6	Outdoor RJ45 D-type panel connector	Black metal flange	Airproof	8P header, opening facing rearward



● SE8FDYH-60-B-C6A

Features

- Standard D-type mounting dimensions with uniform metal flange
- Transmission class CAT6A and complies according to TIA/EIA 568B and ISO/IEC 11801 standards
- PoE++ compliant according to 802.3bt standard
- Install on the front of the panel
- Equipped with waterproof rubber gasket as a standard. When mated with waterproof gasket, it can reach IP65 protection level which provides long-lasting stable signal transmission in harsh outdoor conditions
- All-metal housing with shielding

Product Model

Description

SE8FDYH-60-B-C6A	Outdoor RJ45 D-shape panel connector	All-metal and shielded housing	IP65	Airproof	CAT6A	PoE++
------------------	--------------------------------------	--------------------------------	------	----------	-------	-------





● SE8MC-02-67

Features

- RJ45 plug with chrome plated housing
- Rugged die-cast housing with IP67 protection rating for extreme outdoor environment
- Protects Ethernet connections and crystal heads in commercial applications



● SE8FDYH-60-67-B-SP



● SE8FDYH-62-67-B-SP



● SE8FDYH-62-67-B-L-SP

Features

- RJ45 socket with uniform metal flange and standard D-shape mounting dimensions
- All metal black plated housing with shielding
- Mount on the front of the panel
- Reliable internal sealing treatment which prevents water vapor from entering the equipment
- Equipped with rubber gasket cover as a standard. IP67 protection rating when mated with SE8MC-02-67 plug and meets long-lasting stable signal transmission in harsh outdoor conditions

Product Models		Description	
SE8MC-02-67	Outdoor RJ45 female plug	Cable O.D. 5-7 mm	/
SE8FDYH-60-67-B-SP	RJ45 D-type panel connector	180° crystal head	CAT5E
SE8FDYH-62-67-B-SP	RJ45 D-type panel connector	180° 8P header	CAT5E
SE8FDYH-62-67-B-L-SP	RJ45 D-type panel connector	180° 8P header, rubber cap covers from the left	CAT5E



• SE8CYH-60-B-NS



• SE8CYH-70-B-NS

Features

- Combined design structure increases aesthetics and miniaturizing the mounting panel
- All metal housing with shielding
- Install on the front of the panel
- Reliable internal sealing treatment which prevents water vapor from entering the device
- Equipped with rubber gasket cover as a standard, mated with rubber cover can achieve IP65 protection rating which provides long lasting stable signal transmission in harsh outdoor conditions

Product Models		Description		
SE8CYH-60-B-NS	RJ45 combined socket with 180° crystal head	Black plated housing	CAT5E	
SE8CYH-61-B	RJ45 combined socket with 90° crystal head	Black plated housing	CAT5E	
SE8CYH-62-B	RJ45 combined socket with 180° pin header	Black plated housing	CAT5E	
SE8CYH-70-B-NS	RJ45 combined socket with 180° terminal block	Black plated housing	CAT5E	



● SE8MC-05-NEW



● SE8MC-05-30-LOD



● SE8MC-05-32

Features

- Sturdy die-cast housing and unique cable clamp, more robust and not easily deform as compared with traditional RJ45 plugs
- Exceptionally quick plugging and unplugging with one-hand operation which saves time
- Push-button latch is designed on the plug with internal spring inside for easy locking/unlocking
- Cable connector carrier and does not include RJ45 crystal head
- Protects Ethernet connections and crystal heads in commercial applications



● SE8FC-05



● SE8FC-05-C6A



● SE8FC-05-C6A-LOD

Features

- 05-Series IP65 RJ45 female plug, free end flexibility, not easily to get loose
- Match with SE8MC-05-* for cable extension and air-docking when mated
- Cable connector carrier and does not include RJ45 crystal head
- Good appearance design and more convenient and in line with the trend of miniaturization

Product Models		Description		
SE8MC-05-NEW	Chrome housing	Cable O.D. 5-7mm	CAT5E	
SE8MC-05-30-LOD	Chrome housing	Cable O.D. 7.5-9mm	CAT5E	
SE8MC-05-32	Chrome housing	Cable O.D. 5-7.5mm	CAT5E	
SE8FC-05	Chrome housing	Cable O.D. 5-7mm	CAT5E	
SE8FC-05-C6A	Chrome housing	Cable O.D. 7.5mm	CAT6A	PoE++
SE8FC-05-C6A-LOD	Chrome housing	Cable O.D. 7.5-9mm	CAT6A	PoE++



● SE8FD05-01-C6A

Features

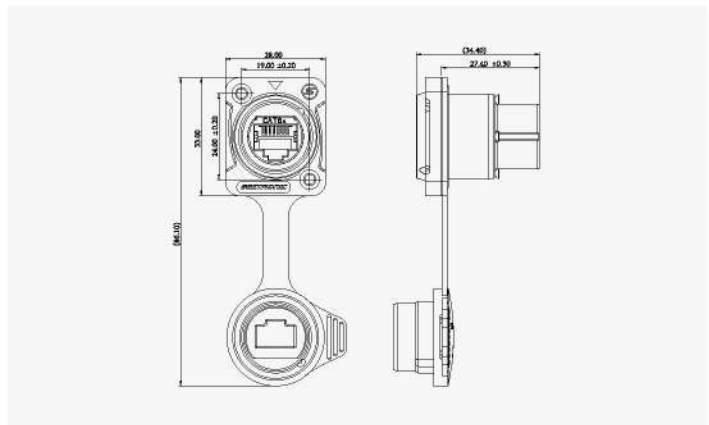
- Features uniform metal flange and standard D-type mounting dimensions
- Install on the front of the panel, feedthrough RJ45, match with SE8MC-05-*
- Equipped with waterproof rubber gasket as standard and internal sealing system which prevents water vapor from entering the device
- Transmission class CAT6A and complies according to TIA/EIA 568B and ISO/IEC 11801 standards PoE++ compliant according to 802.3bt standard
- Reliable for continuous and stable signal transmission under mobile conditions



● SE8FD05-C6A

Features

- Features uniform metal flange and standard D-type mounting dimensions
- Install on the front of the panel, feedthrough RJ45, match with SE8MC-05-*
- Equipped with waterproof rubber gasket as standard, IP65 protection rating when mated with waterproof gasket which can meet long-lasting and stable signal transmission in harsh outdoor conditions
- Transmission class CAT6A and complies according to TIA/EIA 568B and ISO/IEC 11801 standards
- Reliable for continuous and stable signal transmission under mobile conditions



Product Models		Description			
SE8FD05-C6A	RJ45 D-type panel connector, feedthrough	IP65		CAT6a	
SE8FD05-01-C6A	RJ45 D-type panel connector, feedthrough	IP65	Airproof	CAT6a	PoE++



● SE8FD05-01



● SE8FD05-02



● SE8FD05-03



● SE8FD05-40



● SE8FD05-30-22



● SE8FD05-23

Features

- RJ45 socket with uniform metal flange and standard D-shape mounting dimensions
- Match with SE8MC-05-*
- Mated with gasket cover can achieve IP65 protection level which provides long-lasting and stable signal transmission in harsh outdoor conditions
- Transmission class CAT5E and complies according to TIA/EIA 568B and ISO/IEC 11801 standards
- Equipped with waterproof rubber gasket as standard

Product Models		Description	
SE8FD05-01	Outdoor RJ45 D-type panel connector	Feedthrough crystal head	IP65
SE8FD05-02	Outdoor RJ45 D-type panel connector	Upward 90° crystal head	IP65
SE8FD05-03	Outdoor RJ45 D-type panel connector	8P header opening facing downward	IP65
SE8FD05-23	Outdoor RJ45 D-type panel connector	PCB	IP65
SE8FD05-30-22	Outdoor RJ45 D-type panel connector	wire-soldered PCB, pin length can be customized	IP65
SE8FD05-40	Outdoor RJ45 D-type panel connector	wire-soldered	IP65



● SE8C05-01-BC



● SE8C05-01-BC



● SE8C05-27-BC

Features

- RJ45 combined socket with metal flange for use with SE8MC-05-*
- The design of one-piece structure increases the aesthetics while miniaturizing the mounting panel
- Equipped with waterproof rubber gasket as standard, IP65 protection rating when mated with waterproof gasket which can meet long-lasting and stable signal transmission in harsh outdoor conditions
- Reliable internal sealing system which prevents water vapor from entering the device
- Transmission class CAT5E and complies according to TIA/EIA568B and ISO/IEC1180 standards

Product Models	Description	
SE8C05-01-BC	05-Series combined network socket + 180° feedthrough	Black chrome plated housing
SE8C05-27-BC	05-Series combined network socket + 180° 1.5 8P header	Black chrome plated housing



● SE8FF-X



● SE8FF-X-C6A



● SE8FF-02



● SE8FF-02 - C6A



● SE8FF-05



● SE8FF-05-C6A

Features

- Exquisite design appearance, sturdy and durable, compact, light weight and space-saving
- Fast and stable signal transmission

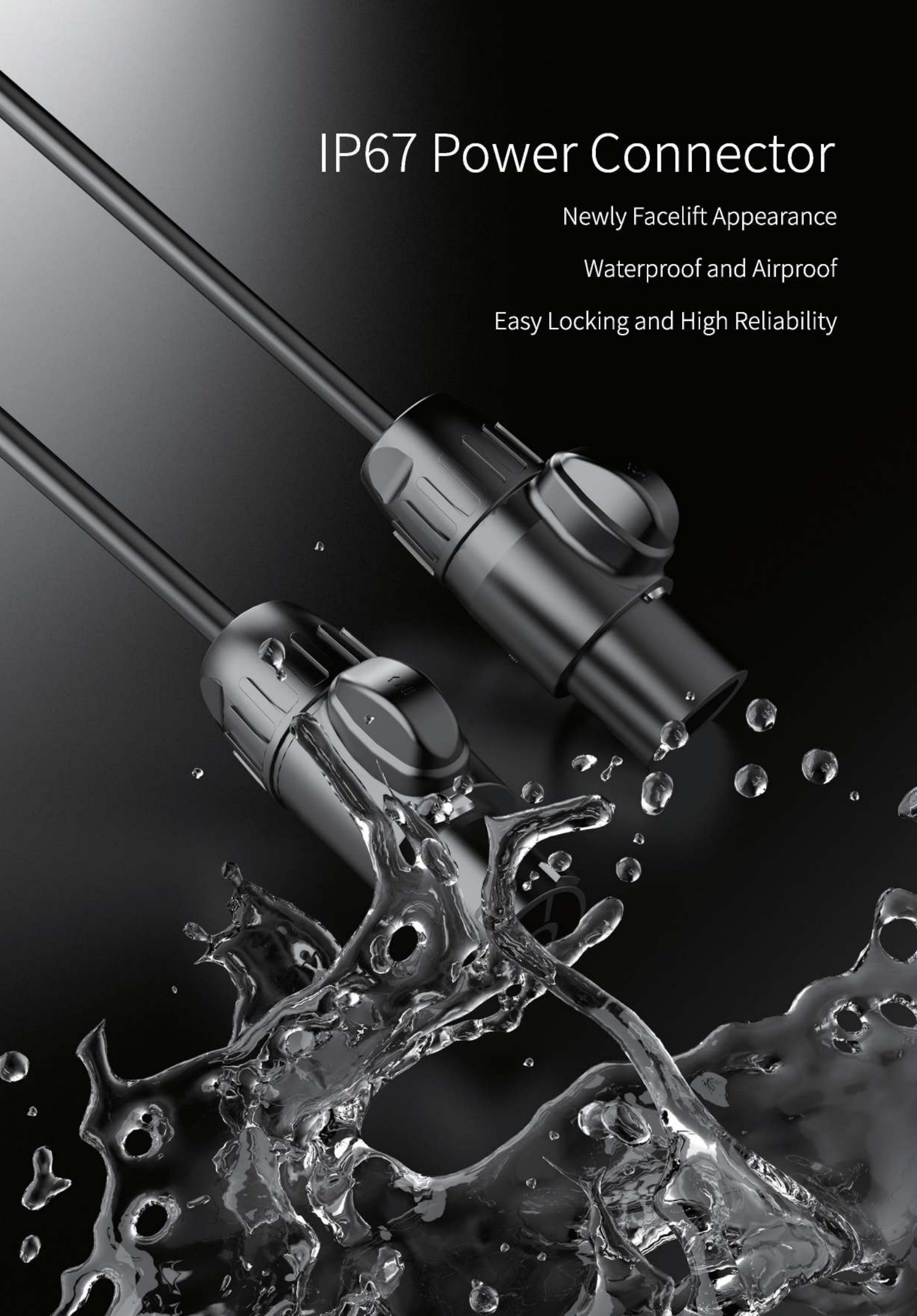
Product Models		Description			
SE8FF-X	RJ45 Adapter	Match both ends with SE8MC-1-*	Indoor use	CAT5E	
SE8FF-X-C6A	RJ45 Adapter	Match both ends with SE8MC-1-*	Indoor use	CAT6A	PoE++
SE8FF-02	RJ45 Adapter	Match both ends with SE8MC-02-*	Outdoor use, IP65	CAT5E	
SE8FF-02-C6A	RJ45 Adapter	Match both ends with SE8MC-02-*	Outdoor use, IP65	CAT6A	PoE++
SE8FF-05	RJ45 Adapter	Match both ends with SE8MC-05-*	Outdoor use, IP65	CAT5E	
SE8FF-05-C6A	RJ45 Adapter	Match both ends with SE8MC-05-*	Outdoor use, IP65	CAT6A	PoE++

IP67 Power Connector

Newly Facelift Appearance

Waterproof and Airproof

Easy Locking and High Reliability





● SAC3FX-67



● SAC3MX-67

Features

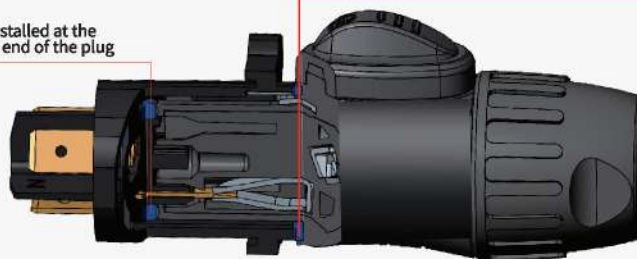
- Lockable three-core power device (AC) connector
- Newly designed push-down lock key structure with independent sealing mechanism for quick and easy locking system
- Suitable for any harsh and demanding environment with IP67 protection rating

Product Models	Description		
SAC3FX-67	Outdoor lockable 3-core (AC) female power connector	250V/16A	IP67
SAC3MX-67	Outdoor lockable 3-core (AC) male power connector	250V/16A	IP67

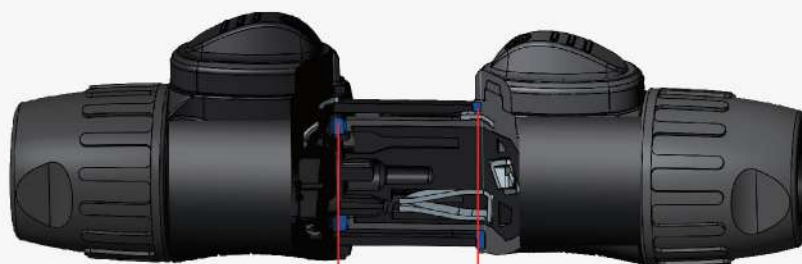
Waterproof Section View

Waterproof 1, a sealing ring is installed at the bottom of the socket to seal the end of the plug

Waterproof 2, the socket end is sealed with a rubber ring outside of the plug (It achieves double protection effect of internal and external waterproofing.)



Mating Effect



Waterproof Structure 1

Waterproof Structure 2 (The blue part is the sealing ring)



● SAC3FPX-67



● SAC3FPX20-67



● SAC3MPX-67

Features

- Lockable three-core power device (AC) connector
- Quick and easy locking system, firm lock and does not fall off
- Suitable for any harsh and demanding environment with IP67 protection rating



● CNAC-FPX-67



● CNAC-MPX-67

Product Models	Description
SAC3FPX-67	3-core IP67 power female socket Rated current UL300V/20A,TUV IEC60320-1) 250V/16A Mounting dimension: 24.4x24.4mm
SAC3FPX20-67	3-core IP67 power female socket Rated current UL300V/20A,TUV (IEC60320-1) 250V/16A D-type mounting dimension
SAC3MPX-67	3-core IP67 power male socket Rated current UL300V/20A,TUV (IEC60320-1) 250V/16A D-type mounting dimension

Plug-in Effect





• SAC3PX - 67



• CNAC-PX-67

Features

- Combined design structure increases the aesthetics while miniaturizing the mounting panel.
- Durable, rugged and sealed power socket for electrical connections in outdoor conditions with IP67 protection rating
- Does not equipped with waterproof gasket and need to be purchased separately. Model Number:CNAC-PX-67

Product Model		Description	
SAC3PX-67	Combined waterproof power socket	Rated current UL300V/20A,TUV (IEC60320-1) 250V/16A	IP67



● SAC3FCA



● SAC3FCB



Anti-screw function design



Push forward using a small tool the button on the bottom rear of the latch key



● SAC3MPA



● SAC3MPA (Back)



● SAC3MPA-M (Back)



● SAC3MPB



● SAC3MPB (Back)



● SAC3MPB-M (Back)

Features

- Lockable three-core power device (AC) connector
- Quick and easy locking system, firm lock and does not easily fall off
- Flat tab terminals and screw lock terminals; two wiring methods to meet the needs of different users
- Certified UL, PSE, CB, TUV RH (IEC60320-1)
- Anti-screw function which prevent the tail sleeve from rotating and falling off during long-term use

Product Models		Description		
SAC3FCA	Indoor lockable 3-core power-in plug	Rated current UL 250V/20A	TUV RH (IEC60320-1) 250V/16A	Screw lock terminal
SAC3FCB	Indoor lockable 3-core power-out plug	Rated current UL 250V/20A	TUV RH (IEC60320-1) 250V/16A	Screw lock terminal
SAC3MPA	Indoor lockable 3-core power-in socket	Rated current UL 250V/20A	TUV RH (IEC60320-1) 250V/16A	Flat tab terminal
SAC3MPB	Indoor lockable 3-core power-out socket	Rated current UL 250V/20A	TUV RH (IEC60320-1) 250V/16A	Flat tab terminal
SAC3MPA-M	Indoor lockable 3-core power-in socket	Rated current UL 250V/20A	TUV RH (IEC60320-1) 250V/16A	Screw lock terminal
SAC3MPB-M	Indoor lockable 3-core power-out socket	Rated current UL 250V/20A	TUV RH (IEC60320-1) 250V/16A	Screw lock terminal



● SAC3MPA02

Features

- Lockable three-core power device (AC) connector
- Combined design structure increases the aesthetics while miniaturizing the mounting panel
- Quick and easy twist-lock system
- Certified UL, TUV RH, CB, CE and rated 250V/20A current capacity



● SAC3MM



Features

- Enables high power conversion from input to output
- Firm connection, simple operation for power cable extensions
- Rugged and reliable, 250V/20A current capacity

Product Models		Description		
SAC3MPA02	Indoor combined power socket	UL 250V/20A	TUV RH (IEC60320-1) 250V/16A	Flat tab terminals
SAC3MM	Power connector coupler for linking cables	250V/20A		



• SAC3MPA-N-W



• SAC3MPA-N-W (Back)



• SAC3MPA-W-M (Back)



• CNAC-MPAB



• SAC3MPB-N-W



• SAC3MPB-N-W (Back)



• SAC3MPB-W-M (Back)

Features

- Lockable three-core power device (AC) connector
- Quick and easy locking system, firm lock and does not easily fall off
- Upgraded protection from the indoor power series
- Mated with CNAC-MPAB rubber gasket can achieve IP65 protection rating
- Certified UL, PSE, CB, TUV RH (IEC60320-1)
- Anti-screw function which prevent the tail sleeve from rotating and falling off during long-term use

Product Models		Description		
SAC3FCA-N-W	Outdoor lockable 3-core power-in plug	Rated current UL 250V/20A	TUV RH (IEC60320-1) 250V/16A	
SAC3FCB-N-W	Outdoor lockable 3-core power-out plug	Rated current UL 250V/20A	TUV RH (IEC60320-1) 250V/16A	
SAC3MPA-N-W	Outdoor lockable 3-core power-in socket	Rated current UL 250V/20A	TUV RH (IEC60320-1) 250V/16A	Flat tab terminal
SAC3MPB-N-W	Outdoor lockable 3-core power-out socket	Rated current UL 250V/20A	TUV RH (IEC60320-1) 250V/16A	Flat tab terminal
SAC3MPA-W-M	Outdoor lockable 3-core power-in socket	Rated current UL 250V/20A	TUV RH (IEC60320-1) 250V/16A	Screw lock terminal
SAC3MPB-W-M	Outdoor lockable 3-core power-out socket	Rated current UL 250V/20A	TUV RH (IEC60320-1) 250V/16A	Screw lock terminal



● SAC3MCA



● SAC3MCB



● SAC3MCA-N-W



● SAC3MCB-N-W

Features

- Easy to use power plug for air-docking or linking cable, more compact and nice aesthetic appearance
- Lockable three-core power cable connector
- Quick and easy locking system
- Rugged and reliable, high current capacity 250V/20A

Product Models	Description	
SAC3MCA	Indoor 3-core power cable connector for linking cable	Match with SAC3FCA
SAC3MCB	Indoor 3-core power cable connector for linking cable	Match with SAC3FCB
SAC3MCA-N-W	Outdoor 3-core power cable connector for linking cable	Match with SAC3FCA-N-W
SAC3MCB-N-W	Outdoor 3-core power cable connector for linking cable	Match with SAC3FCB-N-W



● SAC3FX



● SAC3MX



Anti-screw function design



Push forward using a small tool the button on the bottom rear of the latch key



● SAC3FPX



● CNAC-FPX



● SAC3MPX



● CNAC-MPX

Features

- Lockable 3-core power device (AC) connector
- IP65 protection rating
- Quick and easy locking system with a newly designed push-pull latch key structure with independent sealing mechanism
- Certified UL, PSE, CB, TUV RH (IEC60320-1)
- Anti-screw function which prevent the tail sleeve from rotating and falling off during long-term use

Product Models		Description	
SAC3FX	Outdoor lockable 3-core female power plug	Rated current UL 250V/20A	TUV RH (IEC60320-1) 250V/16A
SAC3MX	Outdoor lockable 3-core male power plug	Rated current UL 250V/20A	TUV RH (IEC60320-1) 250V/16A
SAC3FPX	Outdoor lockable 3-core female power socket	Rated current UL 250V/20A	TUV RH (IEC60320-1) 250V/16A
SAC3MPX	Outdoor lockable 3-core male power socket	Rated current UL 250V/20A	TUV RH (IEC60320-1) 250V/16A



● SAC3FPX20



● CNAC-FPX20

Features

- D-size power female socket which realize the same opening size of input and output panel and in line with the development trend of miniaturization and lightweight equipment
- Durable, rugged and sealed power connector for outdoor electrical connections with IP65 protection rating
- Sealed inside which prevent water vapor from entering the device
- Does not equipped with waterproof gasket and need to be purchased separately. Model Number: CNAC-FPX20
- Certified UL, CQC and TUV RH (IEC60320-1)

Product Model	Description			
SAC3FPX20	Conforms to D-size mounting dimensions with an attractive, convenient and compact shape			
	Rated current UL 250V/20A	TUV RH (IEC60320-1) 250V/16A	CQC 250V/20A	Gold plated contacts





• SAC3PX

Plug-in Effect View



• CNAC-PX

Features

- Lockable three-core power device (AC) connector
- Quick and easy twist lock system
- One-piece design structure increases the aesthetics while miniaturizing the mounting panel
- Certified UL and TUV RH (IEC60320-1)

Product Model		Description	
SAC3PX	Combined power socket	Rated current UL 250V/20A	TUV RH (IEC60320-1) 250V/16A



● CNAC-FPX-LY-AP



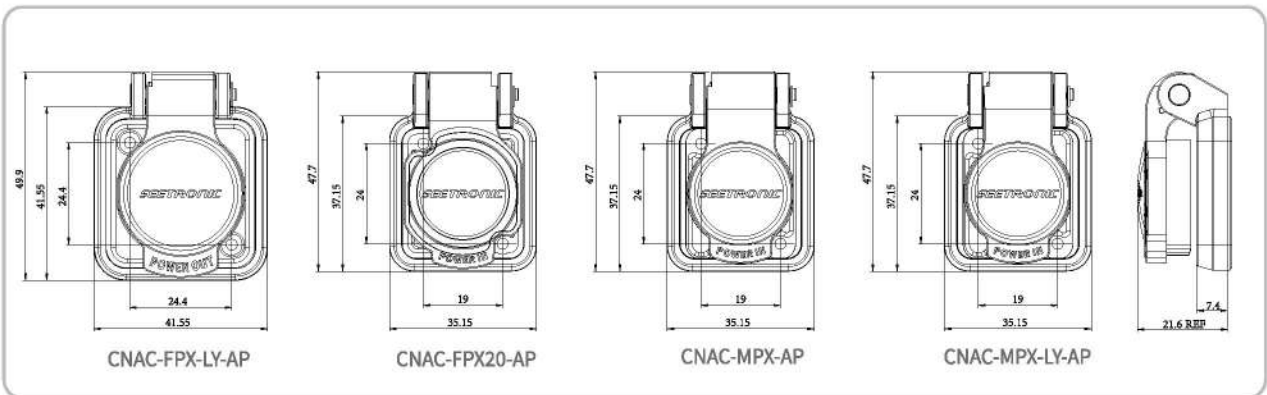
● CNAC-FPX20-AP



● CNAC-MPX-AP



● CNAC-MPX-LY-AP



Mounting Dimensions

Features

- Auto-close protective sealing cover for power sockets with IP65 protection rating
- When unplugging, the cover automatically returns to its original position making the operation simpler
- See below for mating socket options

Product Models	Description	Power Socket Type Match
CNAC-FPX-LY-AP	Auto-close sealing cover	SAC3FPX-LY
CNAC-FPX20-AP	Auto-close sealing cover	SACFPX20
CNAC-MPX-AP	Auto-close sealing cover	SACMPX
CNAC-MPX-LY-AP	Auto-close sealing cover	SACMPX-LY



● SAC3FG



● SAC3MG



● SAC3FGDJ



● SAC3MGDJ

Features

- Multi-style core design to meet diverse industrial needs
- Gold plated contacts with high corrosion resistance and conductivity, IP65 protection rating
- PA66 housing provides stable electrical performance, high voltage and high temperature resistance, anti-explosion and corrosion resistance
- Straight plug-in design and no need to twist when plugging and unplugging
- Large metal surface contact area for safer circuit connection

Product Models			Description		
SAC3FG	Outdoor 3-core power female plug	PA66 housing	Gold plated contacts	Rated current 20A	Match with SAC3MPG
SAC3MG	Outdoor 3-core power male plug	PA66 housing	Gold plated contacts	Rated current 20A	Match with SAC3FPG
SAC3FGDJ	Outdoor 3-core power female plug	PA66 housing	Gold plated contacts	Rated current 20A	Match with SAC3MG
SAC3MGDJ	Outdoor 3-core power male plug	PA66 housing	Gold plated contacts	Rated current 20A	Match with SAC3FG

Mating Effect View



SAC3FG | SAC3MGDJ



SAC3MG | SAC3FGDJ



Features

- Various types of 3-core design to meet diversified industrial needs
- Zinc alloy housing and internal plastic material components
- Gold-plated contacts, high corrosion resistance and conductivity, effective response to temperature changes caused by current
- Stable electrical performance, high voltage, high temperature, anti-explosion and corrosion resistance
- Rated current at 20A, IP65 protection rating
- Sealed internal structure, no water leakage inside

Product Models			Description		
SAC3FPG	Outdoor 3-core power socket	Zinc-alloy housing	Gold plated contacts	2-screw fixed holes	Panel size: 26x31mm
SAC3MPG	Outdoor 3-core power socket	Zinc-alloy housing	Gold plated contacts	2-screw fixed holes	Panel size: 26x31mm
SAC3FPG-60	Outdoor 3-core power socket	Zinc-alloy housing	Gold plated contacts	4-screw fixed holes	Panel size: 29x31mm
SAC3MPG-60	Outdoor 3-core power socket	Zinc-alloy housing	Gold plated contacts	4-screw holes	Panel size: 29x31mm
SAC3FPG-61	Outdoor 3-core power socket	Zinc-alloy housing	Gold plated contacts	2-screw holes	Panel size: 29x31mm
SAC3MPG-61	Outdoor 3-core power socket	Zinc-alloy housing	Gold plated contacts	2-screw holes	Panel size: 29x31mm
SAC3FPG-N	Outdoor 3-core power socket	Zinc-alloy housing	Gold plated contacts	2-screw holes	Panel size: 26x31mm
SAC3MPG-N	Outdoor 3-core power socket	Zinc-alloy housing	Gold plated contacts	2-screw holes	Panel size: 26x31mm

Plug-in Effect View



IP67 Waterproof XLR

Polyurethane Sealing

Robust Zinc Alloy Housing

Excellent Waterproof Connector

Long Service Life and High Reliability



Features

- The industry's first waterproof XLR plug with IP67 protection rating
- Chrome or black plated housing and gold plated contacts
- Solves the DMX lighting industry's need for fast connection requirements of signal input and output in outdoor conditions
- Designed to reduce vibration and improve transmission stability and protection



Mechanical parameters

Cable O.D.	5-8mm
Insertion force	≤ 20N
Withdrawal force	≤ 20N
Service life	> 1000 mating cycles
Wire size	Max. 2.5 mm ² / Max. 14 AWG
Locking device	Latch lock

Product Models	Description			
SCWF3-67	3-pole waterproof XLR female plug	Pearl chrome housing	Gold plated contacts	IP67
SCWF3-B-67	3-pole waterproof XLR female plug	Black plated housing	Gold plated contacts	IP67
SCWM3-67	3-pole waterproof XLR male plug	Pearl chrome housing	Gold plated contacts	IP67
SCWM3-B-67	3-pole waterproof XLR male plug	Black plated housing	Gold plated contacts	IP67
SCWF4-67	4-pole waterproof XLR female plug	Pearl chrome housing	Gold plated contacts	IP67
SCWF4-B-67	4-pole waterproof XLR female plug	Black plated housing	Gold plated contacts	IP67
SCWM4-67	4-pole waterproof XLR male plug	Pearl chrome housing	Gold plated contacts	IP67
SCWM4-B-67	4-pole waterproof XLR male plug	Black plated housing	Gold plated contacts	IP67
SCWF5-67	5-pole waterproof XLR female plug	Pearl chrome housing	Gold plated contacts	IP67
SCWF5-B-67	5-pole waterproof XLR female plug	Black plated housing	Gold plated contacts	IP67
SCWM5-67	5-pole waterproof XLR male plug	Pearl chrome housing	Gold plated contacts	IP67
SCWM5-B-67	5-pole waterproof XLR male plug	Black plated housing	Gold plated contacts	IP67

Features

- Industry's first IP67 waterproof XLR socket
- Sealed internally to prevent water vapor from entering inside the equipment
- Industry standard D-shape mounting dimensions for installation compatibility
- Install on the front of the panel
- Solves the DMX lighting industry's need for fast connection requirements of signal input and output in outdoor conditions



● J3F2C-W-B-67



● J5F2C-W-67



● K3F2C-W-67



● K5F2C-W-B-67



Product Models		Description	
J3F2C-W-67	3-core XLR male socket	Pearl chrome housing	Gold plated contacts
J3F2C-W-B-67	3-core XLR male socket	Black plated housing	Gold plated contacts
K3F2C-W-67	3-core XLR female socket	Pearl chrome housing	Gold plated contacts
K3F2C-W-B-67	3-core XLR female socket	Black plated housing	Gold plated contacts
J4F2C-W-67	4-core XLR male socket	Pearl chrome housing	Gold plated contacts
J4F2C-W-B-67	4-core XLR male socket	Black plated housing	Gold plated contacts
K4F2C-W-67	4-core XLR female socket	Pearl chrome housing	Gold plated contacts
K4F2C-W-B-67	4-core XLR female socket	Black plated housing	Gold plated contacts
J5F2C-W-67	5-core XLR male socket	Pearl chrome housing	Gold plated contacts
J5F2C-W-B-67	5-core XLR male socket	Black plated housing	Gold plated contacts
K5F2C-W-67	5-core XLR female socket	Pearl chrome housing	Gold plated contacts
K5F2C-W-B-67	5-core XLR female socket	Black plated housing	Gold plated contacts



● CNAC-J-67



● CNAC-K-67



Installation View

Stainless Steel XLR

No fear of falling from a height

No fear of heavy crushing

Robust and not easily deform

Perfect for mobile use





● SCHF3



● SCHM3



● SCHF5-B



● SCHM5-B

Product Models

Description

Product Models	Description	Material	Contacts	Cable OD
SCHF3	3-pole XLR female plug	Stainless steel housing	Gold contacts	Cable OD 3.5-8.5mm
SCHF3-B	3-pole XLR female plug	Black plated housing	Gold contacts	Cable OD 3.5-8.5mm
SCHM3	3-pole XLR male plug	Stainless steel housing	Gold contacts	Cable OD 3.5-8.5mm
SCHM3-B	3-pole XLR male plug	Black plated housing	Gold contacts	Cable OD 3.5-8.5mm
SCHF4	4-pole XLR female plug	Stainless steel housing	Gold contacts	Cable OD 3.5-8.5mm
SCHF4-B	4-pole XLR female plug	Black plated housing	Gold contacts	Cable OD 3.5-8.5mm
SCHM4	4-pole XLR male plug	Stainless steel housing	Gold contacts	Cable OD 3.5-8.5mm
SCHM4-B	4-pole XLR male plug	Black plated housing	Gold contacts	Cable OD 3.5-8.5mm
SCHF5	5-pole XLR female plug	Stainless steel housing	Gold contacts	Cable OD 3.5-8.5mm
SCHF5-B	5-pole XLR female plug	Black plated housing	Gold contacts	Cable OD 3.5-8.5mm
SCHM5	5-pole XLR male plug	Stainless steel housing	Gold contacts	Cable OD 3.5-8.5mm
SCHM5-B	5-pole XLR male plug	Black plated housing	Gold contacts	Cable OD 3.5-8.5mm
SCHF3-LOD	3-pole XLR female plug	Stainless steel housing	Gold contacts	Cable OD 9-10mm
SCHM3-LOD	3-pole XLR male plug	Black plated housing	Gold contacts	Cable OD 9-10mm

Mechanical parameters

Sign Cable O.D.	5-8mm
Insertion force	≤ 20N
Withdrawal force	≤ 20N
Service life	> 1000 mating cycles
Wire size	Max. 2.5 mm ²
Wire size	Max. 14 AWG
Locking device	Latch lock

Features

- Stainless steel housing, durable, long service life and high reliability
- New appearance design for smoother operation
- Colored ring design for coding and identification
- Resistant to drop and pressure and still can be used stably under harsh condition



Changeable Ring Design



New Exterior Look



* RD-Red GY-Gray BN-Brown OG-Orange YE-Yellow BU-Blue GN-Green PU-Purple WH-White BK-Black



● SCMF3



● SCMM3



● SCMF4-BG



● SCMM4-BG



● SCMF5-G



● SCMM5-G

Product Models		Description	
SCMF3	3-pole XLR female plug	Pearl chrome housing	Silver contacts
SCMF3-B	3-pole XLR female plug	Black plated housing	Silver contacts
SCMF3-G	3-pole XLR female plug	Pearl chrome housing	Gold contacts
SCMF3-BG	3-pole XLR female plug	Black plated housing	Gold contacts
SCMM3	3-pole XLR male plug	Pearl chrome housing	ilver contacts
SCMM3-B	3-pole XLR male plug	Black plated housing	Silver contacts
SCMM3-G	3-pole XLR male plug	Pearl chrome housing	Gold contacts
SCMM3-BG	3-pole XLR male plug	Black plated housing	Gold contacts
SCMF4	4-pole XLR female plug	Pearl chrome housing	ilver contacts
SCMF4-B	4-pole XLR female plug	Black plated housing	Silver contacts
SCMF4-G	4-pole XLR female plug	Pearl chrome housing	Gold contacts
SCMF4-BG	4-pole XLR female plug	Black plated housing	Gold contacts
SCMM4	4-pole XLR male plug	Pearl chrome housing	ilver contacts
SCMM4-B	4-pole XLR male plug	Black plated housing	Silver contacts
SCMM4-G	4-pole XLR male plug	Pearl chrome housing	Gold contacts
SCMM4-BG	4-pole XLR male plug	Black plated housing	Gold contacts
SCMF5	5-pole XLR female plug	Pearl chrome housing	ilver contacts
SCMF5-B	5-pole XLR female plug	Black plated housing	Silver contacts
SCMF5-G	5-pole XLR female plug	Pearl chrome housing	Gold contacts
SCMF5-BG	5-pole XLR female plug	Black plated housing	Gold contacts
SCMM5	5-pole XLR male plug	Pearl chrome housing	ilver contacts
SCMM5-B	5-pole XLR male plug	Black plated housing	Silver contacts
SCMM5-G	5-pole XLR male plug	Pearl chrome housing	Gold contacts
SCMM5-BG	5-pole XLR male plug	Black plated housing	Gold contacts

Features

- Metal housing adopts internal thread design for gravity compression consideration and internal components protection
- Two cable clamps are provided for different cable diameter: black clamp 3.5-6mm; white clamp 6-8mm
- Compact with no ring design
- Colored boots available for coding and identification



* RD-Red BK-Black BN-Brown OG-Orange YE-Yellow BU-Blue GN-Green PU-Purple WH-White GY-Gray



● MJ3F2C



● MJ5F2C-BG



● MK4F2C



● MK5F2C-BG

Features

- Uniform metal flange and standard D-type mounting dimensions
- Install on the front of the panel

Product Models		Description	
MJ3F2C	3-pin XLR male socket	Pearl chrome housing	Silver contacts
MJ3F2C-B	3-pin XLR male socket	Black plated housing	Silver contacts
MJ3F2C-G	3-pin XLR male socket	Pearl chrome housing	Gold contacts
MJ3F2C-BG	3-pin XLR male socket	Black plated housing	Gold contacts
MK3F2C	3-pin XLR female socket	Pearl chrome housing	Silver contacts
MK3F2C-B	3-pin XLR female socket	Black plated housing	Silver contacts
MK3F2C-G	3-pin XLR female socket	Pearl chrome housing	Gold contacts
MK3F2C-BG	3-pin XLR female socket	Black plated housing	Gold contacts
MJ4F2C	3-pin XLR male socket	Pearl chrome housing	Silver contacts
MJ4F2C-B	4-pin XLR male socket	Black plated housing	Silver contacts
MJ4F2C-G	4-pin XLR male socket	Pearl chrome housing	Gold contacts
MJ4F2C-BG	4-pin XLR male socket	Black plated housing	Gold contacts
MK4F2C	4-pin XLR female socket	Pearl chrome housing	Silver contacts
MK4F2C-B	4-pin XLR female socket	Black plated housing	Silver contacts
MK4F2C-G	4-pin XLR female socket	Pearl chrome housing	Gold contacts
MK4F2C-BG	4-pin XLR female socket	Black plated housing	Gold contacts
MJ5F2C	5-pin XLR male socket	Pearl chrome housing	Silver contacts
MJ5F2C-B	5-pin XLR male socket	Black plated housing	Silver contacts
MJ5F2C-G	5-pin XLR male socket	Pearl chrome housing	Gold contacts
MJ5F2C-BG	5-pin XLR male socket	Black plated housing	Gold contacts
MK5F2C	5-pin XLR female socket	Pearl chrome housing	Silver contacts
MK5F2C-B	5-pin XLR female socket	Black plated housing	Silver contacts
MK5F2C-G	5-pin XLR female socket	Pearl chrome housing	Gold contacts
MK5F2C-BG	5-pin XLR female socket	Black plated housing	Gold contacts



Silver Contacts



Gold Contacts



Pearl Chrome Housing



Black Housing



● SCADF3-V



● SCADM3-V



● SCADF5-V



● SCADM5-V



● SCADF3-H



● SCADM3-H



● SCADF5-H



● SCADM5-H



Horizontal Mounting



Vertical Mounting

Features

- Small size and high packing density XLR socket (23mm between center)
- Mountable at the rear of the panel
- Metal flange

Product Models		Description		
SCADF3-V	3-pin XLR female socket	Grounding: separate ground contact to mating connector shell and front panel	Vertical PCB mount	Gold contacts
SCADF3-V1	3-pin XLR female socket	Grounding: mating connector shell to pins and front panel	Vertical PCB mount	Gold contacts
SCADM3-V	3-pin XLR male socket	Grounding: separate ground contact to mating connector shell and front panel	Vertical PCB mount	Gold contacts
SCADM3-V1	3-pin XLR male socket	Grounding: mating connector shell to pins and front panel	Vertical PCB mount	Gold contacts
SCADF3-H	3-pin XLR female socket	Grounding: separate ground contact to mating connector shell and front panel	Horizontal PCB mount	Gold contacts
SCADF3-H	3-pin XLR female socket	Grounding: separate ground contact to mating connector shell and front panel	Horizontal PCB mount	Gold contacts
SCADF5-V	5-pin XLR female socket	Grounding: separate ground contact to mating connector shell and front panel	Vertical PCB mount	Gold contacts
SCADM5-V	5-pin XLR male socket	Grounding: separate ground contact to mating connector shell and front panel	Vertical PCB mount	Gold contacts
SCADF5-H	5-pin XLR female socket	Grounding: separate ground contact to mating connector shell and front panel	Horizontal PCB mount	Gold contacts
SCADM5-H	5-pin XLR male socket	Grounding: separate ground contact to mating connector shell and front panel	Horizontal PCB mount	Gold contacts



● SCBDF3-V



● SCBDM3-V



● SCBDF5-V



● SCBDM5-V



● SCBDF3-H



● SCBDM3-H



● SCBDF5-H



● SCBDM5-H



Horizontal Mounting



Vertical Mounting



Features

- Small size and high packing density XLR socket (23mm between center)
- Mountable at the rear of the panel
- Plastic flange

Product Models		Description		
SCBDF3-V	3-pin XLR female socket	Grounding: Separate ground contact to mating connector shell and front panel	Vertical PCB mount	Gold contacts
SCBDF3-V1	3-pin XLR female socket	Grounding: Mating connector shell to pins and front panel	Vertical PCB mount	Gold contacts
SCBDM3-V	3-pin XLR male socket	Grounding: Separate ground contact to mating connector shell and front panel	Vertical PCB mount	Gold contacts
SCBDM3-V1	3-pin XLR male socket	Grounding: Mating connector shell to pins and front panel	Vertical PCB mount	Gold contacts
SCBDF3-H	3-pin XLR female socket	Grounding: Separate ground contact to mating connector shell and front panel	Horizontal PCB mount	Gold contacts
SCBDM3-H	3-pin XLR male socket	Grounding: Separate ground contact to mating connector shell and front panel	Horizontal PCB mount	Gold contacts
SCBDF5-V	5-pin XLR female socket	Grounding: Separate ground contact to mating connector shell and front panel	Vertical PCB mount	Gold contacts
SCBDM5-V	5-pin XLR male socket	Grounding: Separate ground contact to mating connector shell and front panel	Vertical PCB mount	Gold contacts
SCBDF5-H	5-pin XLR female socket	Grounding: Separate ground contact to mating connector shell and front panel	Horizontal PCB mount	Gold contacts
SCBDM5-H	5-pin XLR male socket	Grounding: Separate ground contact to mating connector shell and front panel	Horizontal PCB mount	Gold contacts



● SCWF3



● SCWM3



● SCWF4-B



● SCWM4-B



● SCWF5



● SCWM5

Product Models		Description	
SCWF3	3-pole waterproof XLR female plug	Pearl chrome housing	Gold contacts
SCWF3-B	3-pole waterproof XLR female plug	Black plated housing	Gold contacts
SCWM3	3-pole waterproof XLR male plug	Pearl chrome housing	Gold contacts
SCWM3-B	3-pole waterproof XLR male plug	Black plated housing	Gold contacts
SCWF4	4-pole waterproof XLR female plug	Pearl chrome housing	Gold contacts
SCWF4-B	4-pole waterproof XLR female plug	Black plated housing	Gold contacts
SCWM4	4-pole waterproof XLR male plug	Pearl chrome housing	Gold contacts
SCWM4-B	4-pole waterproof XLR male plug	Black plated housing	Gold contacts
SCWF5	5-pole waterproof XLR female plug	Pearl chrome housing	Gold contacts
SCWF5-B	5-pole waterproof XLR female plug	Black plated housing	Gold contacts
SCWM5	5-pole waterproof XLR male plug	Pearl chrome housing	Gold contacts
SCWM5-B	5-pole waterproof XLR male plug	Black plated housing	Gold contacts



Product Application 1



Product Application 2

Features

- Waterproof XLR plug series for outdoor use with IP65 protection rating
- Rugged zinc alloy housing for long service life and high reliability
- Metal housing adopts internal thread design for gravity compression consideration and internal components protection
- Colored boots available for coding and identification
- Cable diameter range: 5-8 mm



● J3F2C-W

● K3F2C-W-B

Features

- Industry's first waterproof XLR sockets with IP65 protection rating
- Air-proof treatment at the rear to prevent water vapor from entering the equipment
- Uniform metal flange and standard D-shape installation dimensions
- Install on the front of the panel
- Solves to the fullest the DMX lighting industry's need for fast connection requirements of signal input and output in outdoor conditions

Product Models		Description	
J3F2C-W	3-pole waterproof XLR male socket	Pearl chrome housing	Gold contacts
J3F2C-W-B	3-pole waterproof XLR male socket	Black plated housing	Gold contacts
K3F2C-W	3-pole waterproof XLR female socket	Pearl chrome housing	Gold contacts
K3F2C-W-B	3-pole waterproof XLR female socket	Black plated housing	Gold contacts
J4F2C-W	4-pole waterproof XLR male socket	Pearl chrome housing	Gold contacts
J4F2C-W-B	4-pole waterproof XLR male socket	Black plated housing	Gold contacts
K4F2C-W	4-pole waterproof XLR female socket	Pearl chrome housing	Gold contacts
K4F2C-W-B	4-pole waterproof XLR female socket	Black plated housing	Gold contacts
J5F2C-W	5-pole waterproof XLR male socket	Pearl chrome housing	Gold contacts
J5F2C-W-B	5-pole waterproof XLR male socket	Black plated housing	Gold contacts
K5F2C-W	5-pole waterproof XLR female socket	Pearl chrome housing	Gold contacts
K5F2C-W-B	5-pole waterproof XLR female socket	Black plated housing	Gold contacts

Features

- Industry's first waterproof XLR input-output combined socket with IP65 protection rating
- Air-proof treatment at the rear to prevent water vapor from entering the equipment
- Install on the front of the panel
- Mated with rubber cover provides protection against water and dust
- Solves to the fullest the DMX lighting industry's need for fast connection requirements of signal input and output in outdoor conditions



● C3F2C-W

Product Models

Description

C3F2C-W	3-pole combined IP65 XLR socket	Pearl chrome housing	Gold contacts
C3F2C-W-B	3-pole combined IP65 XLR socket	Black plated housing	Gold contacts
C4F2C-W	4-pole combined IP65 XLR socket	Pearl chrome housing	Gold contacts
C4F2C-W-B	4-pole combined IP65 XLR socket	Black plated housing	Gold contacts
C5F2C-W	5-pole combined IP65 XLR socket	Pearl chrome housing	Gold contacts
C5F2C-W-B	5-pole combined IP65 XLR socket	Black plated housing	Gold contacts



● C5F2C-W-B



SEETRONIC

Optical Fiber Product Series

New Product





● SO2M



Features

- Stainless steel housing, sturdy and reliable, 2-channel optical fiber plug
- Reliable push-pull key locking mechanism
- Suitable for electrical connections in outdoor conditions with IP65 protection rating
- Match with SO2DF or standard LC fiber optic connectors, 4-channel signal optional
- We provide only assembled optical fiber cable that ensures high quality transmission performance. Plugs are not sold separately. Assembled optical fiber cables are available in single-mode or multi-mode and length can be customized according to customer requirements.



● SO2DFF-S



● SO2DFF-M



● CNAC-SO2DF-METAL

Features

- Rugged and reliable dual-channel fiber optic coupler
- Compatible with standard single / multi-mode LC connectors based on dual-channel LC
- IP65 protection rating when mated with SO2M or SO2MH-LOD plugs
- Feed through design with automatic self-sealing cover

Product Models	Description	
SO2DFF-S	Dual-channel fiber optic coupler	Based on LC-Duplex connector, compatible with standard single-mode LC
SO2DFF-M	Dual-channel fiber optic coupler	Based on LC-Duplex connector, compatible with standard multi-mode LC
CNAC-SO2DF-METAL	Stainless steel, sturdy and durable	Protective cover for SO2DF

Stainless Steel Optical Fiber Connector

Excellent Dust Protection Cover

Strong and Durable

Reliable Cable Retention





● SO2MH (New Product)

Features

- Exquisite exterior appearance, durable and sturdy stainless steel housing
- Two-door automatic padded cover provides protection against dust and dirt
- Easy to use and reliable push-pull locking mechanism
- 2-channel matching LC interface
- We provide only assembled optical fiber cable that ensures high quality transmission performance. Plugs are not sold separately. Assembled optical fiber cables are available in single-mode or multi-mode and length can be customized according to customer requirements.



● SO4MH (New Product)

Features

- Exquisite exterior appearance, durable and sturdy stainless steel housing
- Two-door automatic padded cover provides protection against dust and dirt
- Easy to use and reliable push-pull locking mechanism
- 4-channel matching LC interface
- We provide only assembled optical fiber cable that ensures high quality transmission performance. Plugs are not sold separately. Assembled optical fiber cables are available in single-mode or multi-mode and length can be customized according to customer requirements.



● SO2DF

Features

- 2-channel feedthrough fiber optic socket with self-sealing cover
- Match with SO2MH or standard LC fiber optic connectors with optional 4-pole gold pins
- Uniform metal flange with standard D-shape mounting dimensions
- IP65 protection rating when mated with optical fiber plugs



● SO4DF (New Product)

Features

- 4-channel fiber optic socket with two-component rubber, sealed dustproof design
- Match with SO4MH or standard LC fiber optic connectors
- Uniform metal flange with standard D-shape mounting dimensions
- IP65 protection rating when mated with optical fiber plugs



(Optional waterproof gasket for socket: blue for single-mode, black for multi-mode)

Product Models	Description	
SO2MH	2-channel LC fiber optic stainless steel plug	Cable OD 5mm
SO2MH-LOD	2-channel LC fiber optic stainless steel plug	Cable OD 8mm
SO2MH-4PIN-LOD	2-channel LC + 4P cable pinhole fiber optic stainless steel plug	Cable OD 8mm
SO4MH	4-channel LC fiber optic stainless steel plug	Cable OD 8mm
SO2DF	2-channel LC fiber optic socket	
SO4DF	4-channel LC fiber optic socket	



● SO12MH

Features

- Exquisite exterior appearance, durable and sturdy stainless steel housing
- Two-door automatic padded cover provides protection against dust and dirt
- Easy to use and reliable push-pull locking mechanism
- We provide only assembled optical fiber cable that ensures high quality transmission performance
- Plugs are not sold separately. Assembled optical fiber cables are available in single-mode or multi-mode and length can be customized according to customer requirements.



● SO12DF



(Optional waterproof gasket for socket: blue for single-mode, black for multi-mode)

Features

- 12-channel fiber optic socket with two-component rubber, sealed and dustproof design
- Match with MPO fiber optic interface, easy to install and cost-effective
- IP65 protection rating when mated with optical fiber plugs

Product Models	Description
SO12MH	12-channel MTP fiber optic stainless steel plug
SO12DF	12-channel MTP fiber optic socket

IP67 Expanded Beam Fiber Optic

Unique Hermaphrodite Beam Expansion Connector

Ultra-low Attenuation, Robust and Flexible

Waterproof, Dustproof and Stain Resistant

Ideal for Outdoor and Challenging Environment





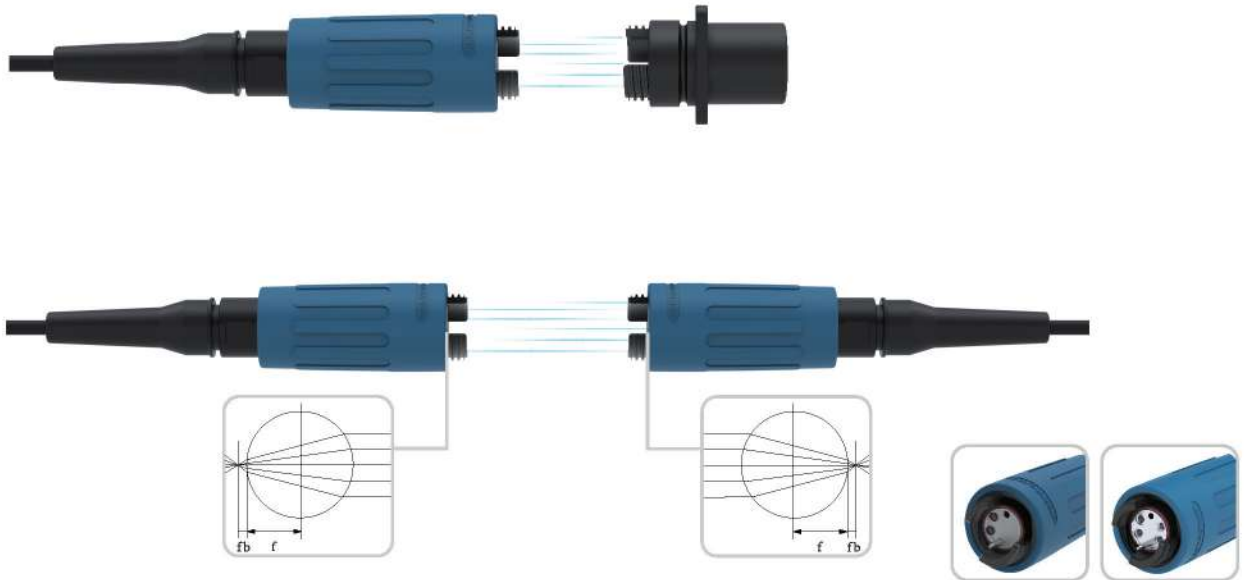
(Blue - Single-mode)

(Black - Multi-mode)

● SO2/4L (New Product)

Features

- Unique androgynous expanded beam optical fiber plug with ultra-low attenuation: single-mode <1.5 dB, multi-mode <1.0 dB (below international standards of 2.5 for single-mode and 2.0 for multi-mode)
- Available in 2-pole and 4-pole, single-mode and multi-mode and customized cable lengths with more than 3000 insertion cycleservice lifetime and there is no physical fiber contact resulting in long-term stable insertion loss
- Suitable for any harsh and demanding environment with IP67 protection rating
- High mechanical strength, high shear stress resistance, narrow bending range, low kink sensitivity, high strength aramid yarns with high clamping force and tensile resistance



● Fiber Optic Expanded Beam Principle

Product Models		Description
SO2L	2-channel expanded beam fiber optic plug	Cable diameter 5mm/8mm
SO4L	4-channel expanded beam fiber optic plug	Cable diameter 5mm/8mm
SO2DL	2-channel expanded beam fiber optic socket	
SO4DL	4-channel expanded beam fiber optic socket	



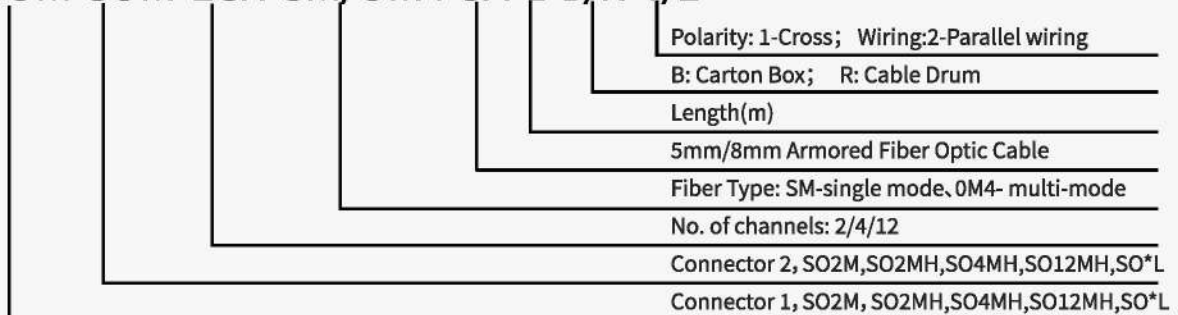
- Cable drum packaging (for cable length > 35m)



- Carton packaging (for cable length ≤ 35m)

Optical Fiber Cable Product Model Guide

SOM-SOM-2CH-SM/OM4-5A-L-B/R-1/2



Introducing industry's first of its kind

⊗ Tool-free wiring 4-pole loudspeaker connector

Durable, reliable and high impact plastic material

Direct plug wire connection without tool

IP65 protection level





Anti-screw function design

● SL4FXX-PRO (New Product)

Features

- Tool-free wiring design, without use of wiring tools, metal wires can be directly inserted into open connection points, making wiring assembly more convenient and fast.
- 4-pole loudspeaker plug, cable OD 1-2.5mm², after tool-free wiring: 2.5mm² - single core tension >150N , 1.5mm²- single core tension >100N
- Anti-screw function at the plug end which prevent the bushing from falling off during long-term use
- Improved grip design on the latch, more easy to operate
- Durable and Reliable high-impact plastic housing
- IP65 protection class

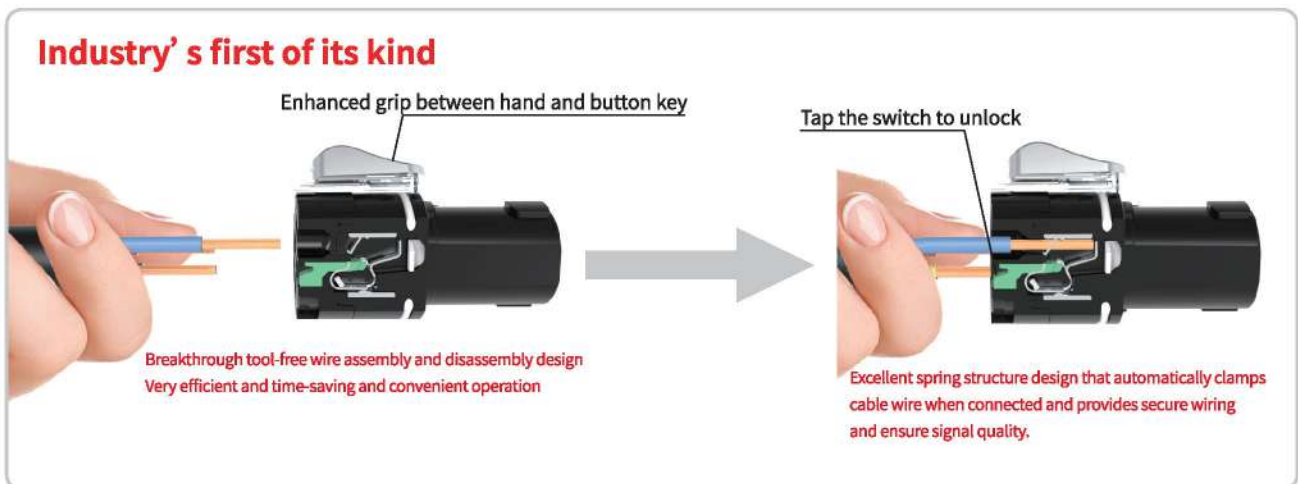


Figure Showing Tool-free Wiring Design

Product Model	Description		
SL4FXX-Pro	4-pole loudspeaker plug	Rated current 30A RMS	Cable OD 7-14mm



● SLDF4



● SLDM4



● SLDDM4



● SL4MP

Features

- 4-pole loudspeaker plug with nickel housing
- Rugged all-metal housing suitable for use in any harsh environment
- Sealing ring provides water resistance when mounted
- Simple with extremely precise locking system

Product Models

Description

Product Models	Description	Rated current
SLDF4	4-pole loudspeaker female plug Nickel plated housing Cable conductor $\leq 6\text{mm}^2$ (AWG10)	Rated up to 30A RMS
SLDF4-BC	4-pole loudspeaker female plug Black chrome housing Cable conductor $\leq 6\text{mm}^2$ (AWG10)	Rated up to 30A RMS
SLDM4	4-pole loudspeaker male plug Nickel plated housing Cable conductor $\leq 6\text{mm}^2$ (AWG10)	Rated up to 30A RMS
SLDM4-BC	4-pole loudspeaker male plug Black chrome housing Cable conductor $\leq 6\text{mm}^2$ (AWG10)	Rated up to 30A RMS
SLDDM4	4-pole loudspeaker socket Nickel plated housing Solder or 1/4" flat tabs	Rated up to 30A RMS
SLDDM4-BC	4-pole loudspeaker socket Black chrome housing Solder or 1/4" flat tabs	Rated up to 30A RMS



● ST301

Features

- Loudspeaker adapter for connecting cables
- 4-pole loudspeaker socket on both ends

Product Model

Description

ST301	4-pole loudspeaker adapter with SL4MP on both ends	Rated current 30A
-------	--	-------------------



● SL8FXX-W



Backward unlock button
Improved curved surface
with increased hand contact area
Better unlocking

Features

- 8-pole loudspeaker plug, cable diameter range up to 4mm²
- Improved grip design on the latch, more easy to operate
- Anti-screw function at the plug end which prevent the bushing from falling off during long-term use
- Durable and reliable high-impact plastic housing
- IP65 protection class



● SL8MPRXX-W



Internal sealing treatment



CNAC-SLT
(Waterproof Gasket)



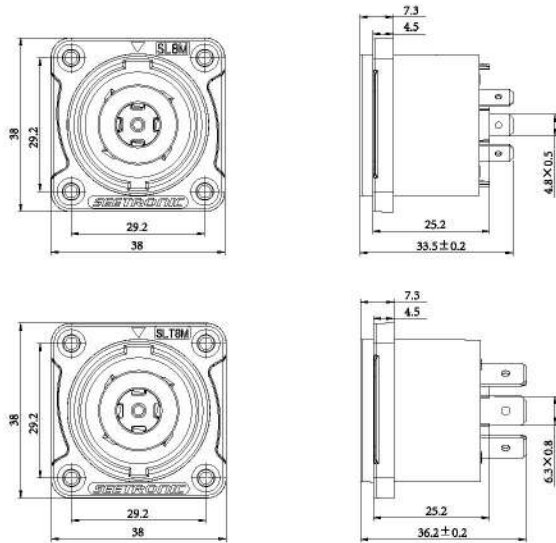
● SLT8MPXX-W



Internal sealing treatment

Features

- Sturdy and reliable high flame-retardant plastic core with metal housing
- IP65 protection rating when connected to a plug
- Sealed internally to prevent water vapor from entering the equipment



Mounting Dimensions

Product Models	Description	Rated current	Terminal Type
SL8FXX-W	Lockable 8-pole loudspeaker plug, cable OD 8-20mm	30A	Screw lock wiring
SL8MPRXX-W	8-pole loudspeaker socket	30A	3/16" flat tab terminals
SLT8MPXX-W	8-pole loudspeaker socket	30A	1/4" flat tab terminals

SEETRONIC





● MP2X-BG



● MP3X



● MP2RX-BG



● MP3RX-BG

Features

- Exquisite design with fine surface treatment and precision machining
- Suitable for stage, audio, sound console and other professional connection requirements
- Chuck type strain relief for reliable cable retention
- Pearl chrome or black plated housing, nickel or gold plated contacts

Product Models		Description		
MP2X	1/4" mono plug	Pearl chrome housing	Nickel plated contact	Cable OD 4-7mm
MP2X-B	1/4" mono plug	Black plated housing	Nickel plated contact	Cable OD 4-7mm
MP2X-G	1/4" mono plug	Pearl chrome housing	Gold plated contact	Cable OD 4-7mm
MP2X-BG	1/4" mono plug	Black plated housing	Gold plated contact	Cable OD 4-7mm
MP3X	1/4" stereo plug	Pearl chrome housing	Nickel plated contact	Cable OD 4-7mm
MP3X-B	1/4" stereo plug	Black plated housing	Nickel plated contact	Cable OD 4-7mm
MP3X-G	1/4" stereo plug	Pearl chrome housing	Gold plated contact	Cable OD 4-7mm
MP3X-BG	1/4" stereo plug	Black plated housing	Gold plated contact	Cable OD 4-7mm

Product Models		Description		
MP2RX	1/4" mono right-angle plug	Pearl chrome housing	Nickel plated contact	Cable OD 4-7mm
MP2RX-B	1/4" mono right-angle plug	Black plated housing	Nickel plated contact	Cable OD 4-7mm
MP2RX-G	1/4" mono right-angle plug	Pearl chrome housing	Gold plated contact	Cable OD 4-7mm
MP2RX-BG	1/4" mono right-angle plug	Black plated housing	Gold plated contact	Cable OD 4-7mm
MP3RX	1/4" stereo right-angle plug	Pearl chrome housing	Nickel plated contact	Cable OD 4-7mm
MP3RX-B	1/4" stereo right-angle plug	Black plated housing	Nickel plated contact	Cable OD 4-7mm
MP3RX-G	1/4" stereo right-angle plug	Pearl chrome housing	Gold plated contact	Cable OD 4-7mm
MP3RX-BG	1/4" stereo right-angle plug	Black plated housing	Gold plated contact	Cable OD 4-7mm



* RD-Red BU-Blue GN-Green YE-Yellow WH-White GY-Gray OG-Orange BN-Brown PU-Purple BK-Black



● MTP3C



● MTP3C-BG



● M2TP3C



● ST231L-BG

Features

- 3.5mm slim plug with chuck type strain relief verified countless times
- Exquisite design and convenient to use, tailored for professional headphones

Product Models

MTP3C	3.5mm stereo plug	Pearl chrome housing	Nickel plated contact	Cable OD 3.5-6.5mm
MTP3C-B	3.5mm stereo plug	Black plated housing	Nickel plated contact	Cable OD 3.5-6.5mm
MTP3C-G	3.5mm stereo plug	Pearl chrome housing	Gold plated contact	Cable OD 3.5-6.5mm
MTP3C-BG	3.5mm stereo plug	Black plated housing	Gold plated contact	Cable OD 3.5-6.5mm
M2TP3C	3.5mm stereo plug	Pearl chrome housing	Nickel plated contact	Cable OD 2-4.5mm
M2TP3C-B	3.5mm stereo plug	Black plated housing	Nickel plated contact	Cable OD 2-4.5mm
M2TP3C-G	3.5mm stereo plug	Pearl chrome housing	Gold plated contact	Cable OD 2-4.5mm
M2TP3C-BG	3.5mm stereo plug	Black plated housing	Gold plated contact	Cable OD 2-4.5mm
ST231L-BG	3.5mm stereo plug	Black plated housing	Gold plated contact	Cable OD 2-6mm



● ST224



● ST225



* RD-Red BU-Blue GN-Green YE-Yellow WH-White GY-Gray OG-Orange BN-Brown PU-Purple BK-Black

Features

- 1/4" mono plug with pearl chrome housing and nickel plated contact
- Chuck type strain relief verified countless times
- Exquisite design with fine surface treatment
- Suitable for stage, audio, sound console and other professional connection requirements

Product Models

Description

ST224	1/4" mono plug	Pearl chrome housing	Nickel plated contact	Cable OD ≤7mm
ST225	1/4" mono plug	Pearl chrome housing	Nickel plated contact	Cable OD ≤10mm

SEETRONIC





● MT390



● MT380



● MT380-RD



● MT380-WH

Product Models		Description			
MT380	RCA male plug	Black plated housing	Gold plated contact	Gray boot	Cable OD 3.5-6.5mm
MT380-RD	RCA male plug	Black plated housing	Gold plated contact	Red boot	Cable OD 3.5-6.5mm
MT380-WH	RCA male plug	Black plated housing	Gold plated contact	White boot	Cable OD 3.5-6.5mm
MT390	RCA female plug	Black plated housing	Gold plated contact	Gray boot	Cable OD 3.5-6.5mm

Features

- Professional RCA plug
- Reliable digital audio transmission signal and analog video signal
- Good contact performance and stable signal transmission
- High-quality structural design and excellent manufacturing material which ensures service life of ≥ 2000 mating cycles



* RD-Red BU-Blue GN-Green YE-Yellow WH-White GY-Gray OG-Orange BN-Brown PU-Purple BK-Black



● TX-Z1



● MF2D-B



● MF2D

Features

- Professional RCA sockets for transmitting digital audio signals and analog video signals
- Good contact performance and stable transmission signal, no noise interference
- D-shape metal housing with industry standard D-shape mounting dimensions provides installation compatibility

Product Models		Description	
MF2D	RCA female socket	Standard D-shape nickel plated housing	Gold plated contact
MF2D-B	RCA female socket	Standard D-shape black plated housing	Gold plated contact
TX-Z1	RCA female socket		Gold plated contact

SEETRONIC





● SEBNCM-75GF7



● SEBNCM-75PJ9



● SEBNCM-75PL9



● SEBNCM-75UX13

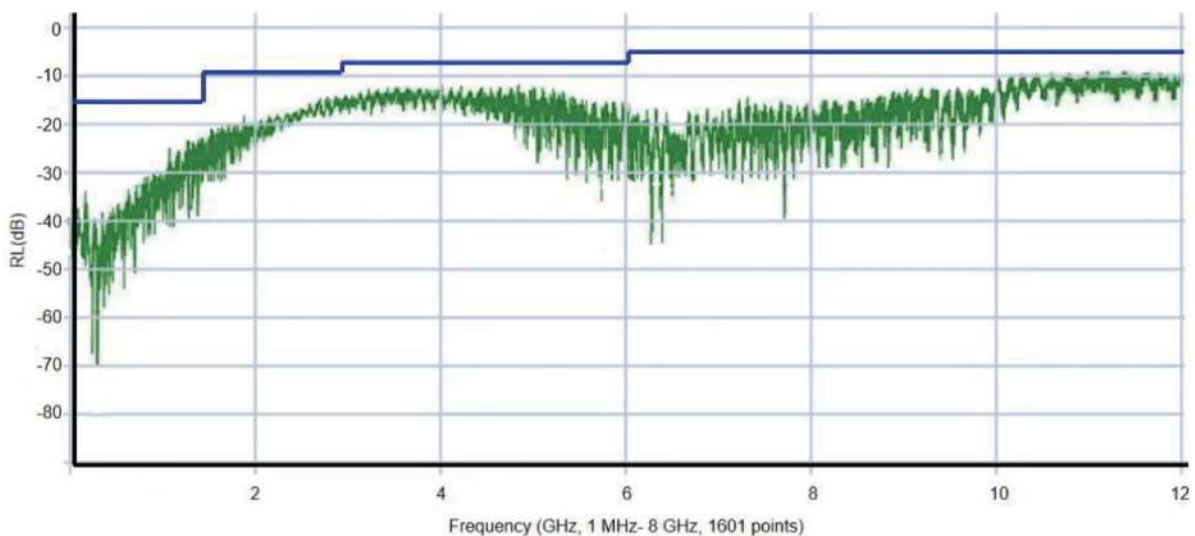
Features

- Reduced outer diameter pins and insulated design for low return loss, true 75Ω characteristics impedance for ultra-high definition (UHD) video signal transmission
- Easy to use Bayonet locking and unlocking
- Gold plated pin ensures signal stability after plugging and unplugging
- Fully compatible with traditional BNC socket

Product Models	Pin Crimp (mm)	Hexagonal Crimp (mm)	Cable OD (mm)	Insulation (mm)	Inner Conductor OD (mm)
SEBNCM-75GF7	1.07	5.00	4.70	3.10	0.70
SEBNCM-75PJ9	1.07	6.47	6.30	3.80	0.90
SEBNCM-75PL9	1.07	6.47	6.30	3.80	0.90
SEBNCM-75UX13	1.60	7.36	7.30	5.30	1.30

Seetronic BNC UHD Connector Test Report

The graph showing blue line is the industry standard and the green line is the test data of Seetronic BNC UHD which shows that our BNC connector passed the standard.



	Product Model	Pin Crimp (mm)	Hexagonal Crimp (mm)
Belden¹			
Belden 1855A (2k)	SEBNCM-75DD6	1.07	4.53
Belden 4855R (4k)	SEBNCM-75DD6	1.07	4.53
Belden 1505A (2k)	SEBNCM-75PL9	1.07	6.47
Belden 4505A (4k)	SEBNCM-75PL9	1.07	6.47
Cae²			
Cae UHD0628LSZH/PVC	SEBNCM-75GF7	1.07	5.00
Cae UHD08370ULTRA	SEBNCM-75PJ9	1.07	6.47
Cae UHD08370LSZH & VCB100LSZH	SEBNCM-75PL9	1.07	6.47
Canare³			
Canare L-2.5CHWS	SEBNCM-75GF7	1.07	5.00
Canare L-3.3CUHD	SEBNCM-75PL9	1.07	6.47
Canare L-4CFB	SEBNCM-75PL9	1.07	6.47
KLOTZ⁴			
KLOTZ V06/28, V062SH, VMXx75Y	SEBNCM-75GF7	1.07	5.00
KLOTZ V08/37H, VD083SH	SEBNCM-75PL9	1.07	6.47
KLOTZ V083LP 0.8/3.7DZ	SEBNCM-75PJ9	1.07	6.47
SOMMER⁵			
SOMMER 600-0101M	SEBNCM-75GF7	1.07	5.00
SOMMER 600-0104M	SEBNCM-75GF7	1.07	5.00
SOMMER 600-162(F), Vctor 0.8/3.7	SEBNCM-75PL9	1.07	6.47
SOMMER 600-0451	SEBNCM-75PL9	1.07	6.47
SOMMER 600-0621-05	SEBNCM-75GF7	1.07	5.00
SOMMER 600-0791	SEBNCM-75GF7	1.07	5.00
SOMMER 600-0851	SEBNCM-75GF7	1.07	5.00
SOMMER 600-0851-05	SEBNCM-75GF7	1.07	5.00
SOMMER 600-1451	SEBNCM-75GF7	1.07	5.00
SOMMER 600-2101	SEBNCM-75GF7	1.07	5.00
SOMMER 600-2231	SEBNCM-75PL9	1.07	6.47
SOMMER 600-0761	SEBNCM-75GF7	1.07	5.00
DRAKA⁶			
DRAKA HD PRO 100 UHD	SEBNCM-75UX13	1.60	7.36

¹BELDEN is a registered trademark of Belden Inc.

²Cae is a registered trademark of Cae Groupe

³Canare is a registered trademark of Canare Electric Co., Ltd.

⁴KLOTZ is a registered trademark of Klotz Audio Interface Systems A.I.S. GmbH

⁵SOMMER is a registered trademark of Sommer Cable GmbH

⁶DRAKA is a registered trademark of Prysmian Group



● MBB75F

● MBB75DFG

● MBB75F (Back)

● MBB75DFG (Back)

Features

- HD BNC socket
- True 75Ω design which meets stringent HDTV/DVD requirements
- Gold plated center contact pin ensures stable signal transmission after prolonged plugging and unplugging
- Standard D-shape housing provides flush mounting and protects from damage
- Suitable for RF coaxial cable connection in radio equipment and electronic instruments



● SBB75DFGX



● SBB75DFGX-B



● SB75FDGX-W-B



Features

- Provides low return loss at high frequencies with optional anti-gas specification
- True 75Ω characteristic impedance for ultra-high definition (UHD) video signal transmission
- Standard D-shape housing for flush mounting and protection from damage
- Fully compatible with conventional BNC cable connectors, gold plated contacts

Product Models		Description			
MBB75F	3G HD BNC socket	Nicket housing	Solder type	Grounded	
MBB75DFG	3G HD BNC socket	Nickel housing	Feed through	Grounded	
SBB75DFGX	12G UHD BNC socket	Chrome housing	Feed through	Grounded	
SBB75DFGX-B	12G UHD BNC socket	Black plated housing	Feed through	Ungrounded	
SB75FDGX-W-B	12G UHD BNC socket	Black plated housing	Feed through	Ungrounded	IP65, Air proof
SB75FDGX-01-W	12G UHD BNC socket	Nickel housing	Feed through	Grounded	IP65, Air proof

SEETRONIC





● SCCMCDF-01



● SCCMCDF-02

Features

- Reliable and compact Type-C connector according to USB 3.1 standard
- 24P full core ports with high current capacity rated at 5A
- Internal sealing treatment prevents water vapour from entering the device with IP65 protection rating
- SCCMCDF-02 has automatic self-flip cover design which makes the operation more simple

Product Models		Description	
SCCMCDF-01	USB 3.1 compact Type C female connector	24P full port	
SCCMCDF-02	USB 3.1 compact Type C female connector	24P full port	Automatic self-flip cover



● MAUSB-W-B



● MAUSB-W



● SAUSB-W-B



● SAHDMI-W

Features

- D-shape metal housing with industry standard D-type mounting dimensions provide installation compatibility
- This product is an audio or video transmission interface suitable for digital TV and computer video transmission including high-definition video (HDV) and high-definition TV (HDTV).

Product Models			Description	
SAUSB-W	USB socket	Type A - Type B	Nickel housing	
SAUSB-W-B	USB socket	Type A - Type B	Black plated housing	
SBUSB-W	USB socket	Type B - Type A	Nickel housing	
SBUSB-W-B	USB socket	Type B - Type A	Black plated housing	
MAUSB-W	USB socket	Type A - Type B, standard 2.54mm 4P header	Nickel housing	With rubber cover, IP65
MAUSB-W-B	USB socket	Type A - Type B, standard 2.54mm 4P header	Black plated housing	With rubber cover, IP65
SAHDMI-W	HDMI socket	1.3 adapter, 19-pin both ends	Nickel housing	Waterproof when mated CNAC-HDMI
SAHDMI-W-B	HDMI socket	1.3 adapter, 19-pin both ends	Nickel housing	Waterproof when mated CNAC-HDMI

SEETRONIC





Features

- Circular metal adapters
- Rugged zinc die-cast housing provides long lifetime and high reliability
- Multi-functional adapters for different interface requirement connections

Product Models	Description
MA3M3M	Circular metal adapter 3-pin XLR male - 3-pin XLR male
MA3M5F	Circular metal adapter 3-pin XLR male - 5-pin XLR female
MA3M5M	Circular metal adapter 3-pin XLR male - 5-pin XLR male
MA3MJ3	Circular metal adapter 3-pin XLR male - 1/4" jack female
MA3MP2	Circular metal adapter 3-pin XLR male - 1/4" mono plug
MA3MP3	Circular metal adapter 3-pin XLR male - 1/4" stereo plug
MA3MRF	Circular metal adapter 3-pin XLR male - RCA female plug
MA3MRM	Circular metal adapter 3-pin XLR male - RCA male plug



● MA3F3F



● MA5F3F



● MA5M3F



● MA3FJ3



● MA3FP2



● MA3FP3



● MA3FRF



● MA3FRM

Features

- Circular metal adapters
- Rugged zinc die-cast housing provides long lifetime and high reliability
- Multi-functional adapters for different interface requirement connections

Product Models	Description
MA3F3F	Circular metal adapter 3-pin XLR female - 3-pin XLR female
MA5F3F	Circular metal adapter 5-pin XLR female - 3-pin XLR female
MA5M3F	Circular metal adapter 5-pin XLR male - 3-pin XLR female
MA3FJ3	Circular metal adapter 3-pin XLR female - 1/4" jack female
MA3FP2	Circular metal adapter 3-pin XLR female - 1/4" mono plug
MA3FP3	Circular metal adapter 3-pin XLR female - 1/4" stereo plug
MA3FRF	Circular metal adapter 3-pin XLR female - RCA female plug
MA3FRM	Circular metal adapter 3-pin XLR female - RCA male plug



● MP2-RF



● MP3-2MJF



● MP3-2PM



● MP3-2RF



● MP3-MJF



● MP3-PM-R

Features

- Professional appearance with durable plastic housing
- Multi-functional adapters for different interface requirement connecti

Product Models	Description
MP2-RF	Plastic housing adapters 1/4" mono plug - RCA female socket
MP3-2MJF	Plastic housing adapters 1/4" stereo plug - 2 x 3.5mm jack
MP3-2PM	Plastic housing adapters 1/4" stereo plug - 2 x 1/4" jack
MP3-2RF	Plastic housing adapters 1/4" stereo plug - 2 x RCA female socket
MP3-MJF	Plastic housing adapters 1/4" stereo plug - 3.5mm jack
MP3-PM-R	Plastic housing adapters 1/4" stereo plug - 1/4" right-angle jack



● MMJ3-2MJF



● MMJ3-2PM



● MMJ3-2RF



● MMJ3-PM



● MMJ3-MJF-R



● MMJ3-PM-R



● MRM-2RF

Features

- Professional appearance with durable plastic housing
- Multi-functional adapters for different interface requirement connecti

Product Models	Description	
MMJ3-2MJF	Plastic housing adapter	3.5mm stereo plug - 2 x 3.5mm jack
MMJ3-2PM	Plastic housing adapter	3.5mm stereo plug - 2 x 1/4" jack
MMJ3-2RF	Plastic housing adapter	3.5mm stereo plug - 2 x RCA female socket
MMJ3-PM	Plastic housing adapter	3.5mm stereo plug - 1/4" jack
MMJ3-MJF-R	Plastic housing adapter	3.5mm stereo plug - 3.5mm right-angle jack
MMJ3-PM-R	Plastic housing adapter	3.5mm stereo plug - 1/4" right-angle jack
MRM-2RF	Plastic housing adapter	RCA male plug - 2 x RCA female socket



NINGBO SEETRONIC ELECTRONIC TECHNOLOGY CO., LTD.

No. 2 Yunyao Road, Yunlong Town, Yinzhou District
Ningbo City, Zhejiang Province 315131
China

T: +86 574 82819269
F: +86 574 83070418
E: sales@seetronic-group.com

SEETRONIC EUROPE GmbH

Dieselstrasse 21
85232 Bergkirchen
Germany

T: +49 8131 333 94 90
E: sales.eu@seetronic-group.com

www.seetronic.com
©2025 All Rights Reserved