

# MST



Full height turnstiles from Alvarado secure sensitive and restricted areas and provide entry control for all kinds of applications. Turnstiles do what a gate or door cannot: provide directional control of each passage and limit access to one person per activation. A turnstile does not sleep, take breaks, play favorites or require a paycheck, it simply provides a secure, unmanned point of entry that significantly increases facility security.

The MST is the most trusted, secure and reliable full height turnstile available. It is installed in thousands of locations throughout the world and offers key product features and benefits only available from Alvarado.



## COMMON APPLICATIONS

- Perimeter Control/Fence Line Security
- Time & Attendance Integration
- Loss Prevention
- Employee and Visitor Access Control
- Unmanned Point of Entry
- Single Direction Traffic Control/One-Way Exiting

## Why Alvarado?

Alvarado is the leading manufacturer of full height turnstiles. Since its founding in 1956, Alvarado equipment has been installed in thousands of locations throughout the world.

Our superior product quality, integration expertise and industry leading service and support are just a few reasons that many of the world's most respected companies use our products again and again.

## KEY FEATURES

- Full Featured Control Board (electric models)
- Hydraulic Speed Control/Self-Centering
- Fully Welded Roto, Yoke & OV
- Built-in Key Override Controls
- Pull Out Top Channel Cover
- Easy Fail-Lock/Fail-Safe Configuration Change

## BENEFITS

- Works with any access control or card reader without added relays, electronics or programming for an **effortless integration**.
- Self-adjusting user pushing tension eliminates slamming and smoothly self-centers the Roto, **increasing user safety and extending equipment life**.
- Welded construction (no bolts & fasteners) **increases product strength, simplifies installation and produces a more attractive & secure turnstile**.
- Quickly unlocks one or both directions for more **flexible product use** and easy authorized bypass access.
- Stainless Top Channel Cover may be removed horizontally, **reducing the clear overhead space required for removal**.
- Simple change from fail-lock to fail-safe **saves thousands of \$\$\$ versus competitors** if a field change is required.



## AVAILABLE MODELS

- MST-3 (Manual)
- MST-6X (Electrically Controlled)

## OPTIONS

Dozens of options and a selection of materials and finishes are available.

## COMPLEMENTARY PRODUCTS

MSG pedestrian security gates often accompany full height turnstiles to facilitate delivery of material or bulky items.

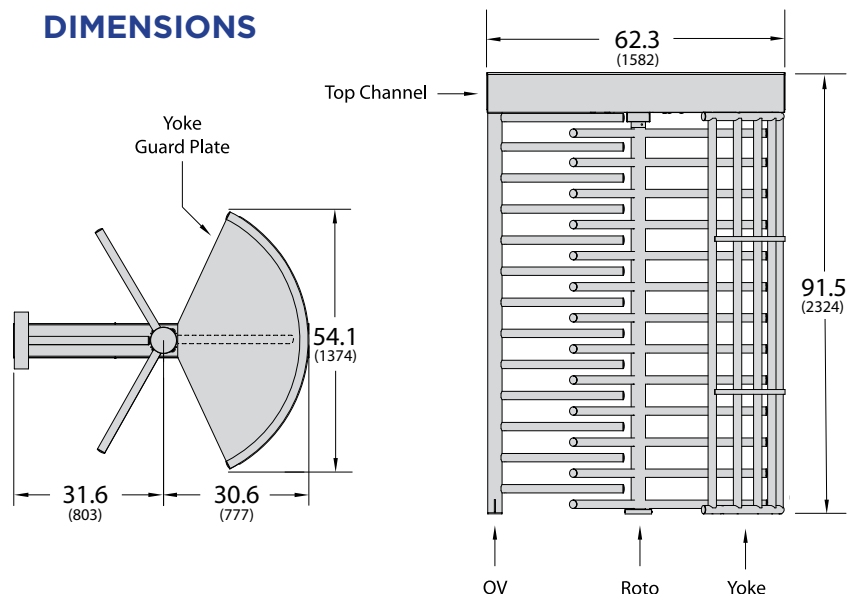


## RESOURCES

Alvarado's knowledgeable staff understands that many customers do not deal with turnstiles on a regular basis. We offer expert assistance and technical expertise to ensure the best solution is selected for your facility.

Additional information, including detailed specifications, installation manuals, CAD drawings, application images and throughput considerations can be found online.

## DIMENSIONS



Dimensions shown in inches (mm). All measurements are approximate.