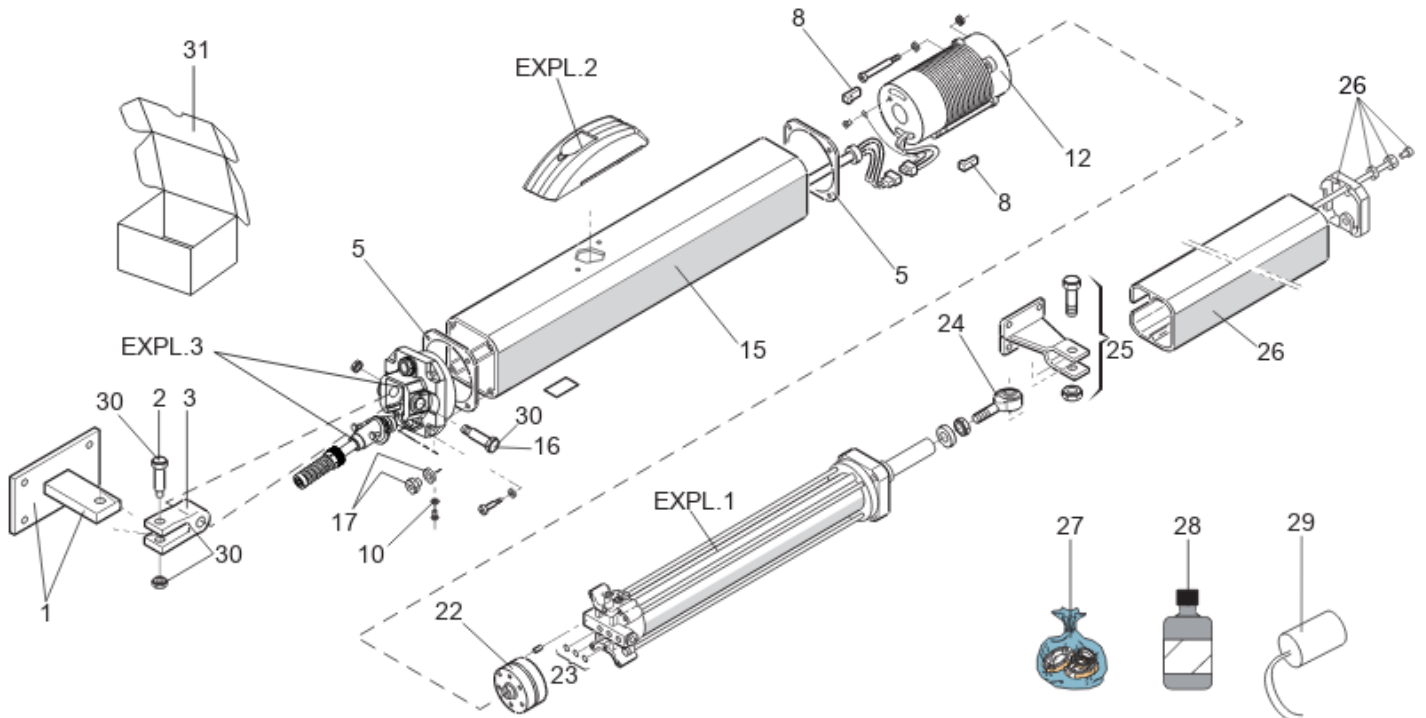


400 CBAC L



Pos.	Code	EAN	Quantity	Replacement code	Description	Salable
1	72840065	8055195034561	1		PLATE AND REAR BRACKET	yes
2	7182075	8055195023527	1		SHORT PIN 400	yes
3	7228015	8055195024395	1		DIE-CAST REAR FORK	yes
5	70991015	8055195033953	2		GASKET FOR TANK 84,7 X 84,7 mm	yes
8	63003303	8055195057539	1		400/402/422 VIBRATION ISOLATION MOUNTING	yes
9	41850215	8055195028027	1		LOCK KIT NEW OUTLET	yes
10	7094065	8055195022667	1		COPPER WASHER 7X4X1	yes
12	7700055	8055195025972	1		MOTOR 220V 4P. SINGLE PHASE WITH THERMAL	yes
15	7161835	8055195023312	1		400 LN TANCK '05 RELEASE	yes
16	7182175	8055195023558	1		LONG PIN 400-402	yes

Pos.	Code	EAN	Quantity	Replacement code	Description	Salable
17	7110015	8055195022995	1		CAP	yes
22	3204445	8055195015034	1		PUMP LT. 1,5 WITH INTEGRATED DISTAN.	yes
23	7090010015	8055195040074	3		SEAL OR 4,48X1,78 (2018)	yes
24	7073025	8055195022308	1		M12 JOINT MALE	yes
25	7220365	8055195024074	1		FRONT BRACKET 400/87	yes
26	63003329	8055195057775	1		400 L COVER GROUP	yes
27	490329	8055195051179	1		SEAL KIT 400 2005	yes
28	714017	8055195010923	3		HYDRAULIC OIL FAAC HP OIL LT. 1	yes
29	7601351	8055195025941	1		CAPACITOR PP 8MF-400V WIRES UNIP.250MM	yes
30	4900645	8055195015768	1		ALLUMINIUM FORK KIT	yes
31	63000631	8055195060805	1		402/402/422/S450H PACKAGING (13 PCS.)	yes