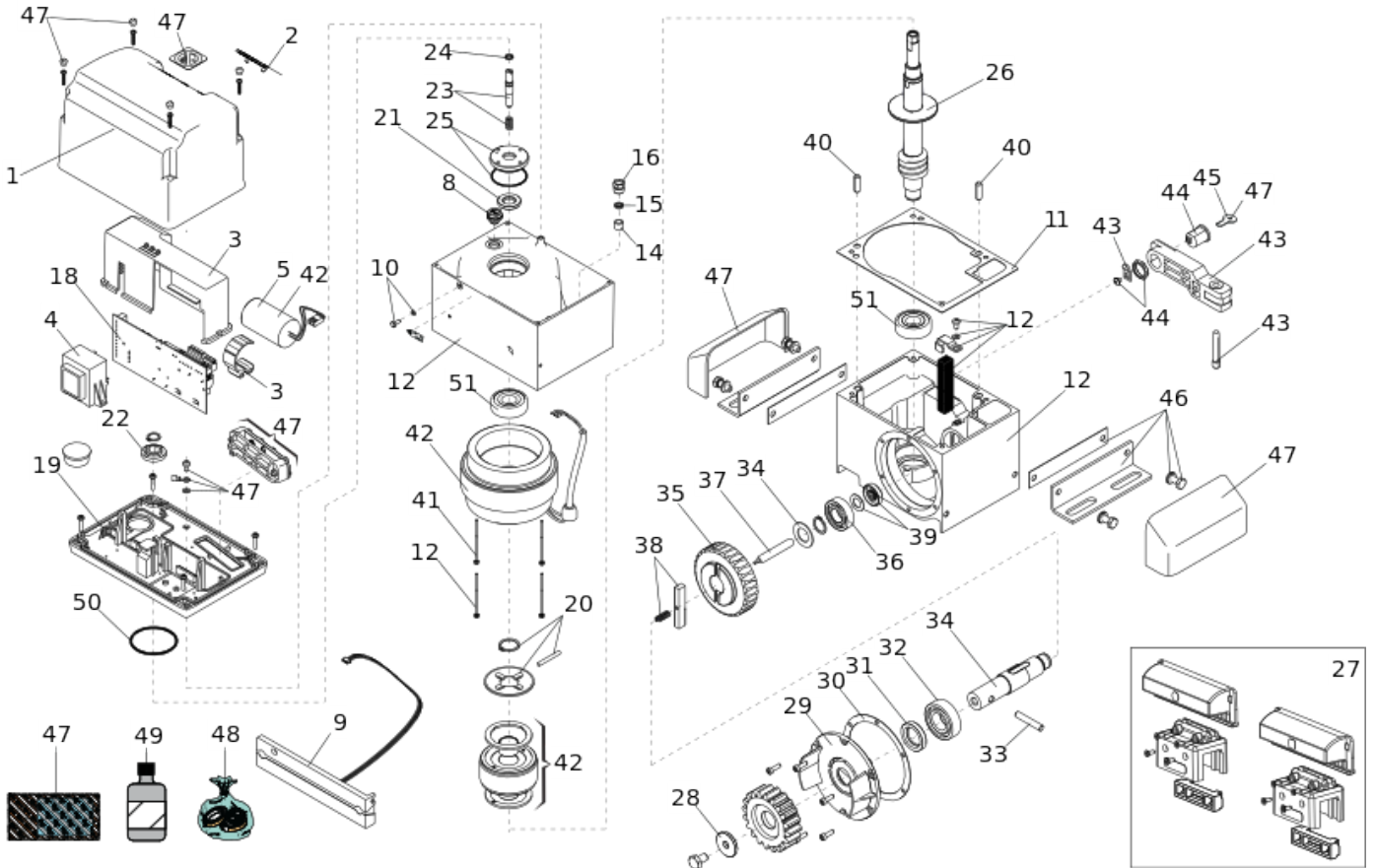


844 ER



Pos.	Code	EAN	Quantity	Replacement code	Description	Salable
1	7273425	8055195024814	1		844 RESTYLING OPERATOR CAP	yes
2	7324745	8055195025187	1		2003 FAAC LOGO	yes
3	63003341	8055195057874	1		780D COVER AND CAPACITOR BRACKET	yes
4	7501365	8055195025682	1		TRANSFORMER 230V - 18V/15VA RES.-FLANG.	yes
5	63002795	8055195033519	1		CND PP 18MF 450V UNIP.CABLE150MM.SPARE	yes
8	7110015	8055195022995	1		CAP	yes
9	63000709	8055195060676	1		746/844/C851 MLS SENSOR (2020)	yes
10	390516	8055195007169	1		BREATHER CAP	yes
11	7099645	8055195022902	1		GASKET 844	yes
12	63001606	8055195061031	1		746/844 BODIES GROUP (2020)	yes

Pos.	Code	EAN	Quantity	Replacement code	Description	Salable
14	7099245	8055195022841	1		STRAIN RELIEF GASKET	yes
15	7043355	8055195022131	1		CABLE GLAND RING	yes
16	7109095	8055195022957	1		CABLE GLAND	yes
18	63000710	8055195060683	1		780D CONTROL BOARD (2020)	yes
19	7273405	8055195024791	1		BASE FOR 746/844 R COVER	yes
20	63003336	8055195057836	1		746/844 FRICTION DISK GROUP	yes
21	7093105	8055195022605	1		SEAL FOR ROTATING SHAFT A 15304,5 FKM	yes
22	7226605	8055195024371	1		MAGNETIC DISK 746/844 RESTYLING	yes
23	63003342	8055195057881	1		746/844 CLUTCH SPRINGS AND SCREW	yes
24	7090300015	8055195040234	1		GASKET OR 7.66X1.78 90 SHORE	yes
25	63003230	8055195043631	1		746/844 ADJUSTING RING+O-RING	yes
26	63001608	8055195060942	1		844 ER MOTOR SHAFT (2020)	yes
27	63001035	8055195032352	1		MAGNETIC LIMIT SWITCH GROUP	yes
28	7030185	8055195022063	1		WASHER 10,5X35X4 CAT.A Z	yes
29	71707615	8055195034516	1		SIDE FLANGE 820-860	yes
30	7094085	8055195022674	1		GASKET LATERAL FLANGE 820-860	yes
31	7093005	8055195022575	1		SEAL FOR ROTATING SHAFT A 25407 FKM	yes
32	7070111		1		BEARING 6205 (25x52x15) V2	no
33	7061115	8055195022247	1		PIN 8X45 RIC.UNI EN22338	yes
34	7180785	8055195023480	1		QUITE TREE 746-844	yes

Pos.	Code	EAN	Quantity	Replacement code	Description	Salable
35	7192075	8055195023671	1		746/844 CROWN WHEEL	yes
36	7070121		1		BEARING 6004 (20x42x12) V2	no
37	7182765	8055195023572	1		UNLOCK PIN 746-844	yes
38	63003337	8055195057843	1		746/844 KEYWAY KEY AND SPRING GROUP	yes
39	7093055	8055195022599	1		SEAL FOR ROTATING SHAFT A 10307 FKM	yes
40	7061035	8055195022230	2		PIN 8 X25 H8 UNI EN 22338	yes
41	63001612	8055195060980	4		844 STATOR SCREWS (M4)	yes
42	63003161	8055195033793	1		844 MOTOR	yes
43	63003339	8055195057867	1		746/844 RELEASE LEVER GROUP	yes
44	7120885	8055195023183	1		LOCK ART.3889.3	yes
45	7131005	8055195023213	1		KEY MOD. 3889.0913	yes
46	63003338	8055195057850	1		746/844 FIXING BRACKETS AND SPACERS GROU	yes
47	3905745	8055195015171	1		SKIN PACK 746ER/844ER	yes
48	390829		1		GASKET KIT 746 '98 MOTOR	no
49	714017	8055195010923	2		FAAC HP OIL LT.1	yes
50	7090620025	8055195054439	1		O-RING 2,62X56,82 NB70	yes
51	7070102		2		BEARING 6204 2Z (20x47x14) V3	no