

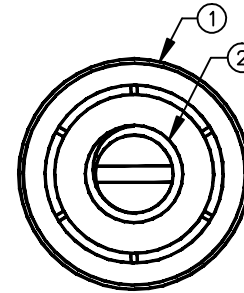
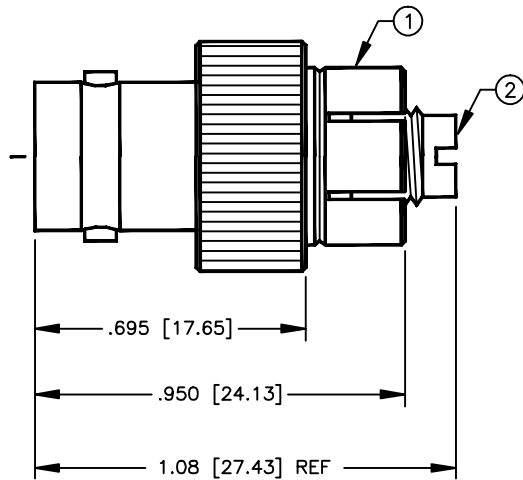
SPECIFICATION CONTROL DRAWING

THIS DRAWING CONTAINS INFORMATION PROPRIETARY TO RF INDUSTRIES, LTD. ANY UNAUTHORIZED USE OF THIS DRAWING IS EXPRESSLY PROHIBITED. ANY VIOLATION IS PUNISHABLE UNDER U.S. COPYRIGHT LAWS.

REV	DESCRIPTION	DWN	DATE	APPROVED
A	ENGINEERING RELEASE	PB	12/16/92	J. BENZ
B	UPDATE & CHG CONTACT THREADS \ RPLS DWG #7874	PB	6/18/93	K.HARTMANN
C	ADD DIMS TO BODY & DIE \ CHG TO 1 PIECE CONTACT	KMM	9/19/95	R. RICE
D	CHANGE DIELECTRIC TO TRUE 50 OHM CONFIGURATION	KMM	12/16/98	R. RICE

ALL DIMENSIONS ARE REFERENCE ONLY

000000



EQUIVALENT TO: KENWOOD E04-0256-25

SPECIFICATIONS:

IMPEDANCE: 50 OHMS

DIMENSIONS ARE IN INCHES AND [MILLIMETERS]
UNLESS OTHERWISE NOTED TOLERANCES ARE:
DECIMALS DIAMETER

RF connectors
DIVISION OF RF INDUSTRIES, LTD.

7610 MIRAMAR RD
SAN DIEGO, CA 92126
(619)549-6340
(619)549-6345 FAX

RFB-1145

BNC FEMALE TO 1/4 X 32 STUD ADAPTER

ITEM	DESCRIPTION	QTY	MATERIAL	FINISH
3	DIELECTRIC	1	PTFE	NONE
2	CONTACT	1	BRASS	SILVER
1	BODY	1	BRASS	NICKEL

DRAWN K. MAXWELL	12/16/98
CHECKED	
ORJ DRAWN P. BREAUX	12/16/92
APPROVALS	DATE

SIZE A	CABLE GROUP N/A	DWG NO. 8144	REV D
SCALE: 2:1	CAD FILE 13ARC B	SHEET 1 OF 1	