

 <p>The Rack Floor Attachment Kit includes the following components:</p> <ul style="list-style-type: none"> (4) 1/2-13 X 3 3/4" Long Concrete Stud Anchors (4) 1/2" Flat Washers (4) 1/2-13 Hex Nuts 	<h4 style="text-align: center;">Required Tools</h4> <div style="display: flex; justify-content: space-around; align-items: center;"> <div style="text-align: center;">  <p>Drill with 1/2" Dia. Masonry Bit at least 2 1/2" Long</p> </div> <div style="text-align: center;">  <p>Hammer</p> </div> </div>
---	---

- The Rack Floor Attachment Kit may be used to anchor any of Panduit's 3" Standard Racks, 6" Racks, 4 Post Racks, or Net-SERV and Net-Access Cabinets in place to a concrete floor.
- The 1/2-13 X 3 3/4" Long Concrete Stud Anchors are **not** reuseable once they are fastened into the floor, so it is very important that the rack or cabinet is placed in the desired location **prior to installation**.

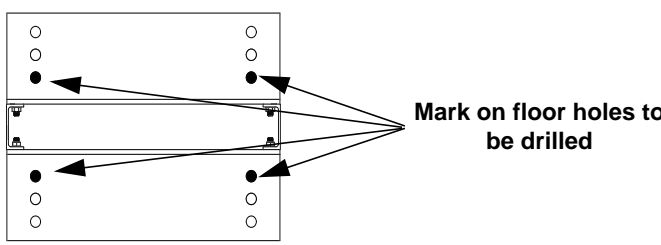
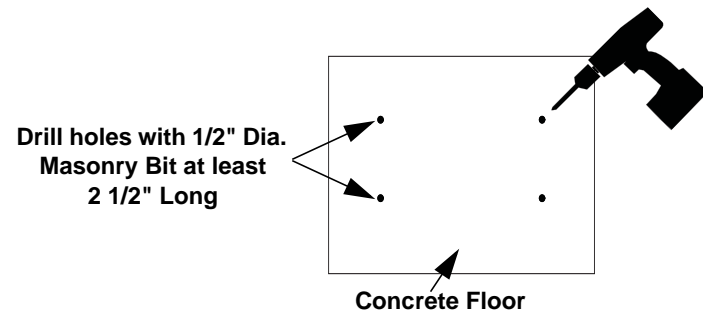
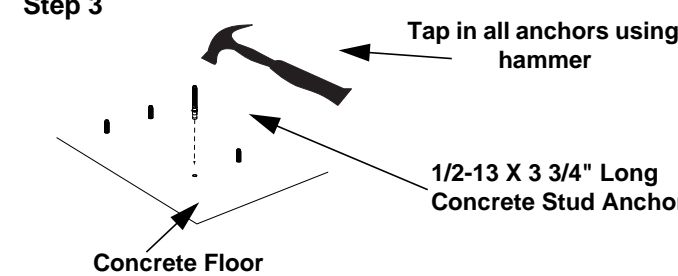
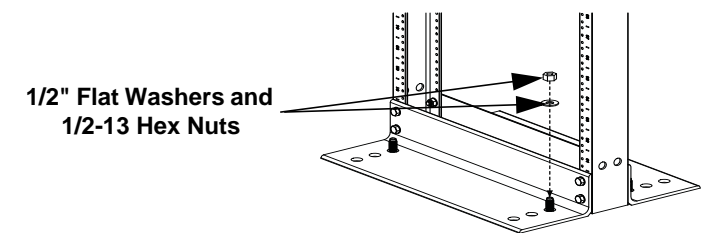
Installation

Step 1: With rack or cabinet in place, mark areas on the floor where the holes will be drilled.

Step 2: Temporarily remove rack or cabinet to drill (4) holes into floor. The (4) holes must be drilled 2 1/2"-2 3/4" deep using a 1/2" dia. masonry drill bit.

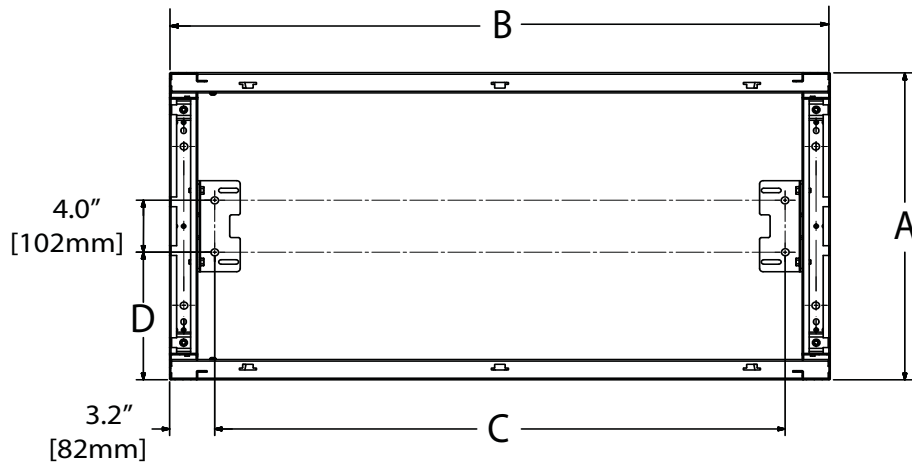
Step 3: Tap the 1/2-13 X 3 3/4" Long Concrete Stud Anchors into all (4) holes in the orientation shown using a hammer. Realign rack or cabinet over the Anchors.

Step 4: Tighten the rack or cabinet to the floor using the (4) 1/2" Flat Washers and the (4) 1/2-13 Hex Nuts.

<h4>Step 1</h4>  <p style="text-align: center;">Mark on floor holes to be drilled</p>	<h4>Step 2</h4>  <p style="text-align: center;">Concrete Floor</p>
<h4>Step 3</h4>  <p style="text-align: center;">Concrete Floor</p>	<h4>Step 4</h4>  <p style="text-align: center;">1/2" Flat Washers and 1/2-13 Hex Nuts</p>

Net-SERV Cabinet Mounting Footprint

Floor Anchoring Footprint



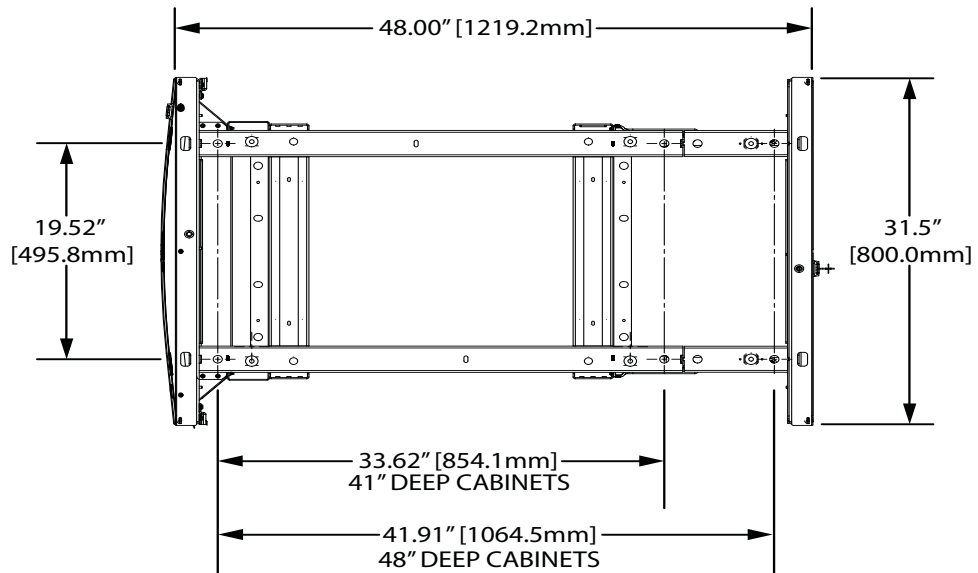
Cabinet Dimensions		Mounting Distances			
Width	Depth	A	B	C	D
23.6" [600mm]	47.2" [1200mm]	23.6" [600mm]	47.2" [1200mm]	40.7" [1035mm]	9.8" [250mm]
27.6" [700mm]	47.2" [1200mm]	27.6" [700mm]	47.2" [1200mm]	40.7" [1035mm]	11.8" [300mm]

Net-Access Cabinet Mounting Footprint (32"X 48" Cabinet Shown)

41" Deep Cabinets- 4 Mounting Hole Locations

48" Deep Cabinets- 6 Mounting Hole Locations

Floor Anchoring Footprint



For Instructions in Local Languages
and Technical Support:

www.panduit.com/resources/install_maintain.asp



E-mail:
cs@panduit.com

Fax:
(708) 444-6448