

**RedGear**<sup>®</sup>  
**MANUFACTURING**



MADE IN THE USA



**FIRE SUPPLY CATALOG**

**RedGear**<sup>®</sup>  
**LINEAR HEAT  
INSTALLATION  
SUPPLIES**

**RedPipe**  
**AIR SAMPLING  
PIPE & FITTINGS**



**LOWEST COST**

**SINGLE SOURCE**

**FACTORY DIRECT**

[www.RedGearMfg.com](http://www.RedGearMfg.com)

JUNE-2018

# RedGear<sup>®</sup> Manufacturing

## ABOUT US

Traditionally the fire industry has adapted off the shelf installation materials to install air sampling smoke and linear heat detection systems. At the request of a manufacturer and with their assistance, RedGear evaluated the installation materials for these systems, and with the assistance of the installers redesigned new, more practical installation supplies made specifically for these systems.

RedGear's new simple designs combine the best of the old with the new by eliminating the need to use multiple parts for a single mount. This results in parts that are faster and easier to install at a significantly lower cost from a single source.



## CUSTOM DESIGNED FOR THE FIRE INDUSTRY

- Fire Resistant
- UL Listed
- Lowest Cost Guaranteed
- Pipe is Approved Plenum Spaces
- Meets NFPA Standards
- Designed, Built and Shipped from North Carolina, USA

## MADE IN THE U.S.A

RedGear is bringing back jobs to the United States of America. We engineer, build and deliver directly from our manufacturing facility in North Carolina. We combine complex specialty chemicals to optimize the quality and performance of all of our accessories and Pipe fittings.

- Affordable
- Easy to Use
- Reliable
- Single Source



**RedGear<sup>®</sup>**  
Bringing Jobs Back To America

**CONTENTS**

**RedGear Fire Equipment Supplies**

# ***RedGear***® ***LHD Supplies***

Linear Heat Detection Installation Supplies Price List.....	11-25
System Example.....	4
NFPA 72 Linear Heat Code.....	5-6
Linear Heat Detection Installation Resources.....	4-10
Linear Heat Detection System Examples.....	7-10
J-Boxes and Accessories.....	12
Test Box.....	14
Intrinsic Safety Barriers.....	13
Cable Ties.....	15
Mounting Clips.....	16
Beam Clamps.....	17
Freezer Mounts.....	18
Cable Tray Clips.....	19
Universal Mount.....	20
RedGear Splice Kit.....	21-22
Splicing Accessories.....	23
Guidewire/Messenger Wire Accessories.....	24
Testing a LHD System.....	25

# ***RedPipe Air Sampling***

Air Sampling Installation Supplies Price List.....	34-40
System Example.....	27
NFPA 72 Air Sampling Smoke Code.....	28-29
Air Sampling Smoke Detection Installation Resources.....	27-33
Air Sampling Smoke Detection System Examples.....	30-33
RedPipe Air Sampling Pipe.....	35
Pipe Fittings.....	36
Pipe Clip Hangers.....	38
Capillary Kit.....	37
Pipe Accessories.....	39
Pipe Kit.....	40

Terms and Conditions.....	41-42
---------------------------	-------

RedGear Manufacturing  
113 Indian Trail Rd. North Bldg. 126  
Indian Trail, NC 28079  
Tel.: 704-839-0223

**Web:RedGearMfg.com**

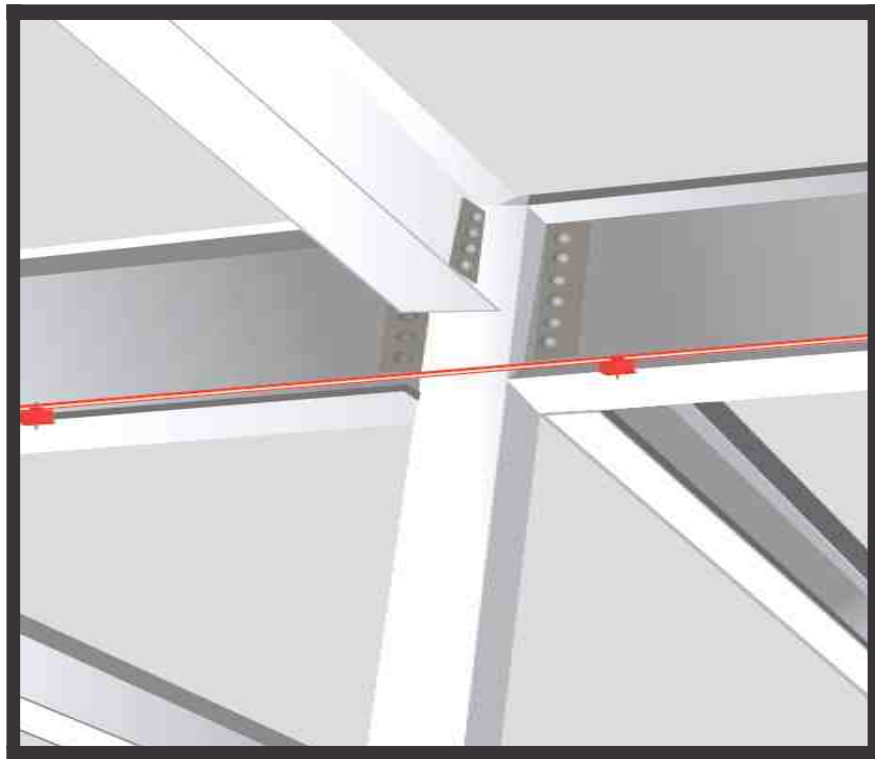


# **RedGear**®

## **Linear Heat Detection Installation Supplies**

Compatible with all Linear Heat Detection Systems

- Analog Linear Heat
- Fiber Optic Linear Heat
- Digital Linear Heat
- Water Leak Cable



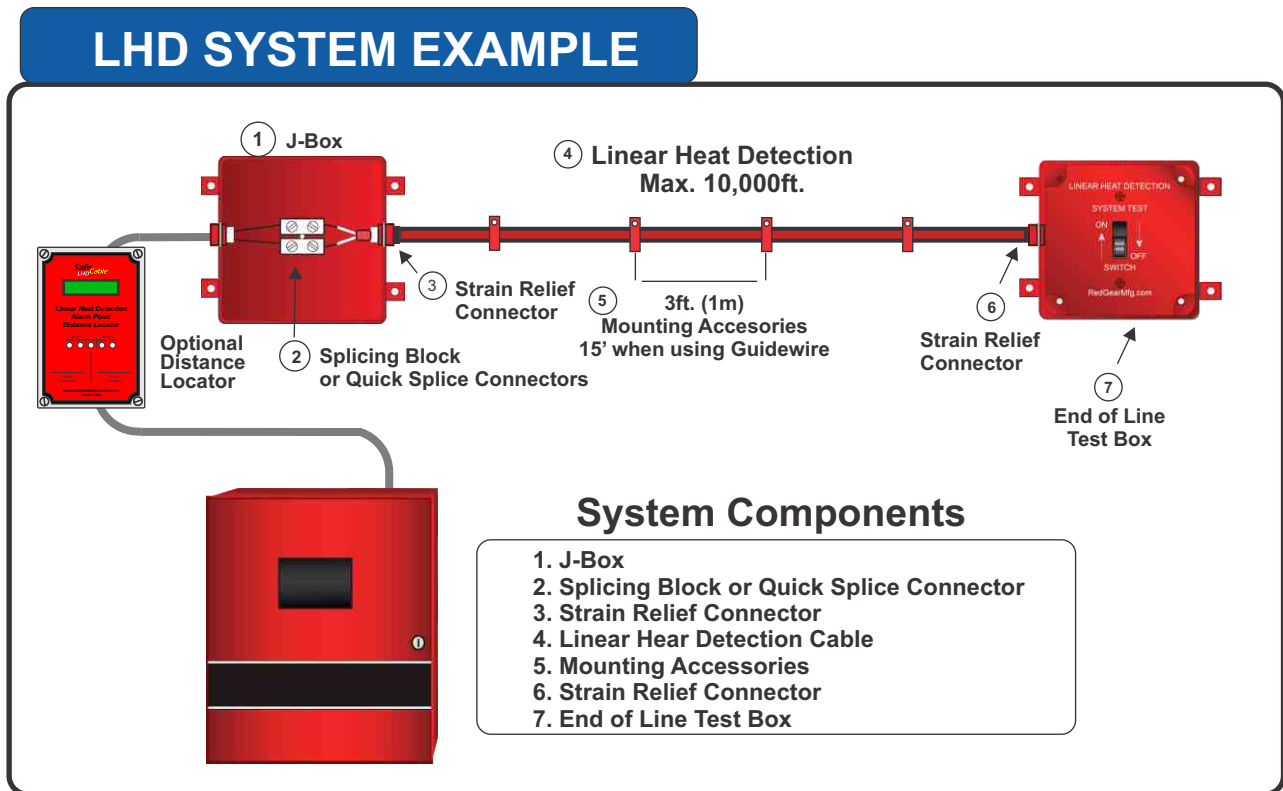
## **Meets NFPA Standards**

# Linear Heat Detection Installation Resources:

In this section you will find examples of system applications along with pertinent sections of the 2013 NFPA 72 code for your reference

(Always follow all applicable federal, local and NFPA codes along with the manufacturer's recommendations)

- |                              |            |                                  |             |
|------------------------------|------------|----------------------------------|-------------|
| ■ <b>System Example</b>      | <b>4pg</b> | ■ <b>Conveyors</b>               | <b>8pg</b>  |
| ■ <b>NFPA 72 Code</b>        | <b>5pg</b> | ■ <b>Generators</b>              | <b>9pg</b>  |
| ■ <b>Addressable System</b>  | <b>7pg</b> | ■ <b>Tunnels</b>                 | <b>9pg</b>  |
| ■ <b>Conventional System</b> | <b>7pg</b> | ■ <b>Cable Trays</b>             | <b>10pg</b> |
| ■ <b>Rack Storage</b>        | <b>8pg</b> | ■ <b>Floating Roof Top Tanks</b> | <b>10pg</b> |



## Linear Heat National Fire Codes

Below you will find portions of the NFPA 72®, 2014 National Fire Alarm and Signaling Codes pertinent to Linear Heat detection. Please refer to the specific NFPA Code publication for additional information.

### Chapter 3 Definitions

**3.1 General.** The definitions contained in this chapter apply to the terms used in this code.

**3.3.66.11 Line-Type Detector.** A device in which detection is continuous along a path. Typical examples are rate-of-rise pneumatics tubing detectors, projected beam smoke detectors, and heat-sensitive cable. (SIGOIDS).

### 10.5.3 Inspection, Testing and Maintenance Personnel. (SIG-TMS)

**10.5.3.3\*** Service personnel shall be qualified and experienced in the inspections, testing, and maintenance of systems addressed within the scope of this Code. Qualified personnel shall include, but not be limited to, one or more of the following:

(1)\*Personnel who are factory trained and certified for the specific type and brand of system being serviced.

### 10.4 Installation and Design

**10.4.1** All systems shall be installed with in accordance with the specifications and standard approved by the authority having jurisdiction.

### Chapter 14 Inspection, Testing and Maintenance

**14.2.2.1.1** Inspection, testing, and maintenance programs shall satisfy the requirements of this code and conform to the equipment manufacturer's published instructions.

**14.2.2.1.2** Inspection, testing, and maintenance programs shall verify correct operation of the system.

### 14.4.2 Test Methods

Heat test shall be preformed with a heat source per the manufacturer's published instructions. A test method shall be used that is specified in the manufacturer published instructions for the installed equipment, or other method shall be used that will not damage the non-restorable fixed temperature element.

### Chapter 17 Initiating Devices

#### 17.5 Requirements for Smoke and Heat Detectors

#### 17.6 Heat-Sensing Fire Detectors

(d) Heat detectors

(1) Fixed Temperature, rate of rise, rate of compensation, restorable line, spot type (excluding pneumatic tube type)

#### 17.6.2 Temperature

**17.6.2.1 Classification.** Heat-sensing fire detectors of fixed-temperature or rate-comensated, spot type shall be classified as to th temperature of operation in accordance with Table 17.6.2.1.

Table 17.6.2.1 Temperature Classification and Color Code for Heat Sensing Fire Detectors

Temperature Classification	Temperature Rating Range		Maximum Ceiling Temperature		Color Code
	°F	°C	°F	°C	
Low*	100-134	39-57	80	28	Uncolored
Ordinary	135-174	58-79	115	47	Uncolored
Intermediate	175-249	80-121	155	69	White
High	250-324	122-162	230	111	Blue
Extra high	325-399	163-204	305	152	Red
Very extra high	400-499	205-259	380	194	Green
Ultra high	500-575	260-302	480	249	Orange

\*Intended only for installation in controlled ambient areas. Units shall be marked to indicate maximum ambient installation temperature.

#### 17.6.3 Location and Spacing

##### 17.6.3.1 Smooth Ceiling

**17.6.3.1.1\*** Spacing. One of the following requirements shall apply:

(1) The distance between detectors shall not exceed their listed spacing and there shall be detectors within a distance of one-half the listed spacing, measured at right angles from all walls or partitions extending upward to within the top 15 percent of the ceiling height.

(2) All points on the ceiling shall have a detector within a distance equal to of less than 0.7 times the listed spacing (0.7S).

**17.6.3.1.3.1\*** Unless otherwise modified by 17.6.3.2.2, 17.6.3.3.2, or 17.6.3.7, spot-type heat-sensing fire detectors shall be located on the ceiling not less than 4 in. (100 mm) from the sidewall or on the sidewalls between 4in and 12 in. (100 and 300 mm) from the ceiling.

##### 17.6.3.3. Beam Construction

###### 17.6.3.3.1 Spacing

**17.6.3.3.1.1** A ceiling shall be treated as a smooth ceiling if the beams project no more than 4 in ( 100 mm ) below the ceiling.

**17.6.3.3.1.2** Where the beam project more than 4 in. ( 100 mm ) below the ceiling, the spacing, the spacing of spot-type heat detectors at right angles to the direction of beam travels shall be not more than two thirds of the listed spacing.

**17.6.3.3.1.3** Where the beams project more than 18 in. ( 460 mm ) and are not more than 96 in ( 2.44 m ) on center each bay formed by the beams shall be treated as a separate area.

**17.6.3.3.2 Location.** Where the beams are less than 12 in. ( 300 m ) in depth and less that 96 in ( 2.44 m ) on center, detectors shall be permitted to be installed on the bottoms of beams.

**17.6.3.4\* Sloping Ceilings (Peaked and Shed).**

**17.6.3.4.1 Spacing.**

**17.6.3.4.1.1 Ceiling Slope Less Than 30 Degrees.** For a ceiling slope of less than 30 degrees, all detectors shall be spaced using the height at the peak.

**17.6.3.4.1.3** Spacing shall be measured along a horizontal projection of the ceiling in accordance with the type of ceiling construction.

**17.6.3.4.2 Location.**

**17.6.3.4.2.1** A row of detector shall first be located at or within 36 in. ( 910 mm ) of the peak of the ceiling.

**17.6.3.4.2.2** Additional detectors shall be located as determined in 17.6.3.4.1.

**17.6.3.5 High Ceilings.**

**17.6.3.5.1\*** On ceilings 10 ft to 30 ft ( 3.0 m to 9.1 m ) high, heat detector spacing shall be reduced in accordance with Table 17.6.3.5.1 prior to any additional reductions for beams, joists, or slope, where applicable.

*Exception: Table 17.6.3.5.1 shall not apply to the follow detectors, which rely on the integration effect:*

*(1) Line-Type electrical conductivity detectors (see 3.3.66.11)*

*In these cases, the manufacturer's published instructions shall be followed for appropriate alarm point and spacing.*

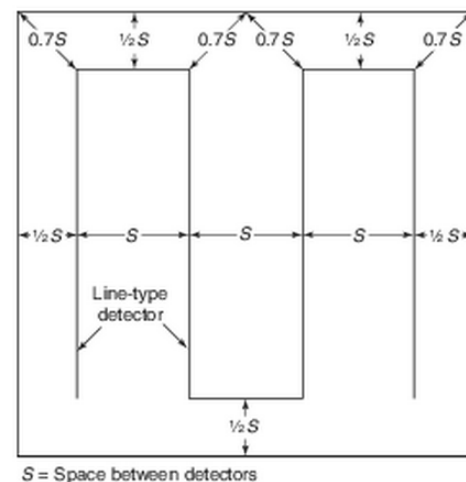
**Table 17.6.3.5.1 Heat Detector Spacing Reduction Based on Ceiling Height**

Ceiling Height Greater than (>)		Up to and Including		Multiply Listed Spacing by
ft	m	ft	m	
0	0	10	3.0	1.00
10	3.0	12	3.7	0.91
12	3.7	14	4.3	0.84
14	4.3	16	4.9	0.77
16	4.9	18	5.5	0.71
18	5.5	20	6.1	0.64
20	6.1	22	6.7	0.58
22	6.7	24	7.3	0.52
24	7.3	26	7.9	0.46
26	7.9	28	8.5	0.40
28	8.5	30	9.1	0.34

**17.6.3.5.2\* Spacing Minimum.** The minimum spacing of heat detectors shall not be required to be less than 0.4 times the height of the ceiling.

**Annex A Explanatory Material.**

**FIGURE A 17.6.3.1.1 (b) Line-Type Detector - Spacing Layouts, Smooth Ceiling.**



**FIGURE A. 17.6.3.1.1(b) Line-Type Detectors — Spacing Layouts, Smooth Ceiling.**

Reproduced with permission from NFPA 72®-2013, National Fire Alarm and Signaling Code, Copyright © 2012, National Fire Protection, Quincy, MA. This reprinted material is not the complete and official position of the NFPA on the referenced subject, which is represented only by the standard in its entirety.

NFPA 72® is a registered trademark of the National Fire Protection Association, Quincy, MA.

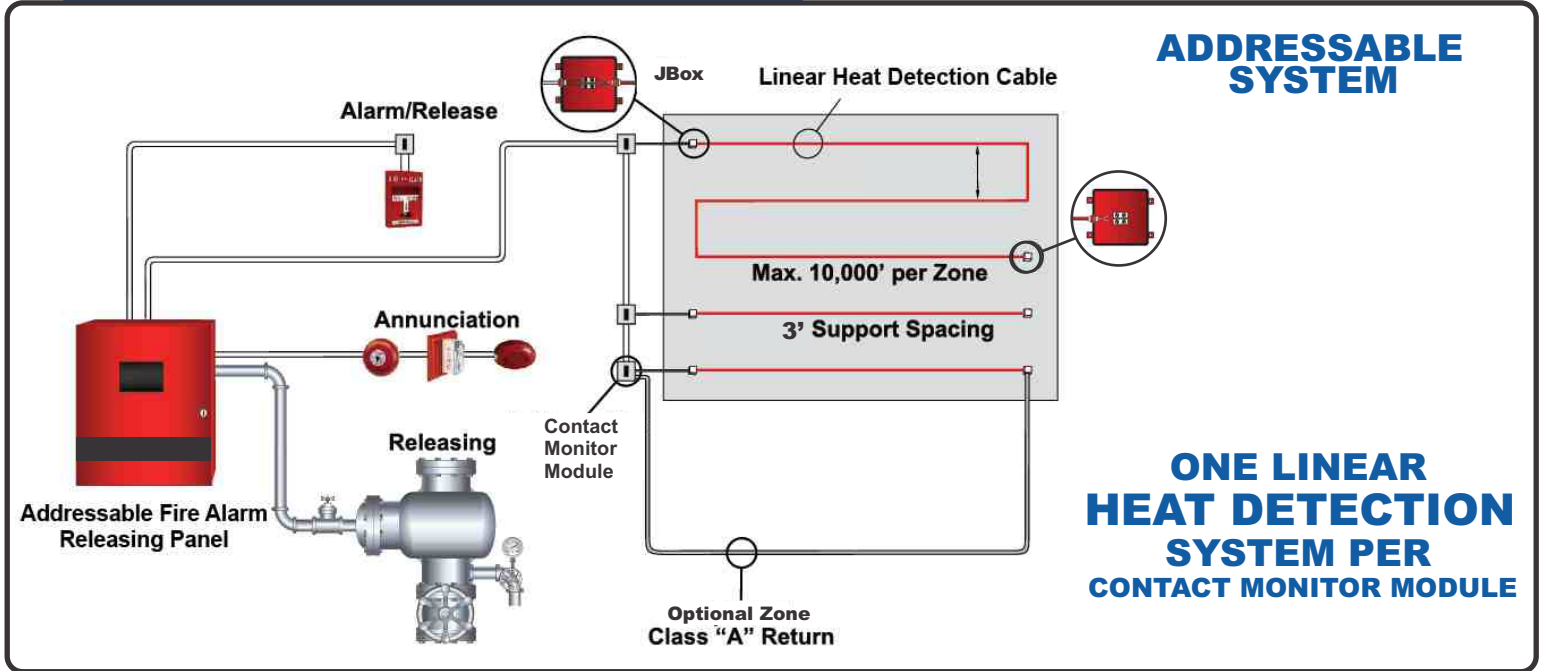


**National Fire Protection Association**  
The authority on fire, electrical and building safety

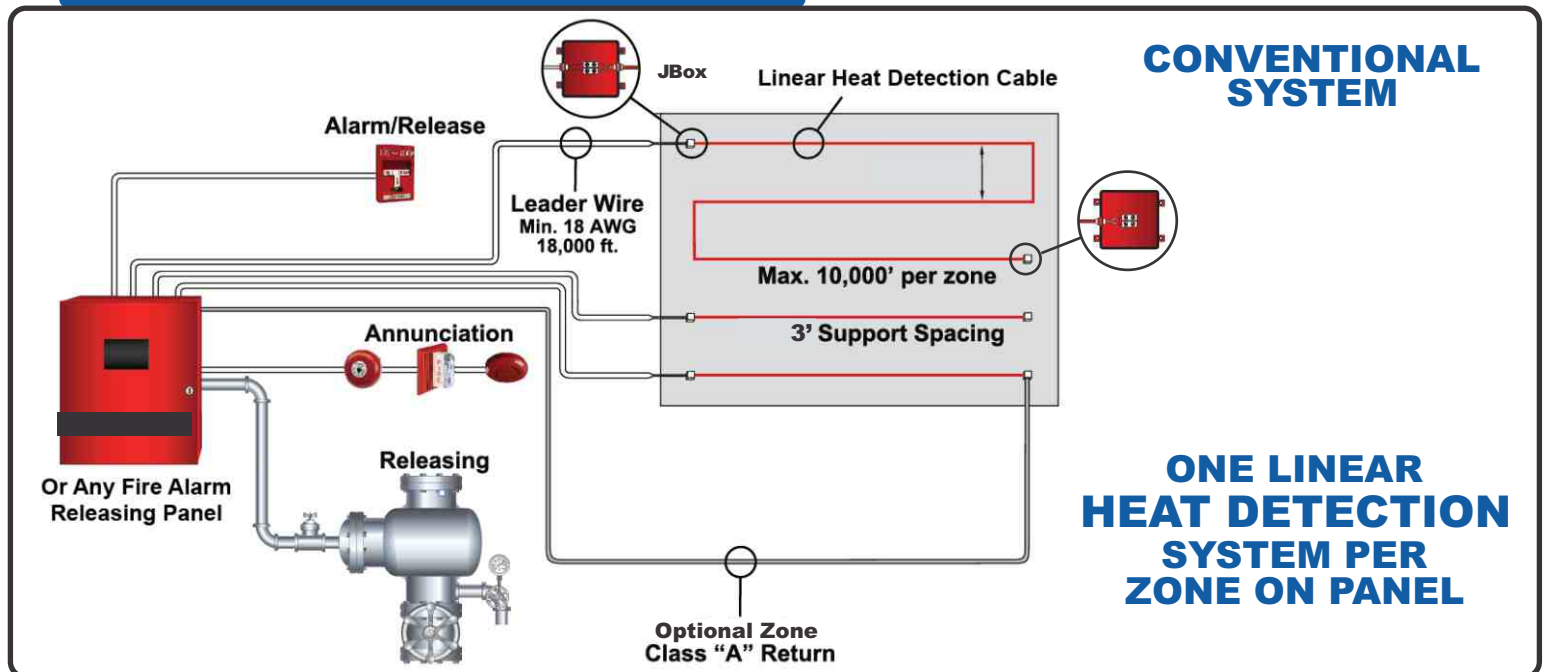
## Examples



### ADDRESSABLE SYSTEM



### CONVENTIONAL SYSTEM

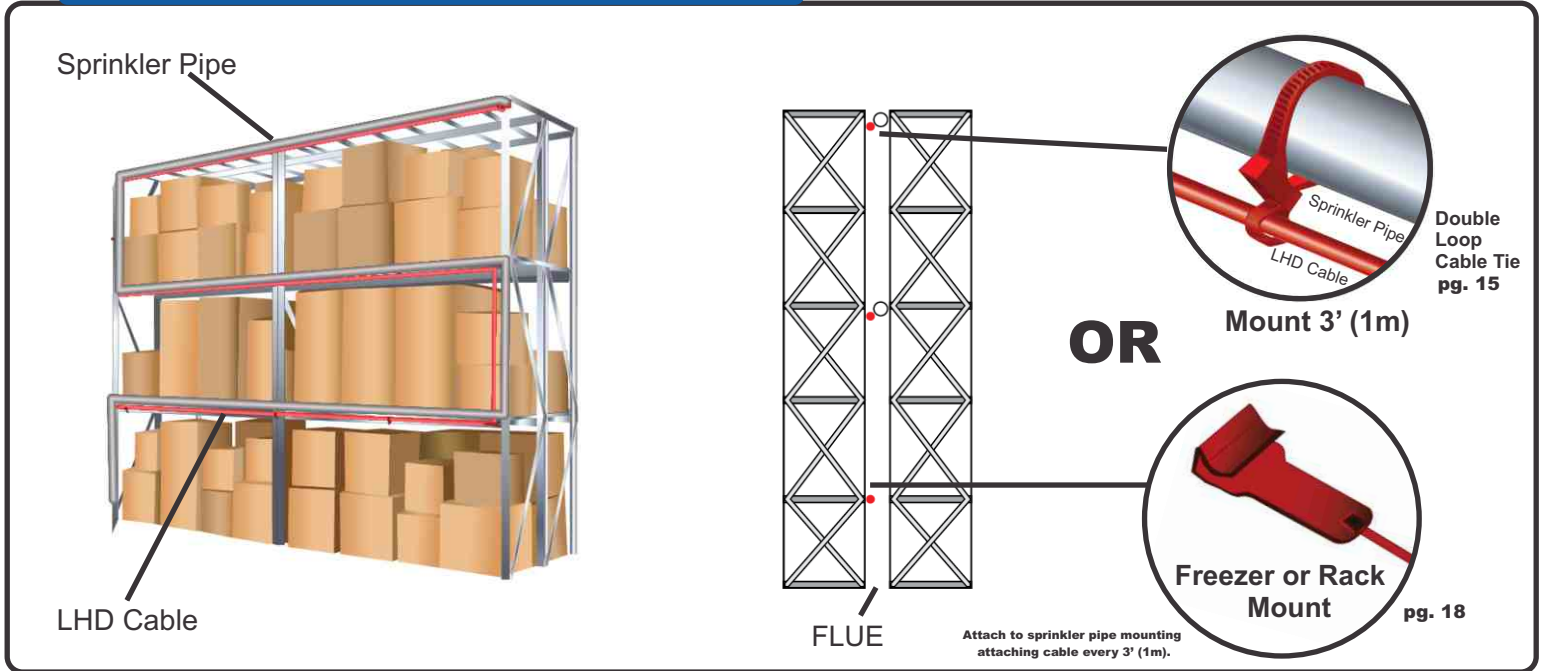




# Examples



## RACK STORAGE



## CONVEYORS

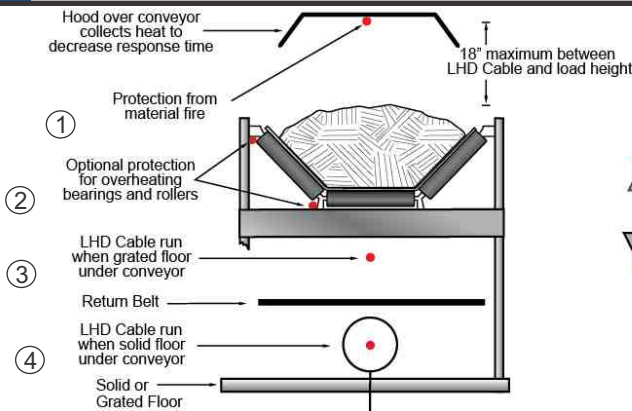
**RedGear®**  
Made In America

**RedGear®**  
Guidewire/Messenger Wire  
Support Supplies

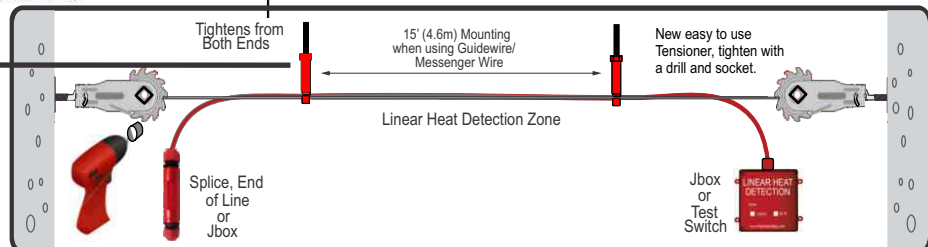
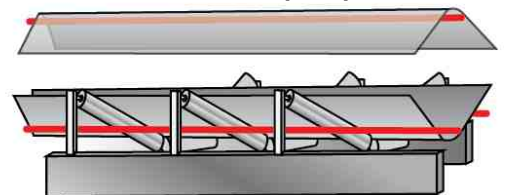
There are **four** areas you could use linear heat detection to protect a conveyor from different fire scenarios



pg. 39



Mount 3' (1m)



POWER GENERATION

COOLING TOWERS

# Examples



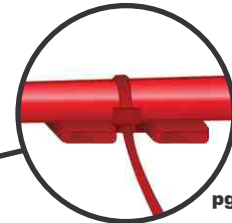
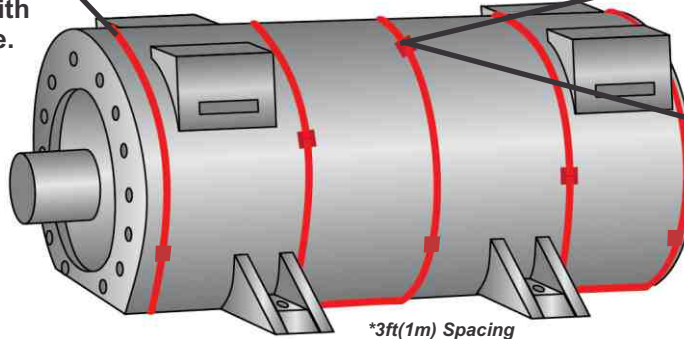
## GENERATORS



pg. 20

Can be mounted with screw or adhesive.

**RedGear**<sup>®</sup>  
 Universal Surface Mount  
 with built in Cable Tie  
**Fire Resistant**



pg. 20

Mount every 3'(1m) and at every change with direction

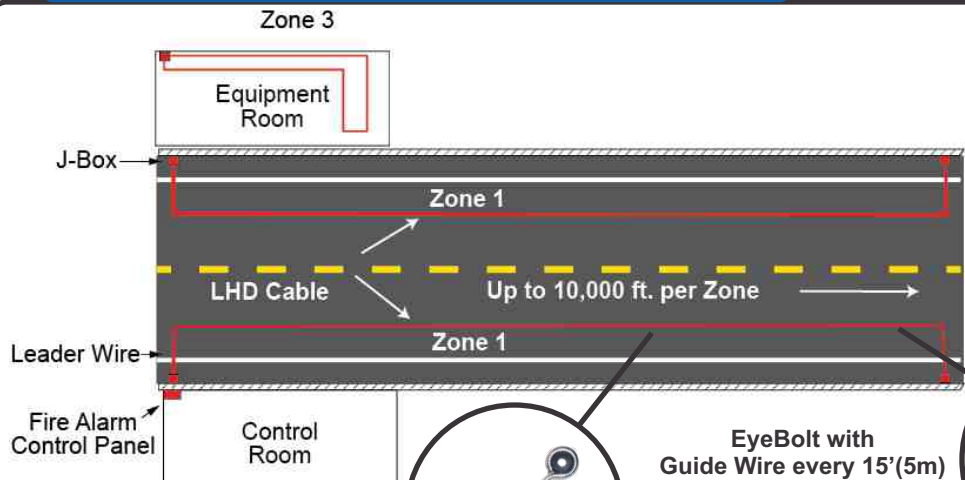


pg. 20

Surface Adhesive

## TUNNELS

**RedGear**<sup>®</sup>  
 Made In America



**CABLE CLIP TIE**



pg. 24

Eye Bolt with Guide Wire every 15'(5m)  
**OR**  
 Cable Clip Ties every 3'(1m).



pg. 16

**RedGear**<sup>®</sup>  
 Cable Clip Tie  
 One Piece Cable Clip, All in one Design.  
**Fire Resistant**

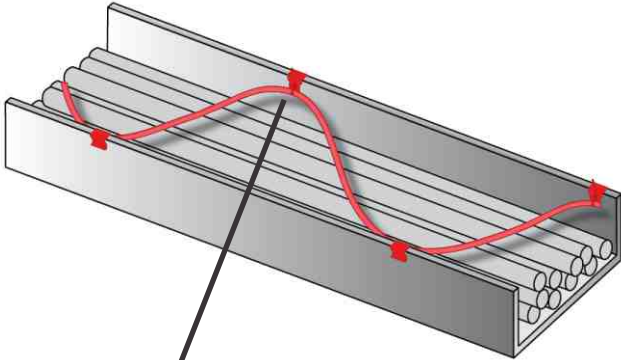
■ BRIDGES

■ PARKING GARAGES

## Examples



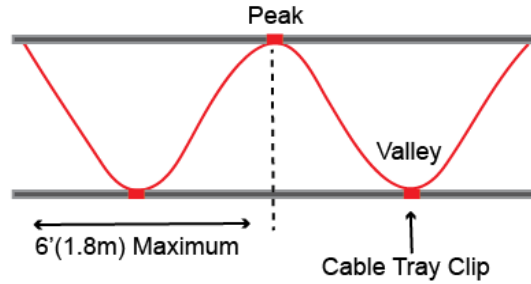
### CABLE TRAYS



**RedGear®**

**Cable Tray Clip**  
One Piece with built-in Cable tie  
**Fire Resistant**

pg. 19



*Cable Tray Length divided by Width Coefficient = Total Length of LHD Cable*

*Determine the number of clips you need by dividing the length of the cable tray by 3, then add 1.*

Cable Tray Width	Width Coefficient
1'6" (.5m)	.87
2' (.6m)	.78
3' (.9m)	.65
4' (1.2m)	.57

Sine Wave Calculation for Cable Tray to determine amount of cable required

### FLOATING ROOF TOP TANKS

**RedGear®**  
Made In America

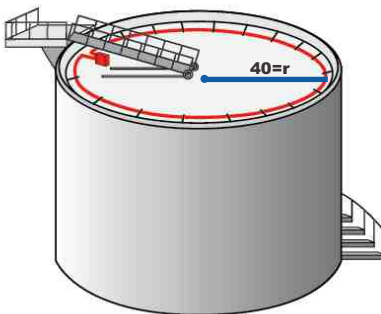
To Determine Cable Amount:

$$2\pi r$$

$$2 \times 3.14 \times r = C$$

r=Radius C=Circumference

Ex. ( 2 x 3.14 x 40 =252ft of cable )



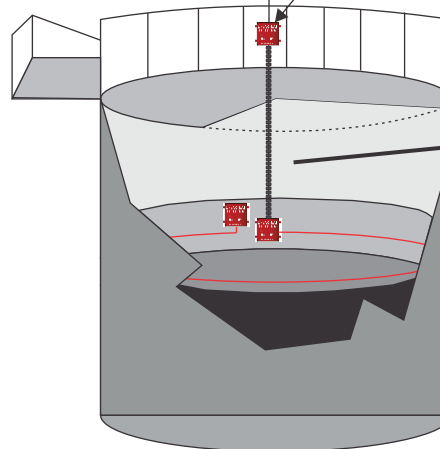
FACP



ISB



J-Box



Recoiling Leader Cable

pg. 24

RAILWAYS

OIL STORAGE



# RedGear®

## Linear Heat Detection Installation Supplies

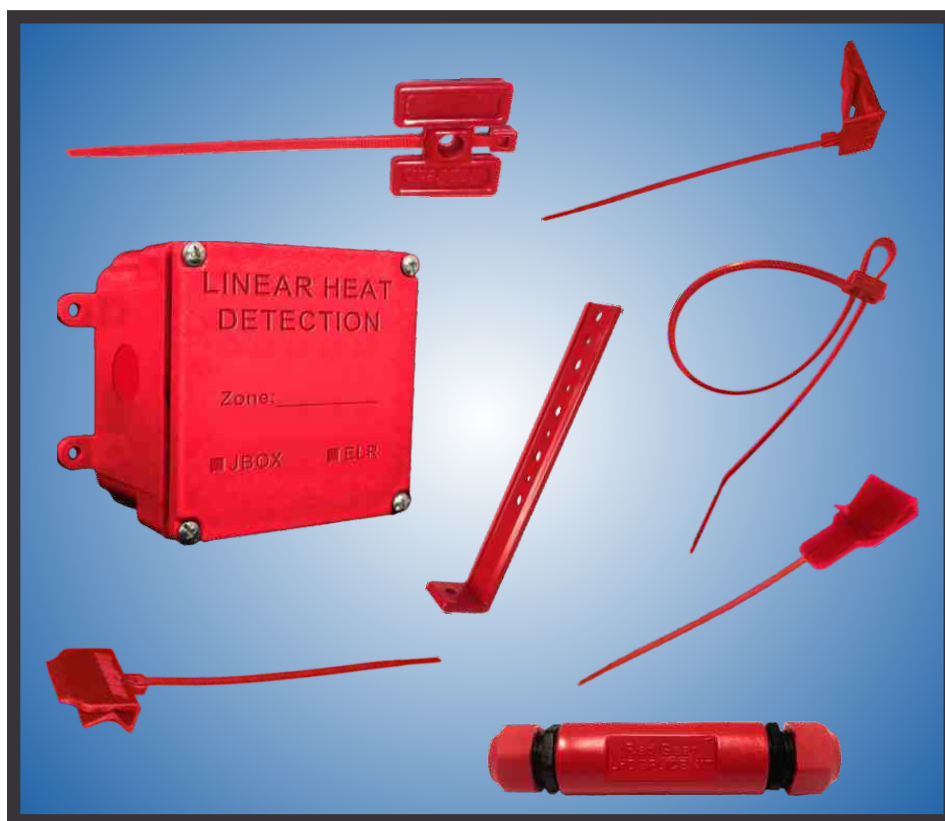


MADE IN THE USA

Compatible with all Linear Heat Detection Systems

### FEATURES

- UL Listed
- Fire Resistant
- Direct from Manufacturer
- Easier to Install
- Higher Quality
- New "All in One" Designs



# Meets **NFPA** Standards

## J-BOXES

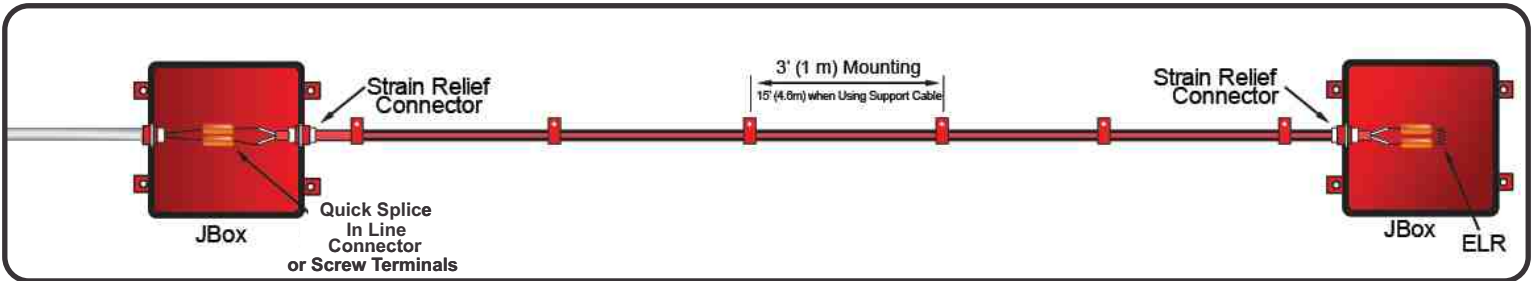
No more Hole Saws Needed  
New **EZ Knockouts**

### Text Imprinted Covers

**NO MORE DRILLING**

NOTE: Text on product is not White

Spaces on cover to mark if the box is the J-Box or end of line



### EASY TO USE:

### NO MORE HOLE SAWS

NOTE: Text on product is not White

### NEW EZ KNOCKOUTS

**NO HOLE SAWS REQUIRED**

**NEMA 4 (IP66)**  
**NEMA 6P (IP68)**  
**NEMA 4X (IP67)**

### ACCESSORIES

### JBOX/EOL Box

**RedGear® Strain Relief Connectors**  
Nylon Part #: RG1110

**Strain Relief Connectors**  
Zinc Part#: RS7030

**Connectors**  
For Cable splices and connections in J/ELR-Boxes and HDJ/ELR-Boxes.  
A. Screw Terminal Part #: RS7072  
B. Screw Terminal Part#: RS7041  
C. Screw Terminal Part #: RS7047  
D. Quick Splice In-Line Connector Part #: RG1127

**FIRE RESISTANT**  
Nylon 6.6  
½" Strain relief connector is designed to secure wire entering or exiting a JBox.

½" strain relief connector is designed to secure wire entering or exiting a JBox.

NOTE: Used in both RedGear and Standard JBoxes

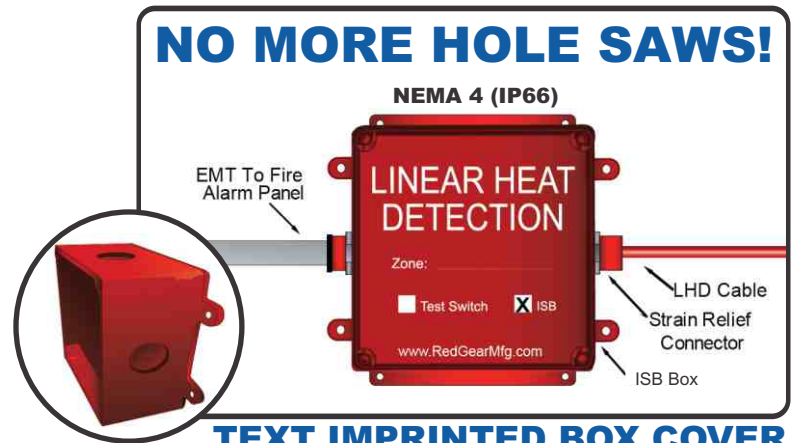
**RedGear® JBox Part #: RG5222**  
**FIRE RESISTANT & EZ KNOCKOUTS**  
Dim.: 4" x 4" x 2" (10cm x 10cm x 5cm)  
Easy to use JBox requires Screw Terminal or in line connectors and Strain Relief Connectors for installation. Has ½" and ¾" knockouts. Use at the beginning and end of line of LHD systems.

**RedGear® JBox Part #: RG5222**

## ISB MODULE

Pre-assembled Intrinsic Safety Barriers for use with LHD, fire alarm, flame detectors, and system in hazardous areas

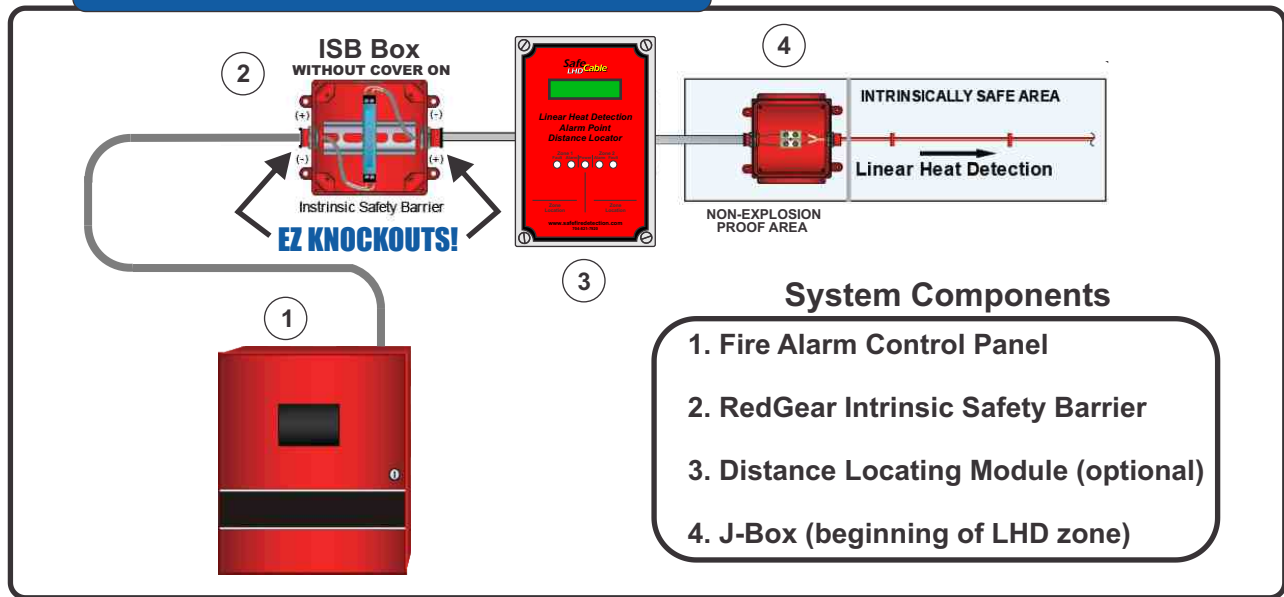
### NO MORE HOLE SAWS!



### TEXT IMPRINTED BOX COVER

NOTE: Text on product is not White

### ISB SYSTEM EXAMPLE



#### System Components

1. Fire Alarm Control Panel
2. RedGear Intrinsic Safety Barrier
3. Distance Locating Module (optional)
4. J-Box (beginning of LHD zone)

### REPLACEMENT SAFETY BARRIERS

#### ADDRESSABLE



Standard Intrinsic Safety Barrier

Addressable Part #: RS7124

#### CONVENTIONAL



Standard Intrinsic Safety Barrier

Conventional Part #: RS7122

For Explosive Hazard applications  
1 per zone 35mm DIN rail mounting  
Requires enclosure, and DIN rail, not included.

For Explosive Hazard applications  
1 per zone 35mm DIN rail mounting  
Requires enclosure, and DIN rail, not included.

**Note:** Intrinsic Safety Barriers are non-restorable. Once activated the Barrier will need to be replaced

### PRE-ASSEMBLED INTRINSIC SAFETY BARRIER

#### CONVENTIONAL



RedGear Conventional Intrinsic Safety Barrier  
Part #: RG5224

#### Fire Resistant

**NEMA 4 (IP66)**  
Includes ISB and DIN rail.  
Ready to Use.  
For Explosive Hazard applications;  
1 per zone.  
Dim.: 4 5/8" x 4 5/8" x 4 1/8" (11.74cm x 11.74cm x 10.47 cm)

#### ADDRESSABLE



RedGear Addressable Intrinsic Safety Barrier  
Part #: RG5225

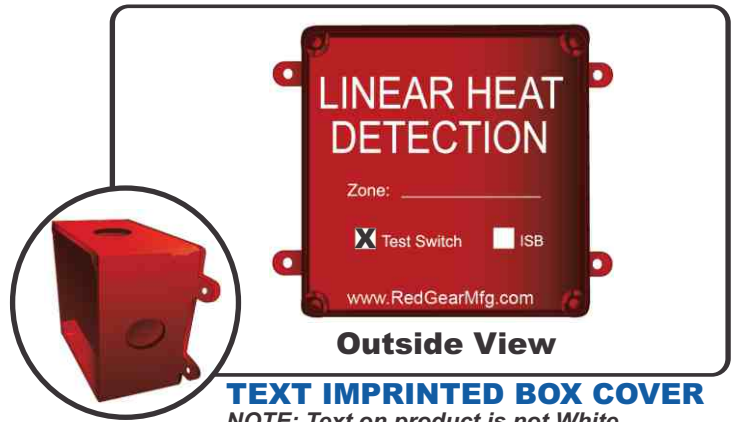
#### Fire Resistant

**NEMA 4 (IP66)**  
Includes ISB and DIN rail.  
Ready to Use.  
For Explosive Hazard applications;  
1 per zone.  
Dim.: 4 5/8" x 4 5/8" x 4 1/8" (11.74cm x 11.74cm x 10.47 cm)

# TEST SWITCH

New easy to use test switch, no more complicated hard wired boxes  
Now just flick of a switch

**New EZ Knockouts**

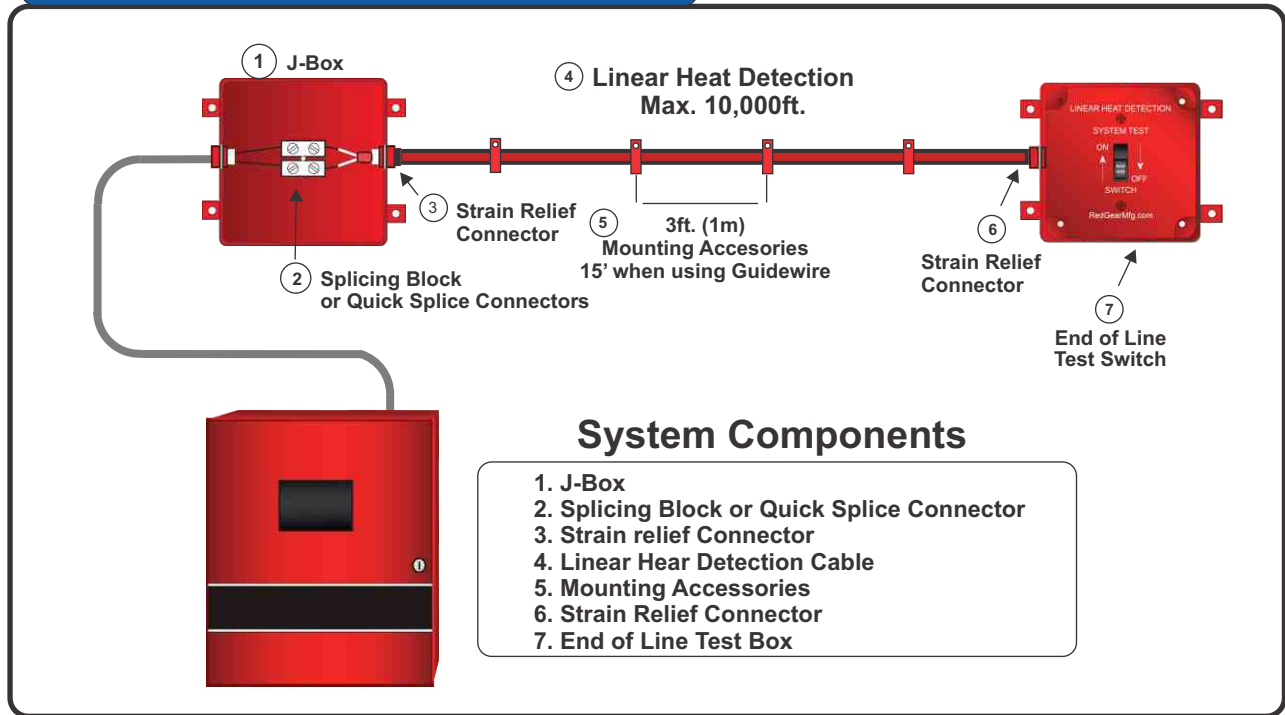


**Outside View**

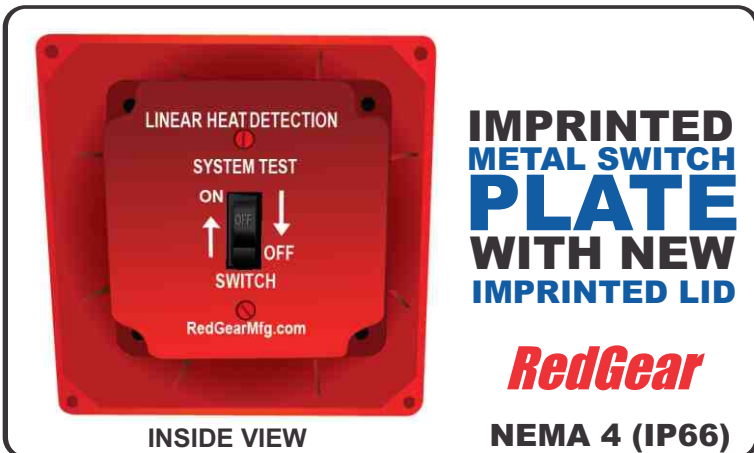
**TEXT IMPRINTED BOX COVER**

NOTE: Text on product is not White

## LHD SYSTEM EXAMPLE



## NEW EZ To Use Test Switch



## END OF LINE TEST SWITCH



**RedGear HD/ELR-Test Switch**

Part #: RG5223

**FIRE RESISTANT & EZ KNOCKOUTS**

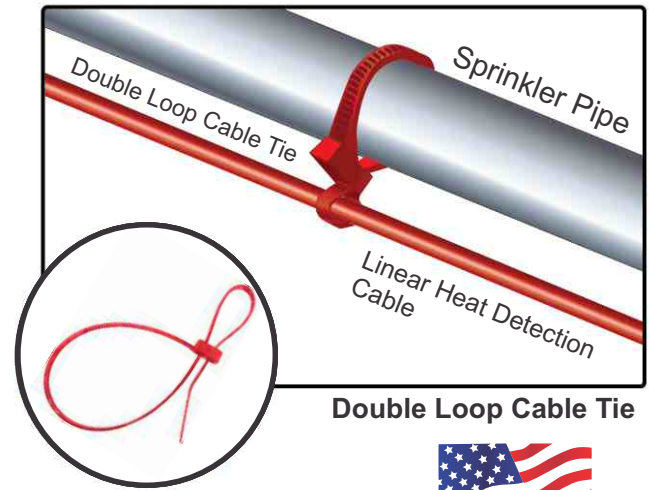
Easy to use, Test switch has 1/2" and 3/4" knockouts. Test Switches are placed at the end of a LHD run and are used for commissioning, system inspections, and testing of the system. Used at the end of an LHD system instead of a J/ELR-box.

Dim.: 4 5/8" x 4 5/8" x 4 1/8" (11.74cm x 11.74cm x 10.47 cm)

# CABLE TIES

New **RED** nylon 6.6 fire resistant cable ties; multiple sizes for use with pre-action sprinkler systems and other applications

**Higher Quality ■ Lower Cost**



**UNIVERSAL SMALL SINGLE LOOP TIE**

**RedGear® Small Single Loop Cable Ties**

Part #: RG1114C 100/pk

Part #: RG1114M 1000/pk



**Fire Resistant** Nylon 6.6  
Used to fasten LHD Cable to a Surface Mount Part#: RS7054C or a Large Single Loop Cable Tie Part#:RS7064L For cold and warm environments. Rated from -100°F to 392°F(-73°C to 200°C). Length: 5 1/5" (13.21 cm)

**PRE ACTION SPRINKLER PIPE DOUBLE LOOP**

**RedGear® Pre Action Double Loop Cable Ties**

Part #: RG1112C 100/pk

Part #: RG1112M 1000/pk

**3/4" - 2"**



**Fire Resistant** Nylon 6.6  
Very durable, highly reliable cable ties, use to mount LHD cable on Pre-Action Sprinkler Systems Fits 3/4"-2" (2cm-5cm) Pipe. For cold and warm environments. Rated from -100°F to 392°F(-73°C to 200°C).

**UNIVERSAL LARGE SINGLE LOOP TIE**

**Standard Extra Large Single Loop Cable Ties**

Part #: RS7064L 50/pk



Nylon  
Fits 4" to 6" (10cm - 15cm) pipe Fasten cable to a small Single Loop Tie Part#: RG1114C or RG1114M. For cold and warm environments. Rated from -7°F to 185°F(-60°C to 85°C). Length: 24 3/4" (62.87 cm)

**Note:** RS7064L is black in color

**PRE ACTION SPRINKLER PIPE DOUBLE LOOP**

**RedGear® Pre Action Double Loop Cable Ties**

Part #: RG1113C 100/pk

Part #: RG1113M 1000/pk

**2 1/2" - 3 1/2"**



**Fire Resistant** Nylon 6.6  
Fits 2 1/2" - 3 1/2" (6cm - 8.9cm) Pipe  
Very durable, highly reliable cable ties use for cable ties, to mount LHD cable on Pre-Action Sprinkler Systems. For cold and warm environments. Rated from -100°F to 392°F(-73°C to 200°C). Length: 14 7/8" (37.78 cm)



## New **UNIVERSAL CABLE CLIP-TIE**

For use in all applications,

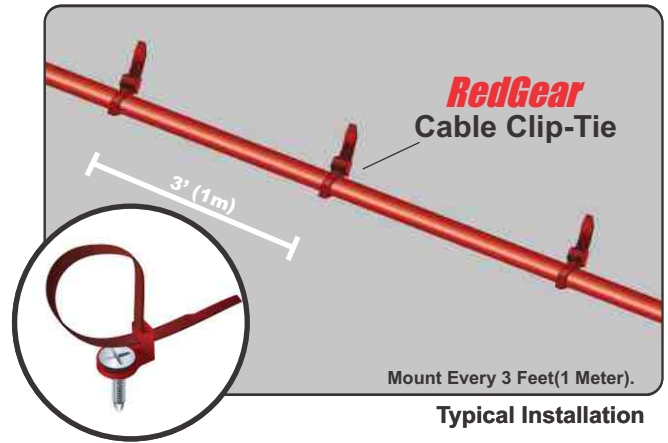
**No More Need to Buy Multiple Parts**

### 1 Piece Cable Clip-Tie

**LESS LABOR TIME AND COST**



**ONE SIZE FITS ALL**



### NEW 2 IN 1 MOUNTING CLIP

**Cable Clip and Cable Tie All In One!**

**FIRE RESISTANT**



**No More Need to Buy Multiple Parts!**

### OLD STYLE CABLE CLIPS

#### Standard Cable Clip

Black Nylon 6.6 rated from -7°F to 185°F (-60°C to 85°C) 3/16" (4.8mm) mounting hole. Cable clips may be used for ceiling or wall mount applications, as well as at corners.

Part #: RS7049C 100/pk

Part #: RS7049M 1000/pk

#### Metal Cable Clip

Zinc plated steel cable clip. 1/4" (6.4mm) mounting hole. For all temperatures.

Part #: RS7050C 100/pk

#### Standard Push Pin

Black Nylon 6.6 rated from -7°F to 185°F (-60°C to 85°C) 3/16" Secures cable clip to Beam Clamps, Cable Tray Mounting Clips and L-Brackets through 3/16" mounting hole.

Part #: RS7070 25/pk

### 2 IN 1 CABLE CLIP-TIE

#### RedGear Cable Clip-Tie

**Fire Resistant** Nylon 6.6 Rated from -100°F to 392°F (-73°C to 200°C). 3/16" (4.8mm) mounting hole. Used for most ceiling or wall mount applications.

Part #: RG1116C 100/pk

Part #: RG1116M 1000/pk

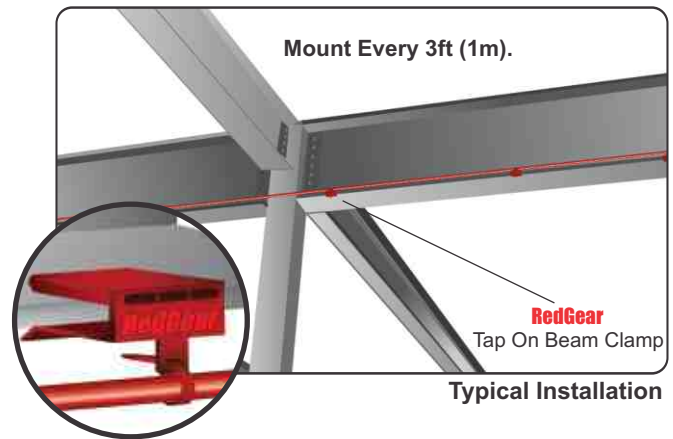


**RedGear®**

# BEAM CLAMPS

The first tap on beam clamp that does the job of three parts

**Built-in Cable Tie**



## Now 1 Part Does The Work of 3

**LESS  
LABOR  
TIME  
AND  
COST**



### OLD STYLE BEAM CLAMPS

(Note: Requires Cable Clip and Push Pin)

**Standard Beam  
Clamp Zinc  
Plated Steel**

For material thickness  
up to 7/8" (22.2mm.)

Part #: RS7052L 50/pk

**Standard Beam  
Clamp Spring  
Steel**

For material thickness  
up to 1/2" (12.7mm.)

Part #: RS7051C 100/pk

**Standard Hammer  
on Beam Clamp**

Part #: RS7060C (1/8"-1/4") 100/pk

Spring Steel  
1/8" to 1/4" (3.2 - 6.4mm) material thickness  
5/16" to 1/2" (7.9 - 12.7mm) material thickness

Part #: RS7061C (5/16"-1/2") 100/pk

### NEW 3 IN 1 BEAM CLAMP



**RedGear Beam Clamp (with Built-in Cable Tie)**

**Fire Resistant** Nylon 6.6

Combines a beam clamp and cable tie all in one for easy use. Rated from -100°F to 392°F (-73°C to 200°C).

Size: 1/4", 5/16", 3/8"  
Part #: RG1117L 50/pk

Size: 7/16", 1/2"  
Part #: RG1118L 50/pk

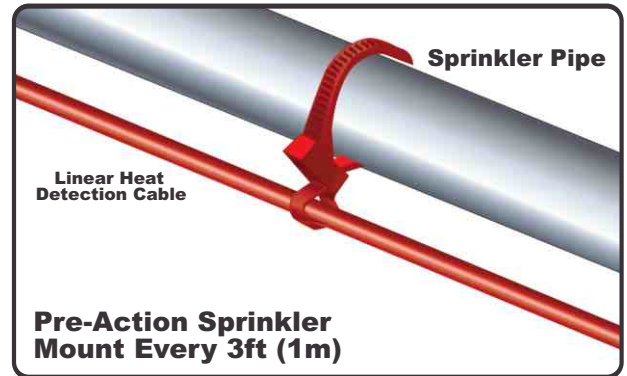
Part #: RG1117C 100/pk

Part #: RG1118C 100/pk

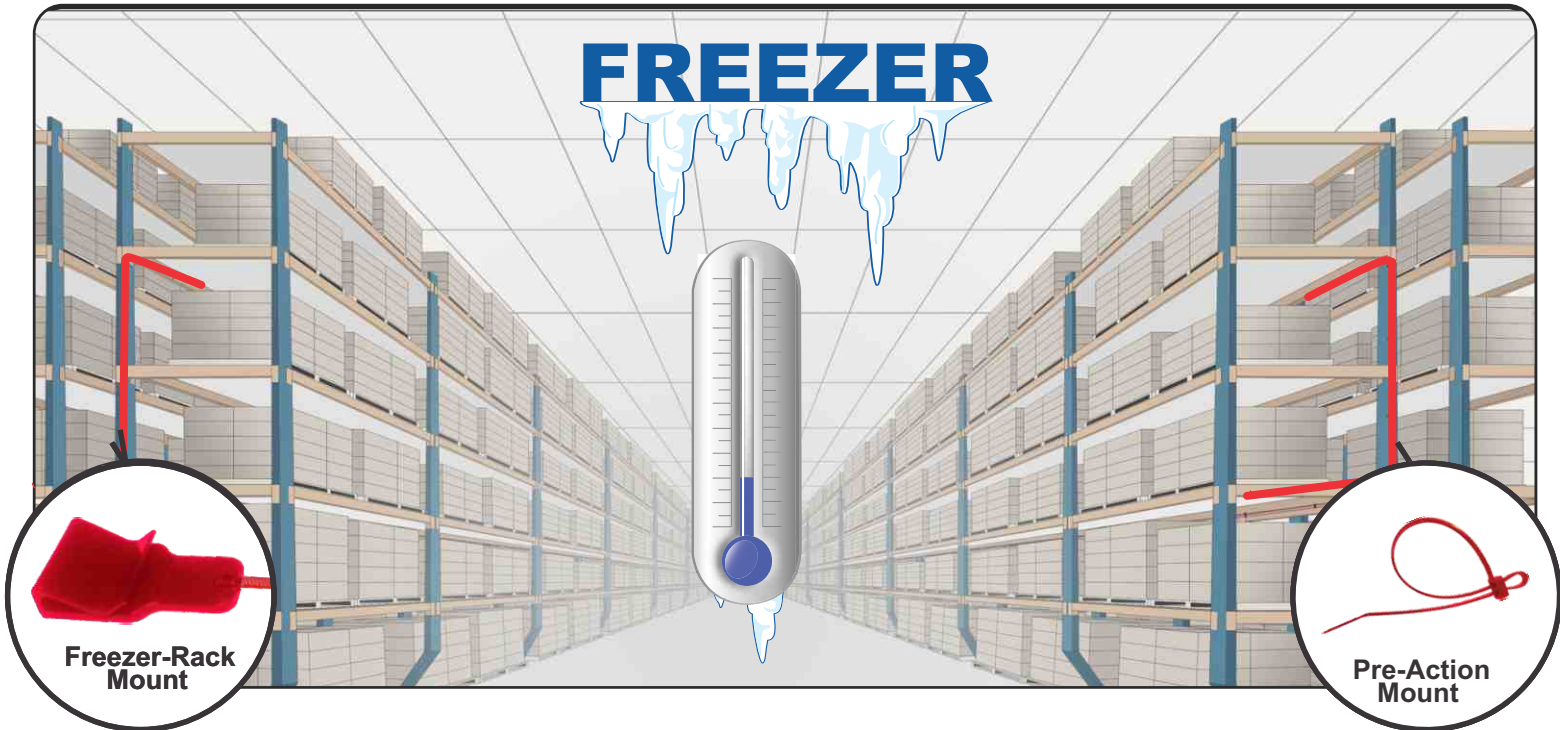
## FREEZER MOUNTS

New push on rack mount with built-in cable tie and double loop pre-action sprinkler pipe cable ties

**Reduce Installation Time**



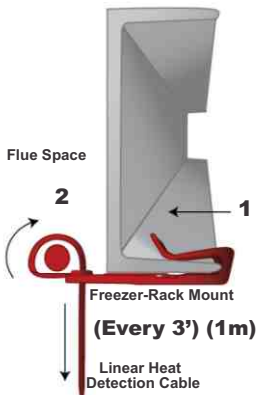
## FREEZER



### FREEZER RACK MOUNTS

#### 3" C Channel Rack Mount:

- 1 Push mount on rack.
- 2 Secure Linear heat detection cable with built-in cable tie.



#### RedGear Freezer-Rack Mount

**Fire Resistant** Nylon 6.6  
Very Durable, cold resistant mount for use in freezers. Mount on C channel in the back of flue space as shown. Rated from -100°F to 392°F (-73°C to 200°C).

Part #: RG1128C 100/pk

Part #: RG1128M 1000/pk

### FREEZER PREACTION MOUNTS



#### RedGear Pre Action Double Loop Cable Ties

**Fire Resistant** Nylon 6.6  
Very durable, highly reliable cable ties, use to mount LHD cable on Pre-Action Sprinkler Systems  
Fits 3/4"-2" (2cm-5cm) Pipe.  
For cold and warm environments. Rated from -100°F to 392°F (-73°C to 200°C).  
Length: 11 7/8" (30.16cm)

Part #: RG1112C 100/pk

Part #: RG1112M 1000/pk



#### RedGear Pre Action Double Loop Cable Ties

**Fire Resistant** Nylon 6.6  
Fits 2 1/2" - 3 1/2" (6cm - 8.9cm) Pipe  
Very durable, highly reliable cable ties use for cable ties, to mount LHD cable on Pre-Action Sprinkler Systems. For cold and warm environments. Rated from -100°F to 392°F (-73°C to 200°C).  
Length: 14 7/8" (37.78 cm)

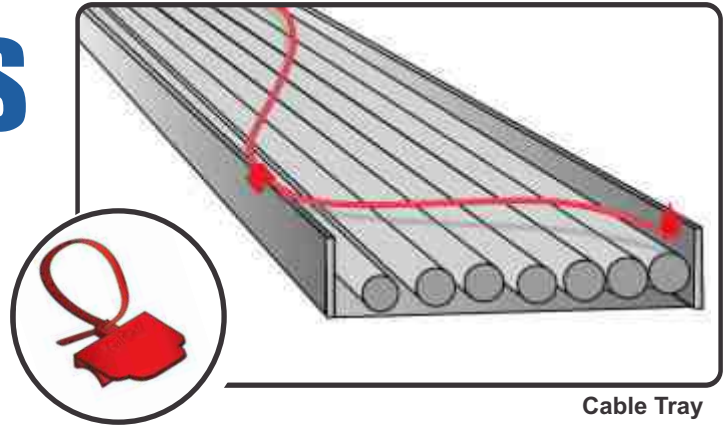
Part #: RG1113C 100/pk

Part #: RG1113M 1000/pk

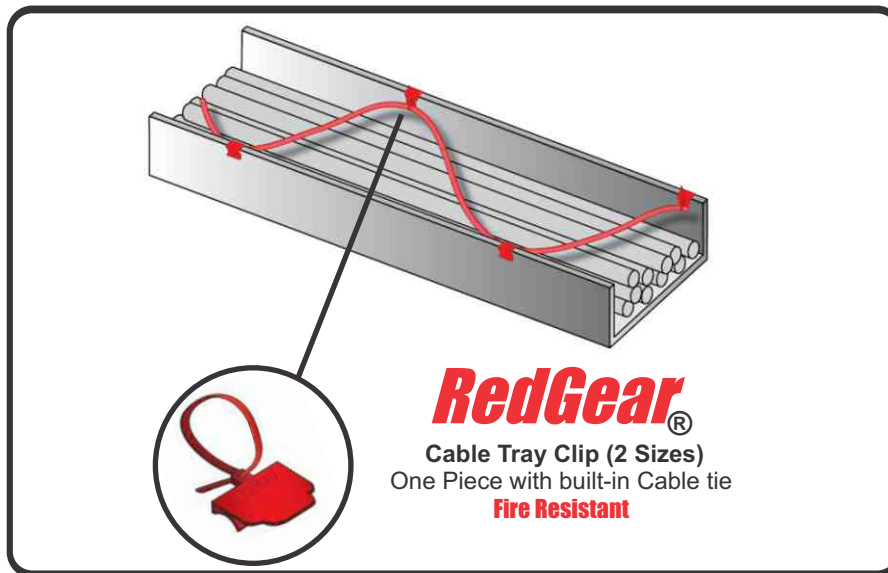
## CABLE TRAY CLIPS

New all in one clip does the job of what used to take three parts

**One Part Does it All**



Cable Tray

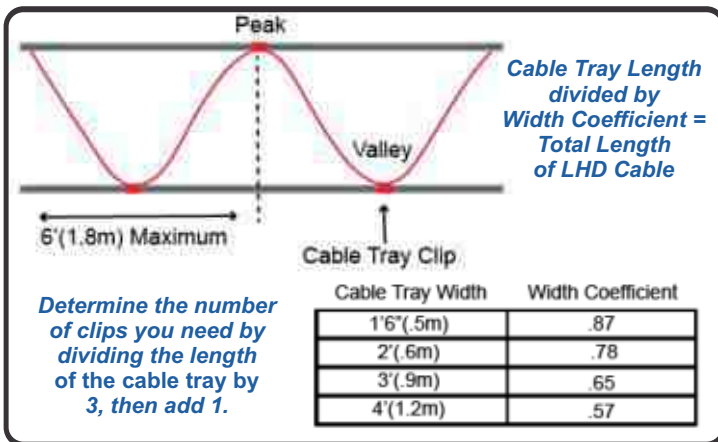


**RedGear®**  
 Cable Tray Clip (2 Sizes)  
 One Piece with built-in Cable tie  
**Fire Resistant**

Deep Cable Tray Clip

**Don't Buy Three Parts When You Only Need One!**

### HOW TO MOUNT CABLE TRAY CLIPS



Sine Wave Calculation for Cable Tray

### CABLE TRAY CLIP



**RedGear Cable Tray Clip**

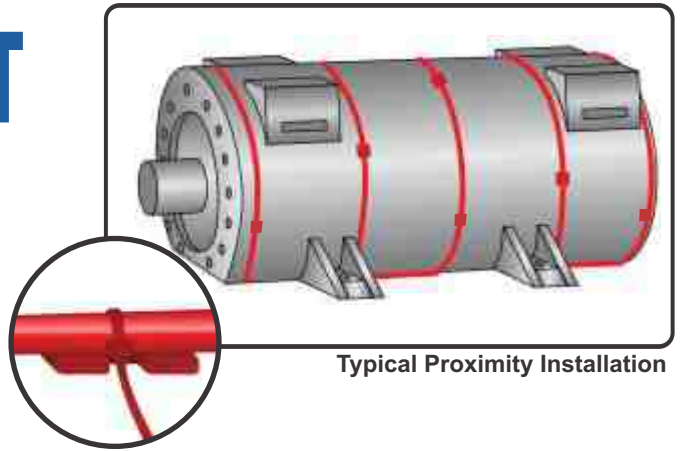
**Fire Resistant** Nylon 6.6  
 Used in cable trays to mount LHD cable. Rated from -100°F to 392°F (-73°C to 200°C).

**Cable Tray**  
 Size: 1/16"-1/4" (1.6 - 4mm)  
 Part #: RG1120C 100/pk

Part #: RG1120M 1000/pk

# UNIVERSAL MOUNT

*Surface, ceiling, racks, cabinets, walls, for use in all applications almost anywhere*



Typical Proximity Installation

## SURFACE MOUNT & CABLE TIE IN ONE

**LESS  
LABOR  
TIME  
AND  
COST**



Universal Mount

Linear Heat Detection Cable

Built-in  
Cable Tie

### NEW 2 IN 1 UNIVERSAL MOUNT

## FIRE RESISTANT

One Size Fits All LHD Cables



**No More Need to Buy Multiple Parts!**

### SURFACE MOUNT ADHESIVE



#### Standard Surface Mount Adhesive

For securing Mount to surface. Used with RedGear Surface Mounts to adhere to surface that cannot be drilled into.

Part #: RS7056

### 2 IN 1 SURFACE MOUNT



#### RedGear Universal Mount with Cable Tie

##### Fire Resistant

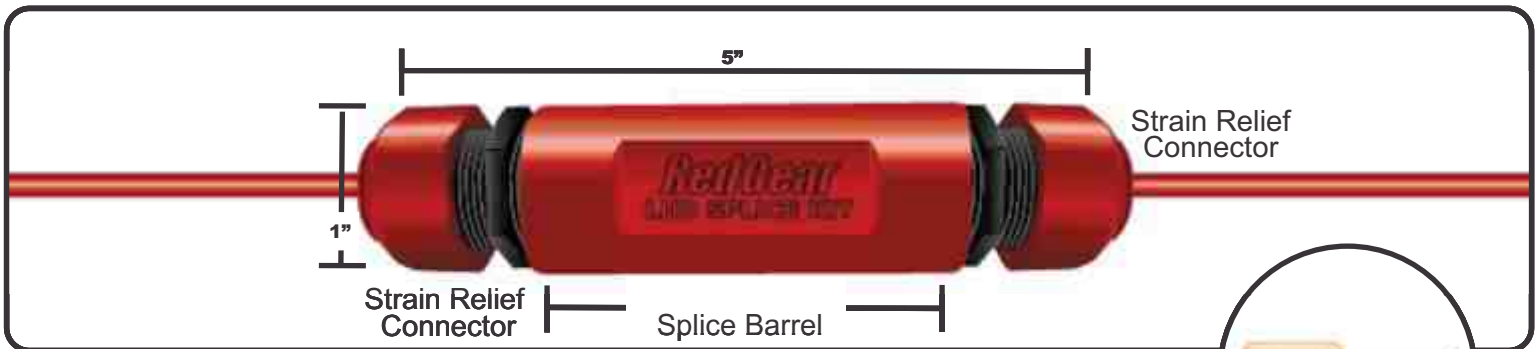
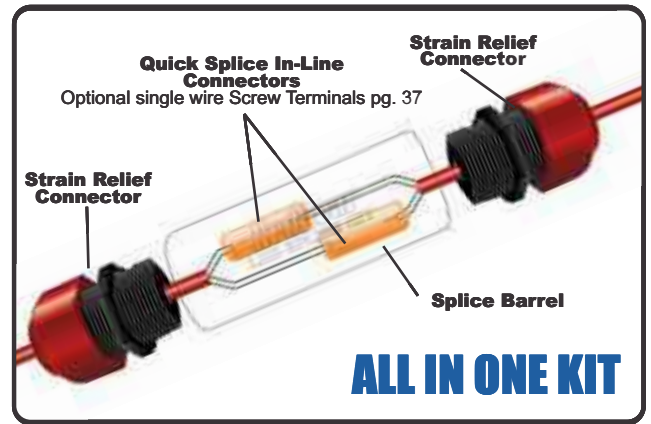
Use with Surface Mount Adhesive or screws and bolts when drilling into mounting surface.  
Temperature: Rated from -100°F to 392°F (-73°C to 200°C).

Part #: RG1123C 100/pk

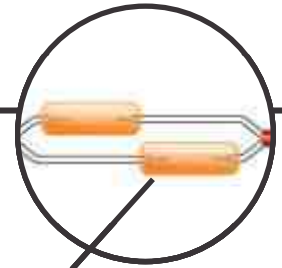
Part #: RG1123M 1000/pk

## RedGear® SPLICE KIT

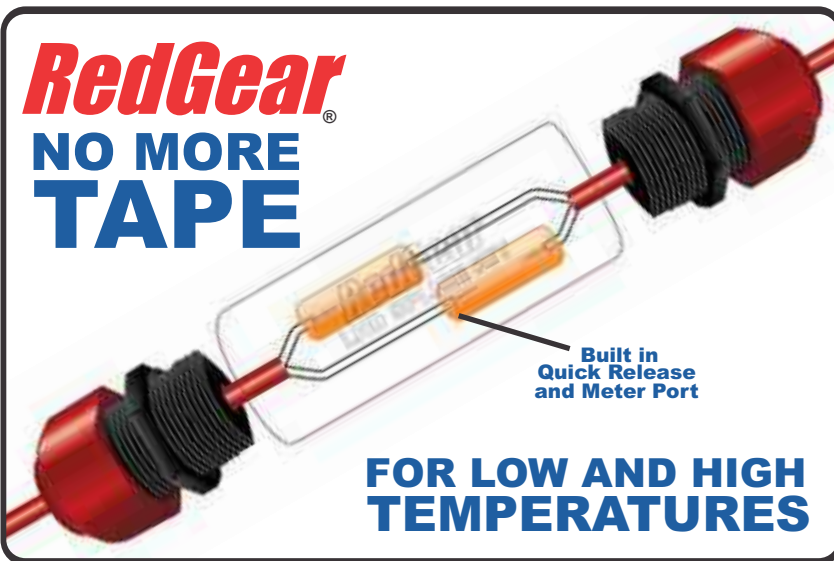
No need to replace entire cable,  
No tape or screws needed



**NEW WEATHERPROOF SPLICE FOR LHD**  
USE WITH QUICK SPLICE IN-LINE CONNECTOR



**FAST & EASY TO INSTALL**  
**IN DIFFICULT INSTALLATIONS**



### SPLICE KIT

**RedGear**



**RedGear** Splice Kit

**Fire Resistant**

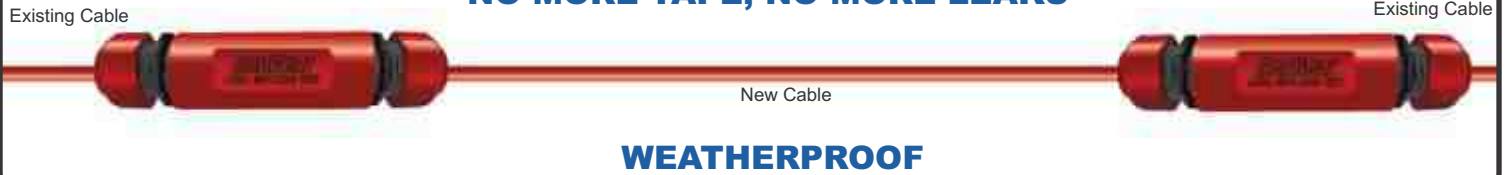
New engineered weatherproof splice kit for LHD cables. Comes with two strain relief connectors, barrel and two Quick Splice In-line Connectors. Rated from -100°F to 392°F (-73°C to 200°C).

Part #: RG1126

NOTE: Optional Single Wire Screw Terminal pg. 23  
Due to offset, two point screw Terminals WILL NOT FIT.

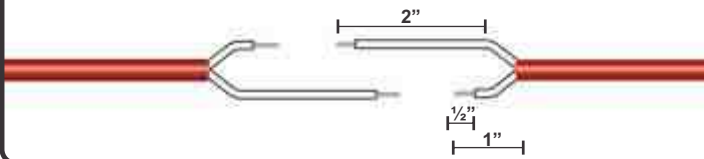


## TYPICAL SPLICE EXAMPLE: NEW REDGEAR SPLICE KIT NO MORE TAPE, NO MORE LEAKS

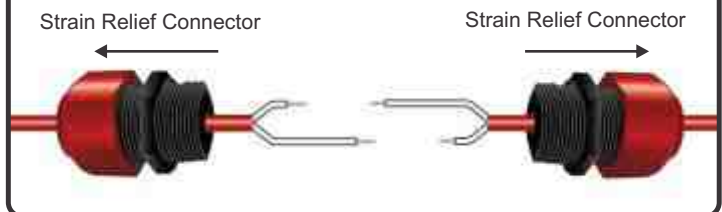


## INSTRUCTIONS

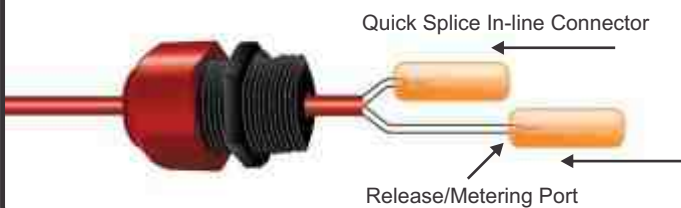
1. Strip outer LHD jacket back 2" on 1st end of LHD to be spliced. Cut one of the inner conductors 1" shorter than the other. Strip the inner conductors back 1/2". Repeat on the other LHD cable to be spliced.



2. Slide a Strain Relief connector on the end of each LHD cable. As illustrated.



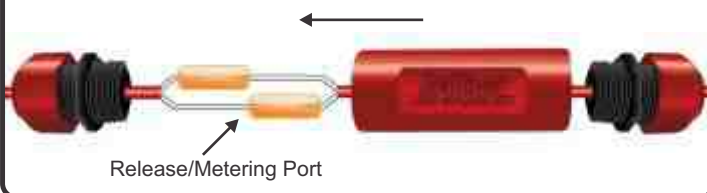
3. Quick Splice In-Line connector on two of the inner conductors on one of the LHD cable ends until it stops.



4. Slide the splice barrel onto one of the LHD cable ends.



5. Attach the other LHD cable to the opposite end of the Quick Splice In-line connectors to complete the splice.



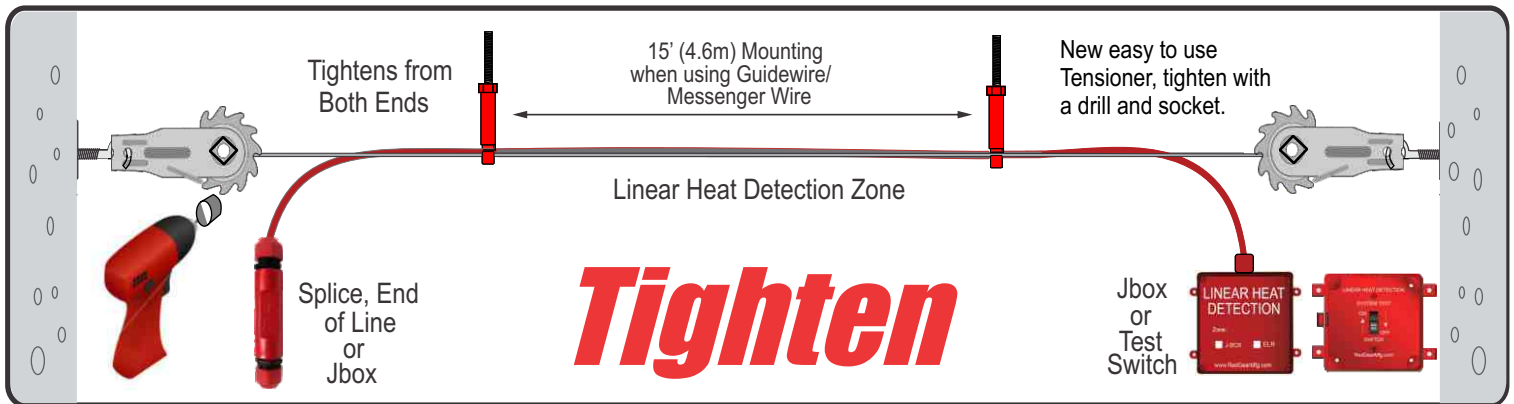
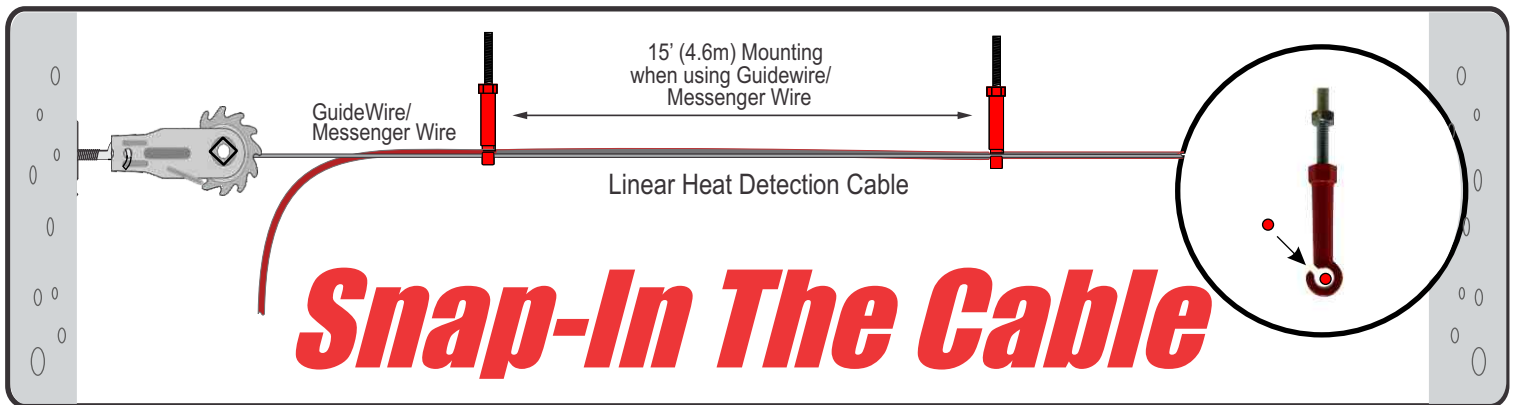
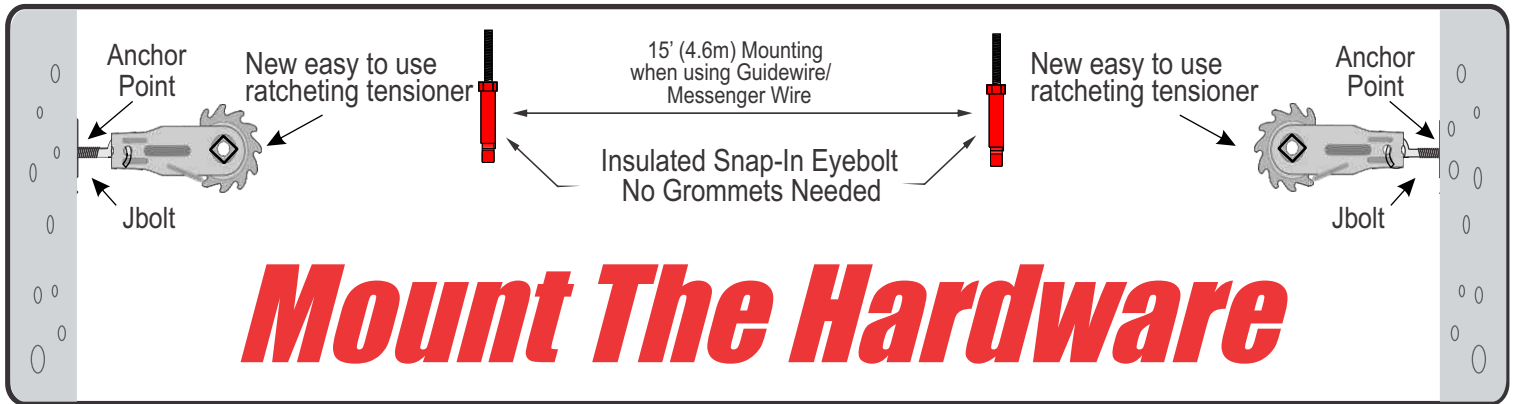
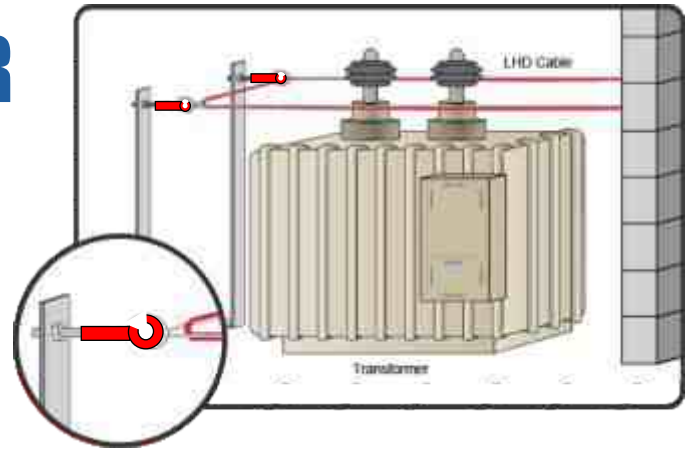
6. Screw the two strain relief connectors onto the splice barrel and tighten. You have completed your splice.



• Note: The Quick Splice In-Line Connectors have a release and metering port for easy service.

## GUIDEWIRE/MESSENGER WIRE SUPPLIES

# *New Snap-In Eyebolts*



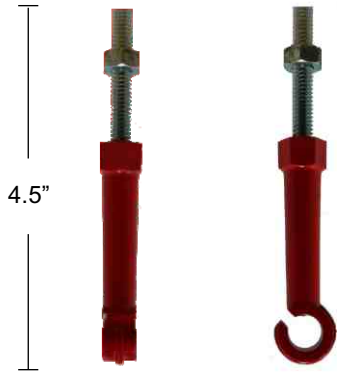
**NO MORE PRE-THREADING EYE BOLTS ON CABLE**

**Easy to use Tensioners • No more grommets or Turnbuckles**



# INSULATED SNAP-IN EYE BOLTS AND TENSIONERS

## INSULATED EYE BOLTS



### Insulated Snap-In Eyebolt Zinc Plated or Stainless Steel No Grommets Needed

For suspending LHD Cable every 15'. Includes one 1/4" X 20 (6.4mm) nut. Second nut required to lock #RS7066ZC OR #RS7066SC. Length: 4.5"

Part #: RG1130X (ZINC) 10/pk

Part #: RG1131 (STAINLESS)

# Snap-In System



MADE IN THE USA

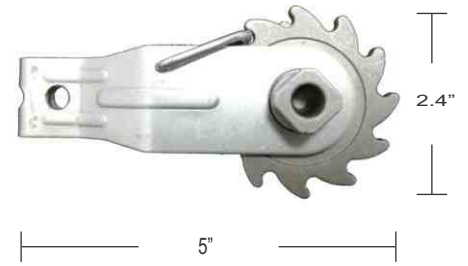


### Locknut Zinc Plated or Stainless Steel

Use as second nut to lock Eyebolts.  
Part #: RS7066ZC (ZINC) 100/pk

Part #: RS7066SC (STAINLESS) 100/pk

## TENSIONER



### Guide Wire Tensioner

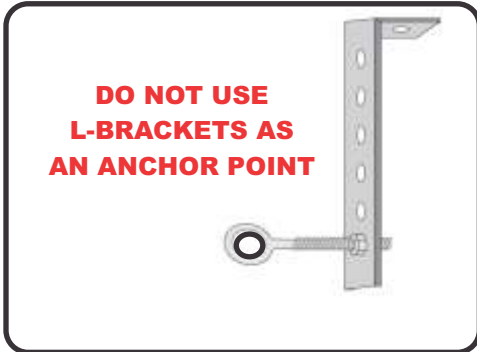
New Guidewire/messenger wire tensioner. Rated from -100°F to 1000°F (-73°C to 200°C). Zinc Part #: RG1132

Stainless Steel Part #: RG1133

Jbolt Zinc #: RG1134

Jbolt Stainless Steel #: RG1135

## L-BRACKETS



### RedGear RedGear L-Bracket, Nylon 6.6



#### Fire Resistant

For suspending detection cable on or around equipment or other various uses. Rated from -100°F to 392°F (-73°C to 200°C). Length: 6 1/2"

10 HOLES

Part #: RG1122X 10/pk

### L-Bracket, Zinc Plated Steel



For suspending detection cable on or around equipment or other various uses.

Length: 6 1/2"  
Hole Size: 3/16"

6 HOLES

Part #: RS7053

## OLD STYLE EYE BOLTS AND TURNBUCKLES

### Threaded Eyebolt Zinc Plated or Stainless Steel

Part #: RS7065Z (ZINC) 10/pk

Part #: RS7065S (STAINLESS)



### Insulating Grommet

Part #: RS7067C 100/pk

### Locknut Zinc Plated or Stainless Steel

Part #: RS7066ZC (ZINC) 100/pk

Part #: RS7066SC (STAINLESS) 100/pk

### Turnbuckle Zinc Plated or Stainless Steel

Part #: RS7069Z (ZINC)

Part #: RS7069S (STAINLESS)

## RECOILING LEADER WIRE



### Recoiling Leader Cable

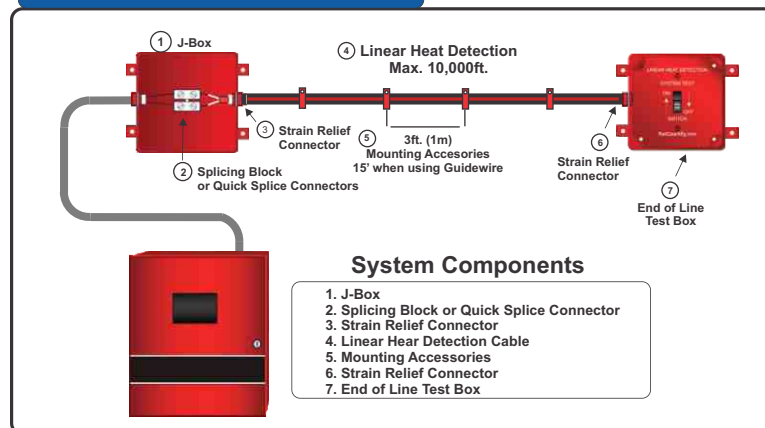
62 ft. (18.8 meter) max. extension length

Part #: TC4407

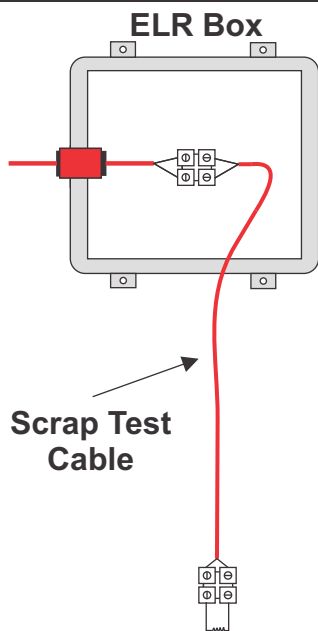
# TESTING A LINEAR HEAT DETECTION SYSTEM

*Below you will learn both ways to properly test an LHD system*

## TEST BOX EXAMPLE



## MANUAL METHOD

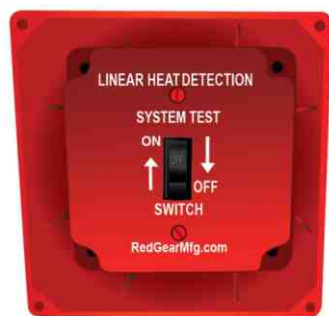


## How to test LHD

1. Be sure the LHD Test Cable has the same activation temperature as the installed LHD.
2. From the ELR-Box in the detection zone, install a small length of LHD to be used for testing. Use approved splicing techniques or a zone box.
3. Apply heat to the test wire until it puts the panel into alarm.
4. After the test is completed, the heat actuated portion of the SafeCable should be removed, the end of line resistor replaced, and the system placed back on line.

## TEST BOX METHOD

## How to test LHD with a Test Box



**RedGear HD/ELR-Test Box**  
Part #: RG5223

1. Disconnect any and all suppression systems from the fire detection relay.
2. Remove the cover of the LHD Test Switch Box
3. Turn the Test Switch to the ON position
4. Ensure that the Fire Alarm Panel goes into alarm
5. Turn the Test Switch to the OFF position
6. Put the cover back onto the Test Switch Box
7. Reconnect the Alarm Panel



# *RedPipe*

## Air Sampling Smoke Detection Installation Supplies

Compatible with all Aspirating Smoke Detection Systems



## UL Listed for Plenum Spaces

## Air Sampling Smoke Detection Installation Resources:

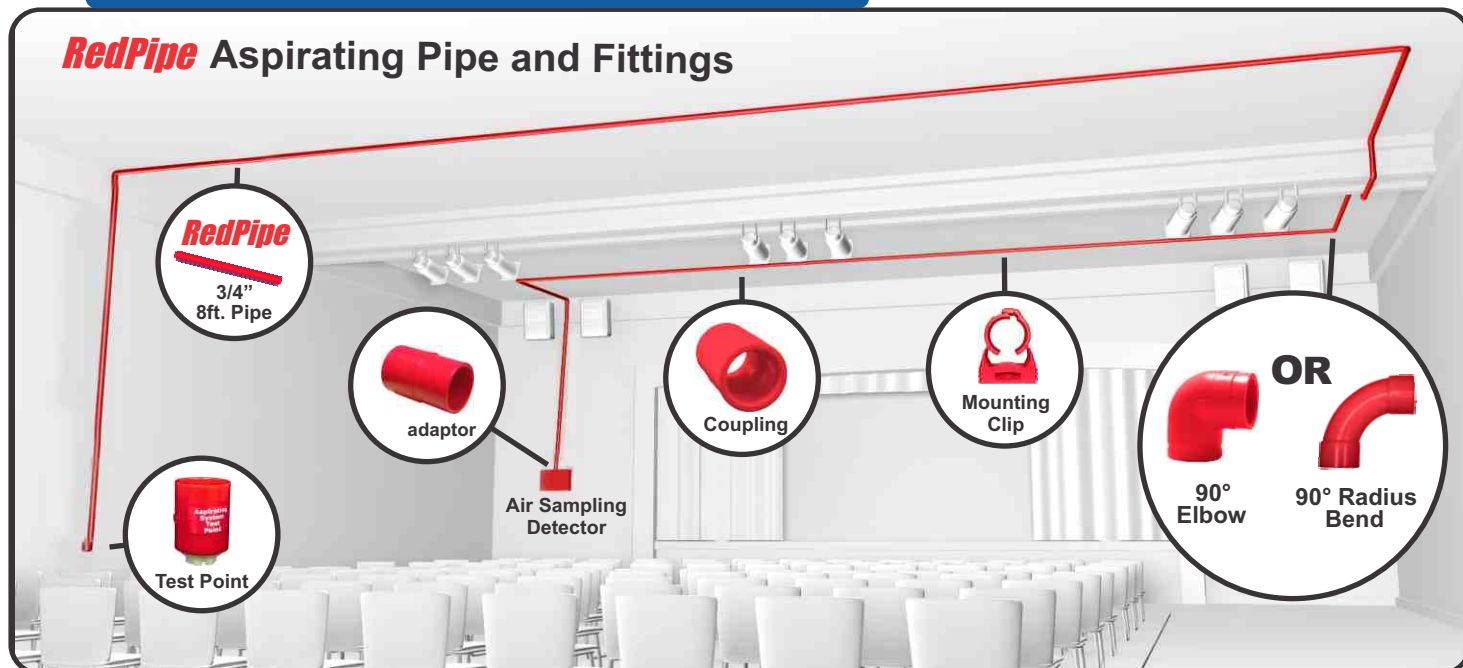
Enclosed you will find examples of system applications along with pertinent sections of the 2013 NFPA 72 code for your reference

(Always follow all applicable federal, local and NFPA codes along with the manufacturers recommendations)

- |                  |       |                         |       |
|------------------|-------|-------------------------|-------|
| ■ System Example | 27 pg | ■ Atrium                | 31 pg |
| ■ NFPA 72 Code   | 28 pg | ■ Subway Station        | 32 pg |
| ■ Warehouse      | 30 pg | ■ Rack Filled Warehouse | 32 pg |
| ■ New Resources  | 30 pg | ■ Computer Server Room  | 33 pg |
| ■ Hotel Lobby    | 31 pg | ■ Capillaries           | 33 pg |

### AIR SAMPLING SYSTEM EXAMPLE

#### RedPipe Aspirating Pipe and Fittings



**RedGear** Made In America



## Air Sampling National Fire Codes

Below you will find portions of the NFPA 72®, 2013 National Fire Alarm and Signaling Codes pertinent to Air Sampling Smoke detection. Please refer to the specific NFPA Code publication for additional information.

### Chapter 3 Definitions

**3.1 General.** The definitions contained in this chapter apply to the terms used in this code.

**3.3.6 Air Sampling-Type Detector.** see 3.3.66, Detector.

**3.3.6.1 Air Sampling-Type Detector.** A detector that consists of a piping or tubing distribution network that runs from the detector to the area(s) to be protected. An aspiration fan in the detector housing draws air from the protected area back to the detector through air sampling ports, piping or tubing. At the detector, the air is analyzed for fire products. (SIG-IDS)

**3.3.66 Detector.** A device suitable for connection to a circuit that has a sensor that responds to a physical stimulus such as heat or smoke. (SIG-IDS)

### 3.3.269 Smoke Detection

**3.3.269.1 Cloud Chamber Smoke Detection.** The principle of using an air drawn from the protected area into a high humidity chamber combined with a lowering of chamber pressure to create an environment in which the resultant moisture in the air condenses on am smoke particles present, forming a cloud. The cloud density is measured by a photoelectric principle. The density signal is processed and used to convey an alarm condition when it meets preset criteria. (SIG-IDS)

**3.3.269.4 Photoelectric Light-Scattering Smoke Detection.** The principle of using a light source and a photosensitive sensor arranged so that the rays from the light source do not normally fall onto the photosensitize sensor. When smoke particles enter the light path, some of the light is scattered by reflection and refraction onto the sensor. The light signal is processed and used to convey an alarm condition when it meets preset criteria. (SIG-IDS)

### 10.5.3 Inspection, Testing and Maintenance Personnel. (SIG-TMS)

**10.5.3.3\*** Service personnel shall be qualified and experienced in the inspections, testing, and maintenance of systems addressed within the scope of this Code. Qualified personnel shall include, but not be limited to, one or more of the following:

(1)\*Personnel who are factory trained and certified for the specific type and brand of system being serviced.

### 10.4 Installation and Design

**10.4.1** All systems shall be installed with in accordance with the specifications and standard approved by the authority having jurisdiction.

### Chapter 14

**14.2.2.1.1** Inspection, testing, and maintenance programs shall satisfy the requirements of this code and conform to the equipment manufacturer's published instructions.

**14.2.2.1.2** Inspection, testing, and maintenance programs shall verify correct operation of the system.

### 14.4.2 Test Methods

(5) Air Sampling

Per method documented in the manufacturer's published instructions, detectors alarm response shall be verified through the end sampling port on each pipe run; airflow through all other ports shall be verified as well.

### Chapter 17 Initiating Devices

**17.5 Requirements for Smoke and Heat Detectors.**

**17.7 Smoke-Sensing For Detectors.**

**17.7.3 Location and Spacing**

**17.7.3.2\* Spot Type Smoke Detectors.**

**17.7.3.2.3.1\*** In the absence of specific performance-based de-sign criteria, smooth ceiling smoke detector spacing shall be a nominal 30 ft (9.1 m).

**17.7.3.2.3.2** In all cases, the manufacturer's published instructions shall be followed.

**17.7.3.2.3.3** Other spacing shall be permitted to be used depending on ceiling height, different conditions, or response requirements.

**17.7.3.2.3.5\*** For smooth ceilings, all points on the ceiling shall have a detector within a distance equal to 0.7 times the selected spacing.

**17.7.3.2.4.2** For level ceilings, the following shall apply:

(1) For ceilings with beam depths of less than 10 percent of the ceiling height (0.1 H), smooth ceiling shall be permitted. Spot-type smoke detectors shall be permitted to be located on ceilings or on the bottom's of beams.

Reproduced with permission from NFPA 72®-2013, National Fire Alarm and Signaling Code, Copyright © 2012, National Fire Protection, Quincy, MA. This reprinted material is not the complete and official position of the NFPA on the referenced subject, which is represented only by the standard in its entirety.

(2) For ceilings with beam depths equal to or greater than 10 percent of the ceiling height (0.1 H), the following shall apply:

(a) where beam spacing is equal to or greater than 40 percent of the ceiling height (0.4 H), spot type detectors shall be located on the ceiling in each beam pocket.

(b) where beam spacing is less than 40 percent of the ceiling height (0.4H), the following shall be permitted for spot detectors:

**17.7.3.2.4.6** For sloped Ceilings with solid joists, the detectors shall be located on the bottom of the joist.

**17.7.3.3\* Peaked.** Detectors shall first be spaced and located within 36 in. (910 mm) of the peak, measured horizontally. The number and spacing of additional detectors, if any, shall be based on the horizontal projection of the ceiling.

**17.7.3.4 \* Shed.** Detectors shall first be spaced and located within 36 in. (910 mm) of the high side of the ceiling, measured horizontally. The number and spacing of additional detectors, if any, shall be based on the horizontal projection of the ceiling.

### 17.7.3.6 Air Sampling-Type Spot Smoke Detector

**17.7.3.6.1** Each sampling port of an air sampling-type smoke detector shall be treated as a spot-type detector for the purpose of location and spacing.

**17.7.3.6.2** Maximum air sample transport time from the farthest sampling port to the detector shall not exceed 120 seconds.

**17.7.3.6.3\*** Sampling pipe networks shall be designed on the basis of, and be supported by sound fluid dynamic principles to ensure required performance.

**17.7.3.6.4** Sampling pipe network design details shall include characteristics of the pipe network and each sample port.

**17.7.3.6.5** Air Sampling detectors shall give a trouble signal if the air flow is outside the manufacturers specified range.

**17.7.3.6.6\*** The sampling ports and in-line filter, if used, shall be kept clear in accordance with the manufacturer's published instructions.

**17.7.3.6.7** Air-sampling network piping and fittings shall be airtight and permanently fixed.

**17.7.3.6.8** Sampling system piping shall be conspicuously identified as "SMOKE DETECTOR SAMPLING TUBE -DO NO DISTURB," as follows:

(1) At changes in direction or branches of piping  
 (2) At each side of penetrations of walls, floors or other barriers.

(3) At intervals on piping that provide visibility within the space, but no greater than 20 ft. (6.1 m) So far this explanation has considered squares and circles.

**17.7.6.3.3.2** Air-Sampling or projected beam smoke detectors shall be installed in accordance with the manufacturer's published instructions.

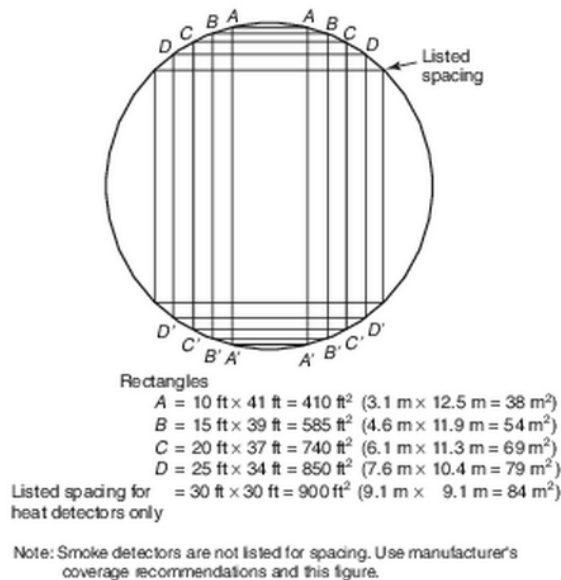


FIGURE A.17.6.3.1.1.(a) Detector Spacing.

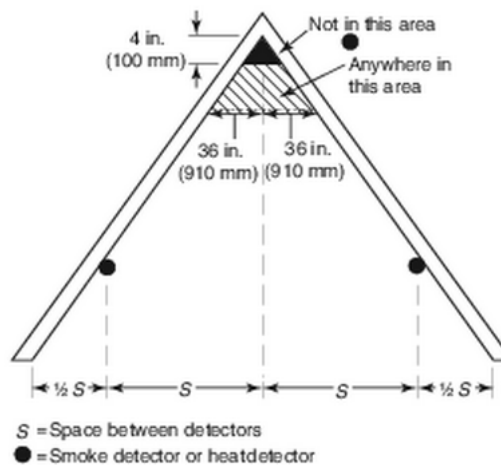


FIGURE A.17.6.3.4(a) Smoke or Heat Detector Spacing Layout, Sloped Ceilings (Peaked Type).



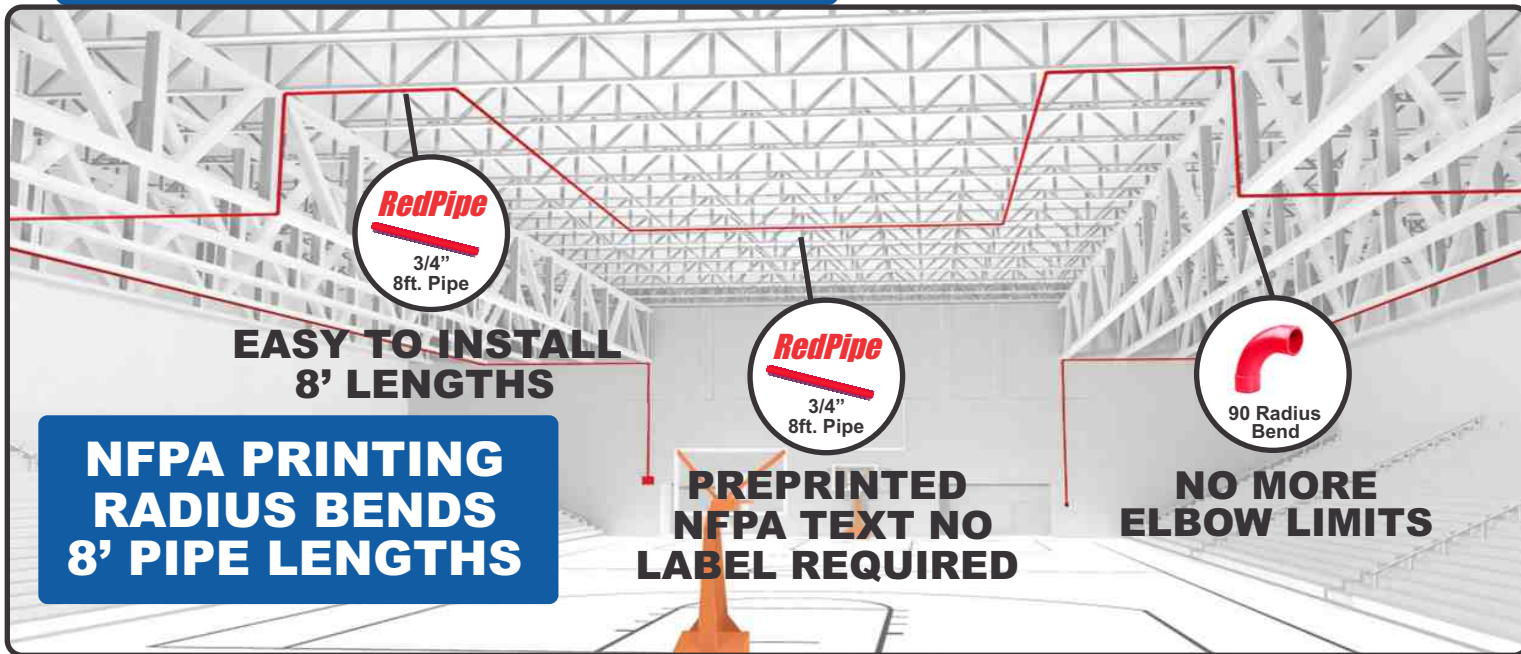
**National Fire Protection Association**  
 The authority on fire, electrical and building safety

NFPA 72® is a registered trademark of the National Fire Protection Association, Quincy, MA.

# Examples



## SCHOOLS



Buy Direct From the Manufacturer

## WAREHOUSE



HOTELS



SHOPS

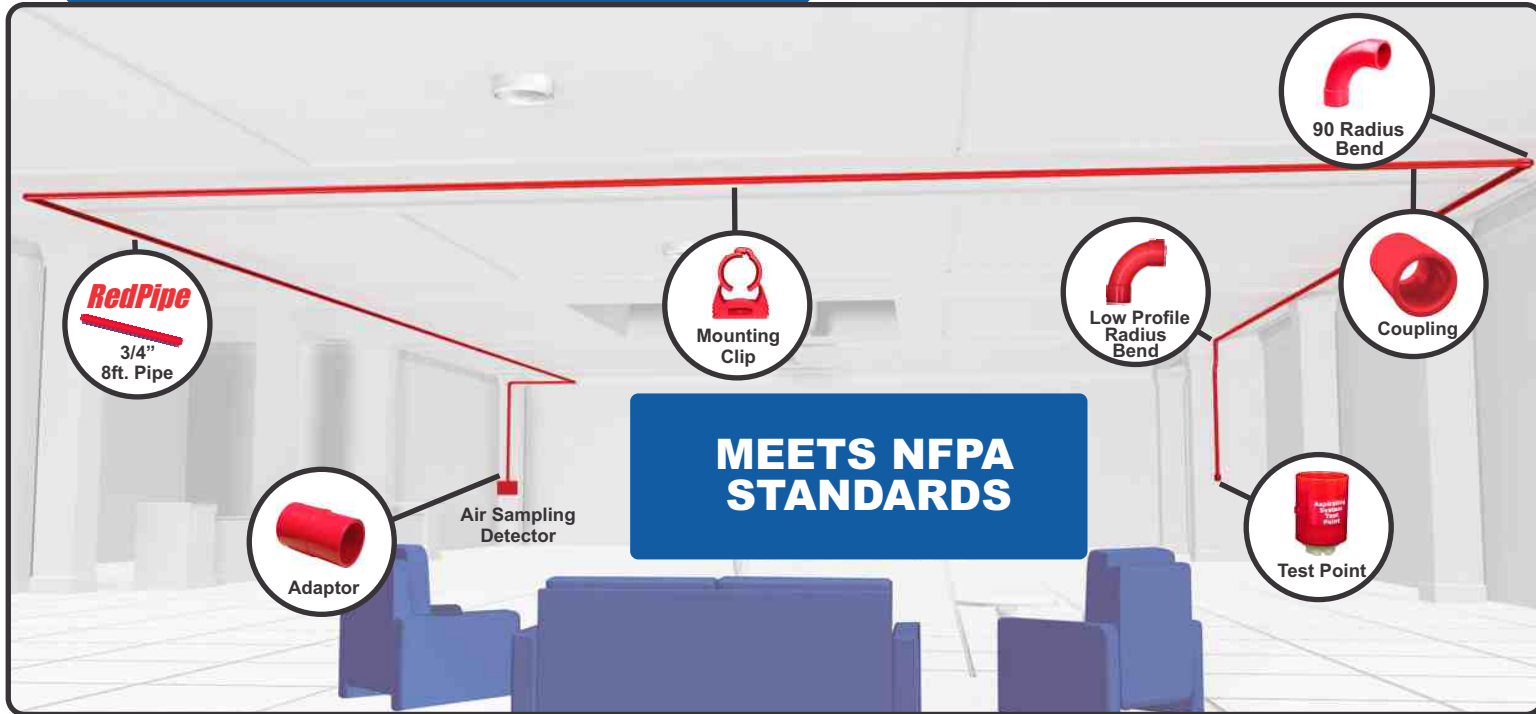


OFFICES

# Examples



## HOTEL LOBBY



[RedGearMfg.com](http://RedGearMfg.com)

## ATRIUM



MUSEUMS

PRISONS

DATA & TELECOM



# Examples



MADE IN THE USA

## SUBWAY STATION



Buy Direct From the Manufacturer

## RACK FILLED WAREHOUSE



HOSPITALS

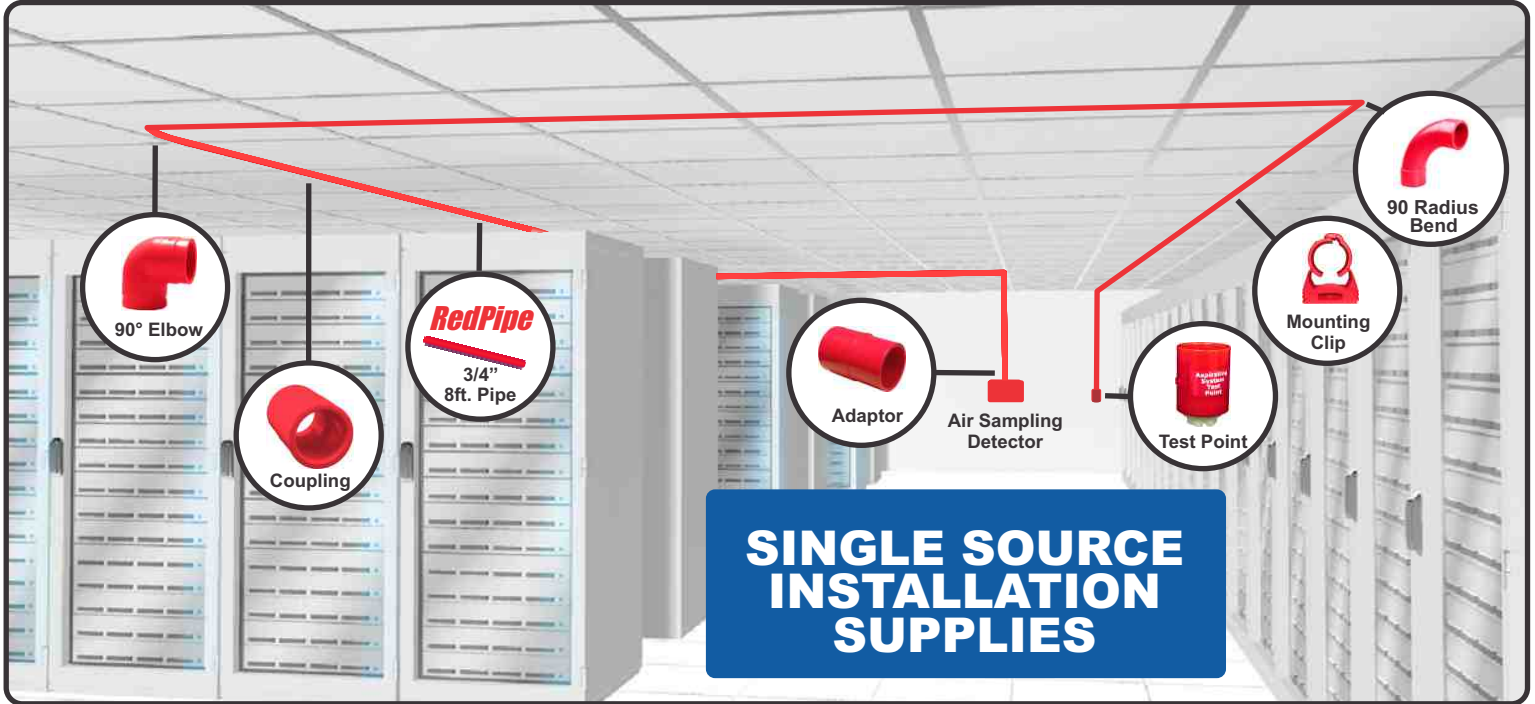
MARINE

TRANSPORTATION

# Examples

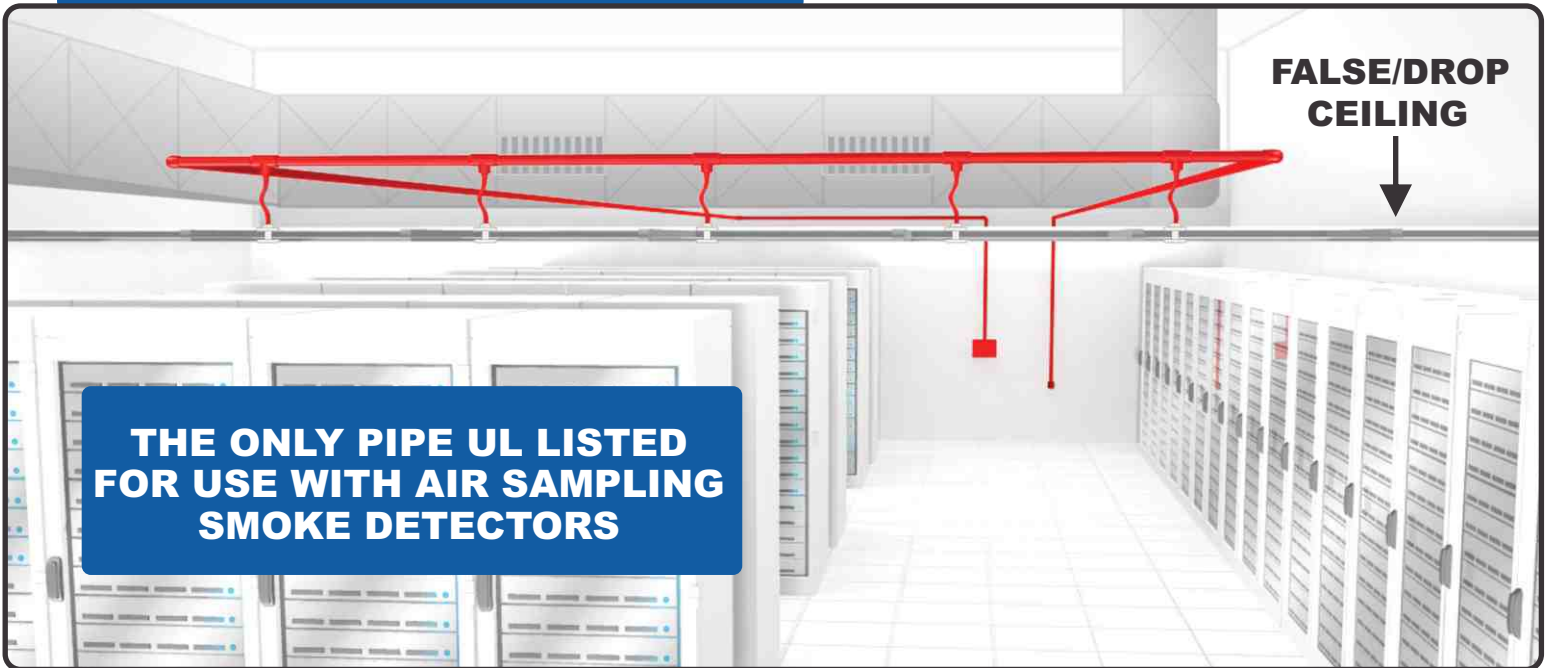


## COMPUTER SERVER ROOM



## CAPILLARIES

*RedGearMfg.com*



WAREHOUSES

FREEZERS

STORAGE

# RedPipe

*The Only Pipe Approved  
Specifically For Use With  
Air Sampling Smoke Detection Systems*

Approved with all Aspirating Smoke Detection Systems

## FEATURES

- 8ft Lengths
- Fire Resistant
- Easier to Install
- UL Listed for Plenums
- No Pipe Labels Needed
- Ships Direct to Your Site
- Lowest Cost
- Meets NFPA
- Fire System Red



**15' LENGTHS**  
SHIPPED VIA  
**SEMI-TRUCK**



DIRECTLY TO YOUR OFFICE OR JOB SITE  
**8' LENGTHS**  
SHIPS FEDEX GROUND OR AIR  
(Overnight Shipping Available)

# RedPipe

RedPipe is a UL listed fire resistant 3/4" CPVC pipe UL approved specifically for use with ALL air sampling smoke detectors



## NFPA PRINTING ON PIPE

Available in Spanish Part #:RP5209S

## UL Listed for Plenum Areas



**(No Pipe Labels Needed)**



**MADE IN THE USA**

**BUY DIRECT FROM THE MANUFACTURER**



**RedPipe**

**UL listed for use with all air sampling systems**

**8'(2.4m) OR 15ft(4.5m) Lengths**  
**3/4" (25mm) RedPipe CPVC**

**FIRE RESISTANT** SCH-40 (ID 0.874"/ID 22.1mm)  
Approved for use in plenum areas.

**(1 each) 8' Length**  
**Part #: RP5209 English & Spanish Text**

**(1 each) 15' Length**  
**Part #: RP5209-15 English & Spanish Text**



**Volume Discounts Available**

## REDPIPE FITTINGS

UL Listed

3/4" CPVC SCH-40 (ID 0.874/22.1mm)

**RedGearMfg.com**

**NEW 3/4" RADIUS BEND**



**No Elbow Limits**

**Change Direction Without Limitations**

### PIPE FITTINGS



**RedPipe**

#### 3/4" 90° Radius Bend

(Socket/Socket)  
CPVC SCH-40 (ID 0.874/22.1mm)  
This new type of elbow is equivalent to a bend. You can now change the direction of the pipe without the design limitations of 90° elbows.

Part #: RP5215X 10/pk



**RedPipe**

#### 3/4" Low Profile 90° Radius Bend

(Socket/Socket)  
CPVC SCH-40 (ID 0.874"/22.1mm)  
Low profile radius bend is made of a fire resistant CPVC.

Part #: RP5230X 10/pk



**RedPipe**

#### 3/4" 90° Elbow

(Socket/Socket)  
CPVC SCH-40 (ID 0.874"/22.1mm)  
90-degree elbow is made of a fire resistant CPVC.

Part #: RP5202X 10/pk



**RedPipe**

#### 3/4" 45° Elbow

(Socket/Socket)  
CPVC SCH-40 (ID 0.874/22.1mm)  
45-degree elbow is made of a fire resistant CPVC.

Part #: RP5203X 10/pk

### PIPE FITTINGS



**RedPipe**

#### 3/4" Coupling

(Socket/Socket)  
CPVC SCH-40 (ID 0.874/22.1mm)  
Coupling is made of a fire resistant CPVC.

Part #: RP5206X 10/pk



**RedPipe**

#### Pipe to Detector Adaptor

**Sold Individually**

Detector to Pipe Adaptor 25mm-3/4" CPVC SCH-40 (ID 0.874/22.1mm)  
Pipe adapter pipe fitting is made of a fire resistant CPVC mixture. Must be used with an air sampling detector to connect pipe system to the detector.

Part #: RP5207



**RedPipe**

#### 3/4" Tee

(Socket/Socket/Socket)  
CPVC SCH-40 (ID 0.874/22.1mm)  
Tee is made of a fire resistant CPVC.

Part #: RP5204X 10/pk



**RedPipe**

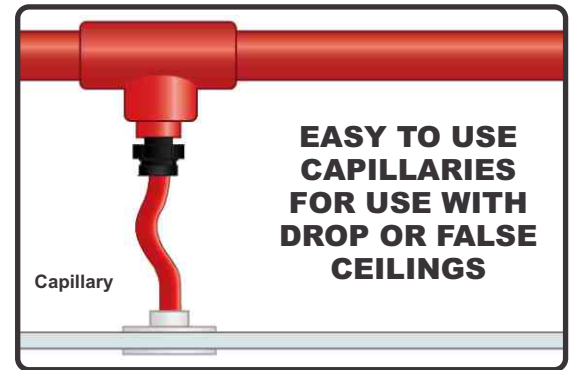
#### 3/4" End Cap

(Socket)  
CPVC SCH-40 (ID 0.874/22.1mm)  
End Cap is made of a fire resistant CPVC.

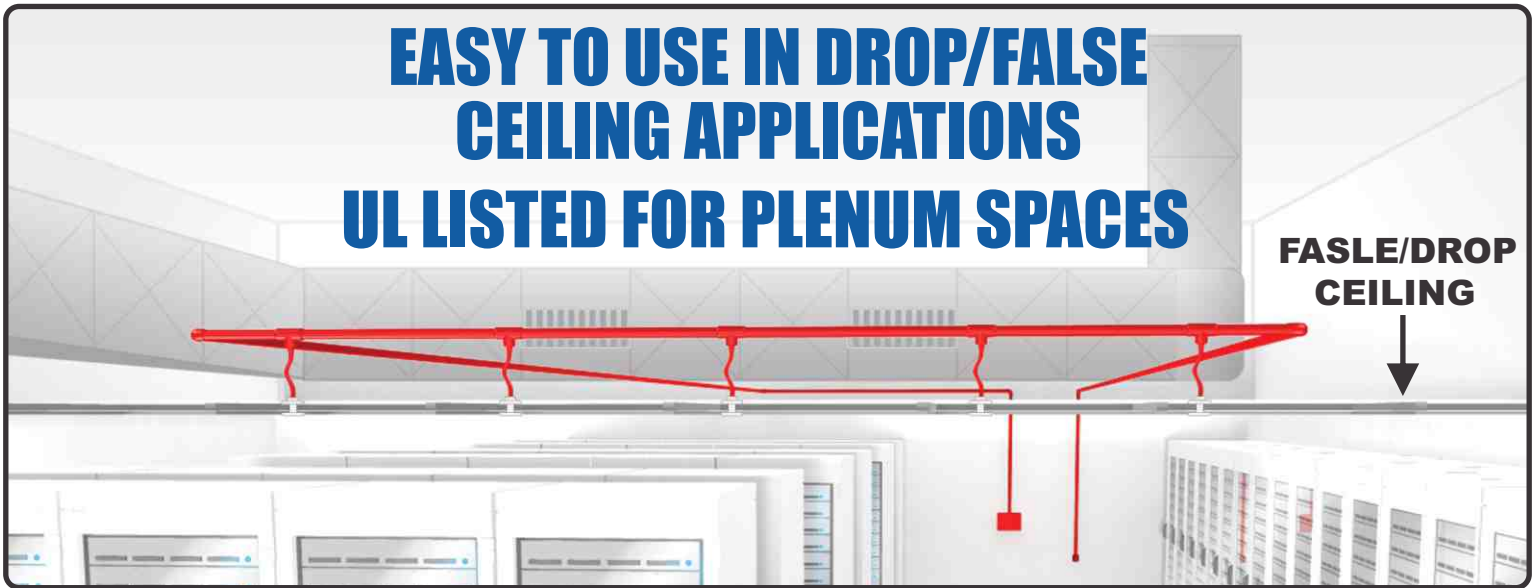
Part #: RP5205X 10/pk

## REDPIPE CAPILLARIES

*For use with drop/false ceiling installations the flexible tubing allows you to lift the ceiling tile out; the quick disconnect allows you to detach the capillary from the pipe*



## EASY TO USE IN DROP/FALSE CEILING APPLICATIONS UL LISTED FOR PLENUM SPACES



**Also Great For Use with "In-Cabinet" Detection**

### CAPILLARY



**3/4" Tee**

CPVC SCH-40 (ID 0.874, made of fire resistant material.

Part #: RP5204X 10/pk



**Air Sample Points**

Use in drop ceiling or in-cabinet applications for air sampling smoke detection.

**A Part #: RP5216**

**B Part #: RP5222**



**Quick Disconnect 1/2" tubing**

Use in drop ceiling or in-cabinet applications for air sampling smoke detection.

**Part #: RP5225**

Note: 2 Required for each Capillary Drop



**1/2" Capillary Tubing**

Use in drop ceiling or in-cabinet applications for air sampling smoke detection.  
Length: 328ft (100m)  
3/8"ID 1/2" OD

**Part #: RP5227 50ft.**

**Part #: RP5229 100ft.**



**Quick Disconnect 3/8" tubing**

Use in drop ceiling or in-cabinet applications for air sampling smoke detection.

**Part #: RP5223**



**3/8" Capillary Tubing**

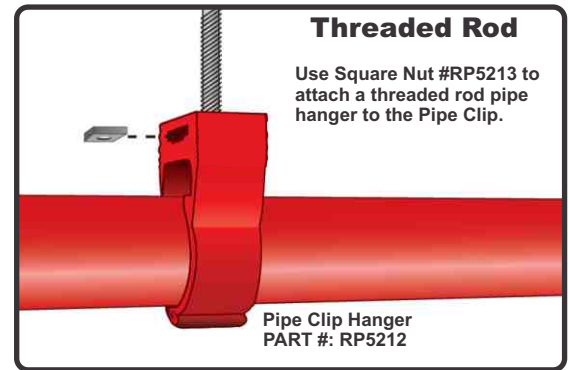
Use in drop ceiling or in-cabinet applications for air sampling smoke detection.  
Length: 328ft (100m)  
1/4"ID 3/8" OD

**Part #: RP5219 50ft.**

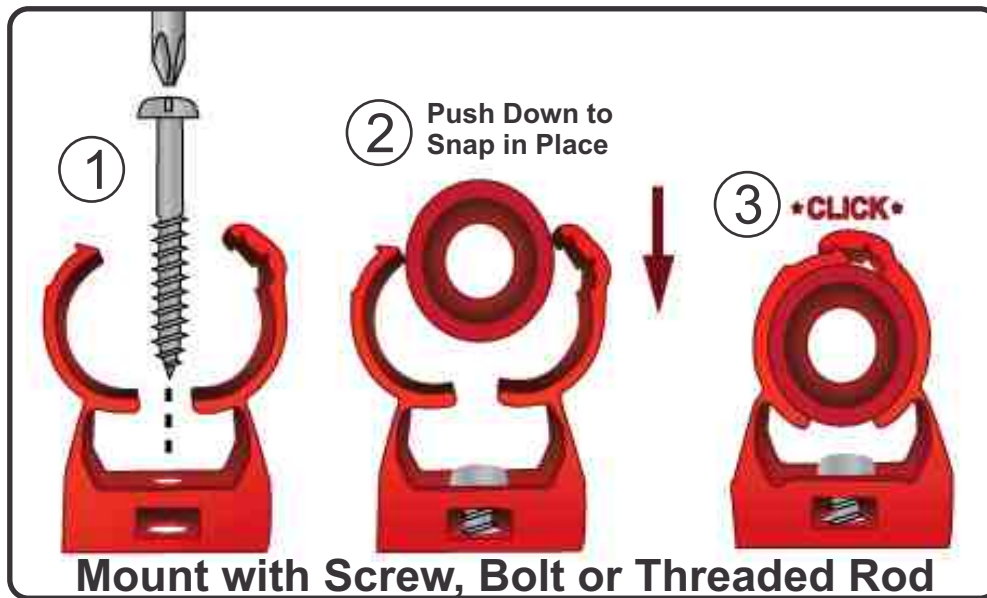
**Part #: RP5224 328ft.**

## REDPIPE CLIP HANGERS

Now you can hang pipe easier  
and faster with new **RedPipe**  
clip hangers



## EASY TO MOUNT TO CEILING OR DECK



**JUST  
SNAP  
IN PLACE**

### PIPE HANGERS



**Standard Pipe Hanger- Zinc plated for 3/4" Pipe**

One Piece Pipe Clip, Pipe Size 3/4 In, Max Load 250 Lb, Bolt Size 3/8 In, For Vertical or Horizontal Tubing Support, Includes Captive Screw and Built In Nut.

Part #: RS7073 Zinc 50/pk

### REDGEAR PIPE CLIP HANGERS



OPEN

**JUST  
SNAP  
IN PLACE**



CLOSED

**RedPipe 3/4" Pipe Clip Hanger**

One Piece Pipe Clip, Pipe Size 3/4 In, Max Load 250 Lb, For Vertical Or Horizontal Tubing Support.

Part #: RP5212 25/pk

**RedPipe Square Nut**

Required with pipe clip hanger to install threaded rod.

Part #: RP5213 50/pk

## REDPIPE ACCESSORIES

Everything you need to complete your installation

**RedGearMfg.com**



Test Point

### TESTING ACCESSORIES



#### Smoke Testing Pen

Smoke Pen used in the testing of light scattering, laser, and cloud chamber type Air Sampling Detectors.

Part #: RP5211



#### (Telescoping) Laser Smoke Detector Tester

Telescoping smoke detector tester. Used to test Laser based and hard to reach smoke detectors.

Part #: RP5228



#### Blue LED Smoke Detector Tester

Aresol based smoke detector tester. used to test photoelectric and blue LED Smoke Detectors.

Part #: RP5231

### AIR SAMPLING ACCESORIES



#### 3/4" Inline Air Filter

Used to filter out dust in the air going into the air sampling smoke detection system. Used in hazardous and industrial environments.

Part #: RP7125



#### Replacement Filter

Replacement filter for inline filter #RP7125.

Part #: RP7126

### PIPE ACCESSORIES



#### Kobalt 1-5/8-in PVC Cutter

Ratcheting PVC cutter cuts CPVC pipe up to 1 Inch OD. Housing made of steel. Ratcheting feature.

Part #: RP5211



#### CPVC Pipe Cement

TFP-500 All-Purpose Medium Bodied Cement Container Size: 8 oz. Use for all Air Sampling Smoke pipe systems.

Part #: RP5214

### LABELS



#### Sample Pipe Labels

**NOT Required on RedPipe.**

Part #: RP5217 125/roll



#### Sample Point Labels

.90"/.16" hole (23mm/4mm Hole).

*Note: Place a Sample label at each sample point.*

Part #: RP5218 125/roll

### AIR SAMPLING TEST POINT



#### 3/4" Test Point

Test Point for use with any air sampling smoke detection system.

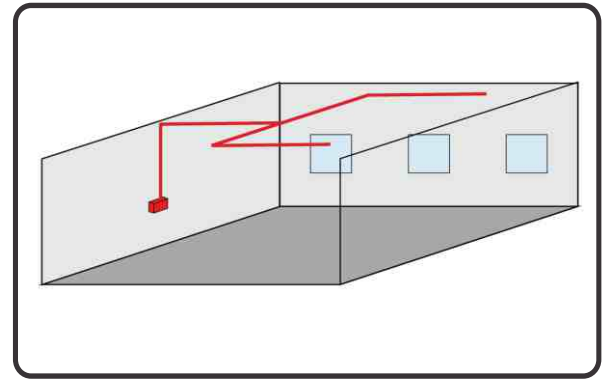
Part #: RP2226



## INSTALLATION KIT

One kit for everything you need for  
(up to) 50'x50' (15m x15m) area  
or 2500ft<sup>2</sup> (225m<sup>2</sup>)

**RedGearMfg.com**



Typical System

### PIPE KIT 50'X50' AREA



Pipe Kit- 50'x50' (15m x 15m) Area  
Plenum Rated Fire Resistant

This Kit provides you with everything you need for 'most' 50'x50' (15m x 15m) areas. If the room is 100' (30m) x50' (15m) simply purchase two kits. (see right for exact quantities of each.)

Part #: RP5200

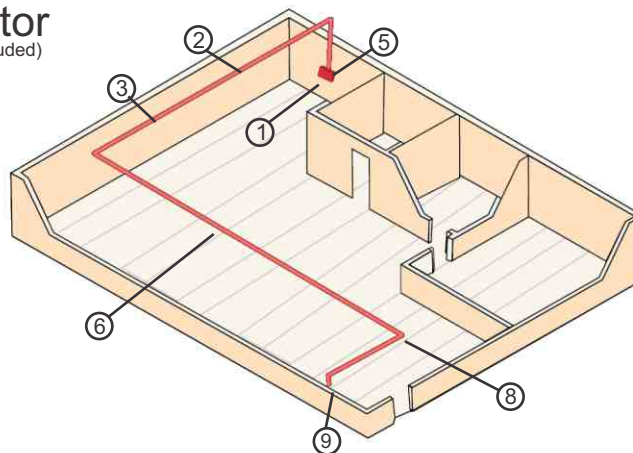
**Kit Includes:**

- 1 - Adaptor
- 8 - 90° Elbows
- 2 - Test Points
- 1 - Tee
- 12- Couplings

- 1 - CPVC Pipe Cement
- 1 - Pipe Cutting Tool
- 35 - Pipe Hangers
- 25 - Sample Point Labels
- 96'- RedPipe

### STANDARD CONFIGURATION

- ① Air Sampling Detector  
(Not Included)
- ② **RedPipe**
- ③ Pipe Clip Hangers
- ④ Pipe Cement (Not Shown)
- ⑤ Adaptor



- ⑥ Couplings
- ⑦ Tee (Not Shown)
- ⑧ 90° Elbows
- ⑨ Test Points

## Terms and Conditions

### **Manufacturer's Warranty:**

RedGear Mfg.'s Accessories are made for Linear Heat and Air Sampling Detection Systems only.

Seller warrants that Accessories purchased from RedGear Mfg. will, under normal use and service, be free from defects in material and workmanship for a period of one (1) year from the date of original sale. Seller agrees, upon written notice from Buyer given no later than 30 days after the defect is discovered, to repair or replace, at the Seller's option, any part, which after examination by Seller, is disclosed to have been defective, provided that such product is returned to the Seller transportation prepaid, during the warranty period. This warranty does not apply to any item not completely assembled or damage resulting from accident, improper installation, misuse or abuse. The full extent of Seller's warranty obligations are to repair or replace any defective part. Transportation to and from RedGear is the responsibility of the buyer.

There are no other warranty obligations of seller, including any warranty of merchantability or fitness for a particular purpose, either expressed or implied. Seller is not liable for any other costs, delays, labor charges, shipping or handling charges for warranty parts, or claims, nor for any consequential or incidental damages with respect to the product.

### **Ordering Information:**

- All orders should be placed through RedGearMfg.com or can be emailed to customerservice@RedGearMfg.com.
- All orders placed are subject to approval and acceptance by RedGear MFG.
- RedGear accepts your order on the basis of price in effect at time of shipments.
- Part numbers must be used when placing orders via email. All prices are FOB ship point.
- Most current catalog supercedes all others.

### **Terms:**

- RedGear Guarantees that all Official RedGear Products,(does not include standard products), will be the lowest cost available. If the customer finds a lower "Published" price on a RedGear Item, RedGear will match the price of the item.
- All payments must be made in US dollars.
- Possession of any price sheets does not constitute a valid distributorship.
- A valid distributorship is defined solely by RedGear MFG.
- Customer credits will be applied to open and future orders only.
- All Non-Warranty returns are subject to a minimum 50% Restocking Charge.
- Due to offsite document storage and retrieval, credit memos not applied within the calendar year it is purchased will be forfeited.
- Terms subject to change without notice.
- For credit terms 100.00 minimum order, contact customerservice@redgearmfg.com for details.

### **Shipping/Freight Information:**

- RedGear reserves the right to ship all orders by the shipping service of our choice.
- Free Shipping is for orders over \$500.00 US dollars or more and is for DOMESTIC customers only. Subject to change any time, if additional discounts are given free shipping does not apply.
- RedGear reserves the right to ship all orders by the shipping service of our choice.
- Same day shipping is available upon request and availability. Purchase order must be entered into our system by 2:00 PM EST.
- A \$100.00 USD expediting charge will be added to the normal shipping charges on any expedited order.
- Customer is responsible for any special shipping request charges.
- Overnight shipping is available for an additional fee, please contact customerservice@redgearmfg.com for details
- Same day shipping is available upon request (please email customerservice@redgearmfg.com for details) and availability. Purchase order must be entered into our system by 2:00PM EST, and is an additional \$100.00.
- Customer is responsible for any special shipping request charges.
- Shipments are not insured. Insurance is available for an additional fee. Contact Customer Service at Customerservice@redgearmfg.com for assistance.

### **Delivery Date:**

Unless expressly specified to the contrary, goods in stock will be shipped without delay, and goods not in stock will be shipped as soon as possible. However, all estimates of delivery time are approximate and failure to effect shipment of an accepted order by estimated delivery date will not be considered sufficient cause of cancellation.

### **Delays:**

Seller shall not be liable for any damage, fault or delay caused by or imposed by strikes, fires, major disasters, acts of nature, governmental action, shortage of labor, power, materials, or any other cause or condition beyond Seller's control.

### **Transportation Charges:**

- Unless otherwise specifically provided, the price of the goods sold is FOB Indian Trail, NC.
- Freight will be added to invoice cost plus a \$12.00 USD handling fee, \$50.00 USD handling for skidding requests and \$250.00 USD handling for crating requests.
- Shipments are not insured. Insurance is available for an additional fee. Contact Customer Service at [Customerservice@redgearmfg.com](mailto:Customerservice@redgearmfg.com) for assistance.
- Title to the goods sold passes to the Buyer upon delivery by RedGear to the carrier, and any claims for losses or damage in transit shall be filed by Buyer directly with the carrier, regardless of the fact that freight is prepaid by RedGear.
- Cancellation or suspension of orders will be accepted by RedGear only upon terms that will indemnify us against loss. RedGear also reserves the right to charge a cancellation or suspension fee.
- Postponement of deliveries at buyer's request, if for a period of more than thirty (30) days, will not be made without prior approval from RedGear. In the absence of such indemnification, RedGear shall be entitled to recover all damages and costs of whatever nature permitted by the Uniform Commercial Code indemnification.

### **Taxes:**

- Prices do not include sales, use, excise or similar taxes, whether federal, state or local.
- The amount of any such taxes applicable to the goods shall be paid by the Buyer in the same manner and with the same effect as if originally included in the purchase price.

### **General Conditions:**

- No agent, salesperson, or other party is authorized to bind RedGear by any agreement, warranty, statement, promise or understanding not herein expressed.
- The sale of the goods pursuant to this order shall be governed by the laws of North Carolina in which the order is accepted and from which the equipment is shipped; and any such sale or contract shall be deemed to be a sale and/or contract of North Carolina. In addition to the rights and remedies conferred upon RedGear by law, RedGear shall not be required to proceed with the performance of any order or contract if Buyer is in default in the performance of any order or contract with RedGear and in case of doubt as to Buyer's financial responsibility, shipments under this order may be suspended or sent sight draft with bill of lading attached by RedGear.
- Any clerical errors are subject to correction.
- By placing an order with RedGear, you accept all terms and conditions expressed herein.

### **Claims:**

- Claims for shortages and damaged goods must be made on the delivering carrier.
- For incorrect material, contact our Customer Service Department at [customerservice@redgearmfg.com](mailto:customerservice@redgearmfg.com)
- All claims must be made to RedGear within 30 days from date of shipment.

### **Return Material Authorization (RMA): No RMAs are processed after 2:00 p.m. EST**

#### **Warranty RMA Procedure**

1. An RMA will be generated by our Customer Service Department and emailed to you.
2. Once the part has shipped, the invoice is emailed to you.
3. You must include the RMA in the box with the returned part and a note indicating the failure.
4. When the part arrives at RedGear, the Technical Department will inspect the returned item for physical damage.
5. Pending approval from our Technical Department, Accounting will email the credit for the amount of the part, but **NOT THE FREIGHT**.

#### **Note:**

- All shipping charges are the responsibility of the customer returning the parts.
- Parts must be returned to RedGear within 30 days to receive a credit or a replacement.
- If order was prepaid with credit card, defective parts must be returned prior to replacement being shipped.

#### **Return RMA Procedure**

1. An RMA will be generated by our Customer Service Department and emailed to you.
2. You must include a copy of the RMA in the box with the returned part, and a note indicating the reason for the return.
3. When the part arrives at RedGear, the Technical Department will inspect the returned item for physical damage. Only complete part packages and assemblies as originally purchased can be returned.
4. Pending approval from our Technical Department, Accounting will credit you the amount of the part less the restocking fee and freight.
5. All Non-Warranty returns are subject to a minimum 50% Restocking Charge.

#### **Note:**

- All shipping and restocking charges are the responsibility of the customer returning the parts.

### **Notes:**

1. No discount prices are offered, all prices are as printed in this catalog.
2. Please refer to Terms and Conditions.
3. A \$100.00 USD expediting fee will be charged on all expedited orders.
4. Subject to \$12.00 Handling Fee on all orders.
5. Prices subject to change without notice.
6. All Non-Warranty returns are subject to a minimum 50% Restocking Charge.

**RedGear**<sup>®</sup>



MADE IN THE USA

**ORDER ONLINE**  
RedGearMfg.com

# AIR SAMPLING SMOKE DETECTION PIPE

The ONLY pipe specifically  
listed for air sampling  
smoke detectors

**RedPipe**



**UL Listed for use in Plenum Spaces**

Printed in the U.S.A.