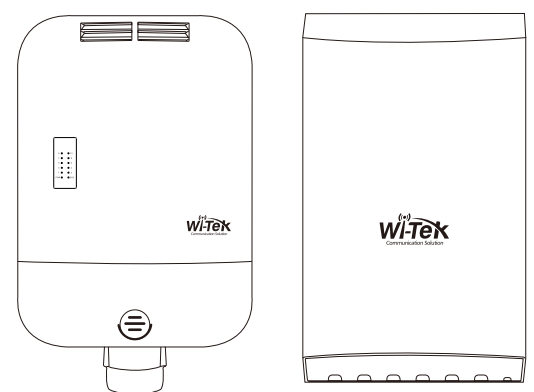


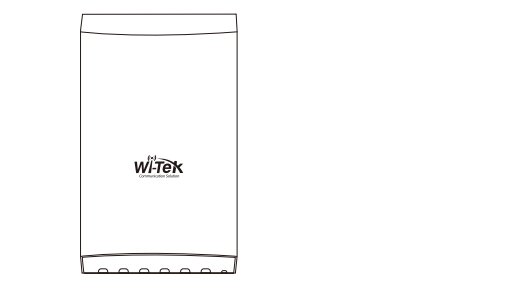
Quick Installation Guide

Outdoor Waterproof PoE Switch

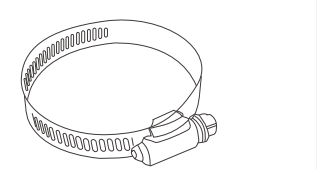


WI-PS205-O | WI-PS209-O | WI-PS306GF-O | WI-PS309GF-O | WI-PS306GF-O-DC

1. Packing Content



1 x Waterproof PoE Switch



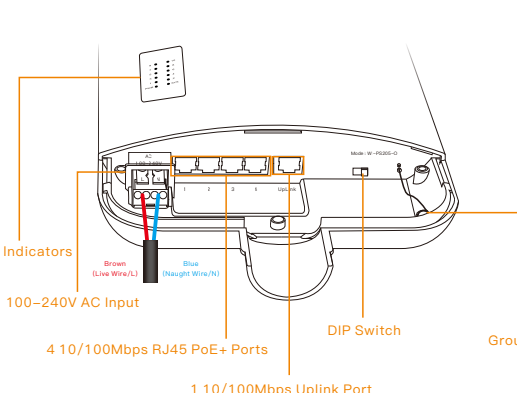
2 x Metal strap
(WI-PS306GF-O-DC has only one Metal strap)



1 x Quick installation guide

2. Appearance Overview

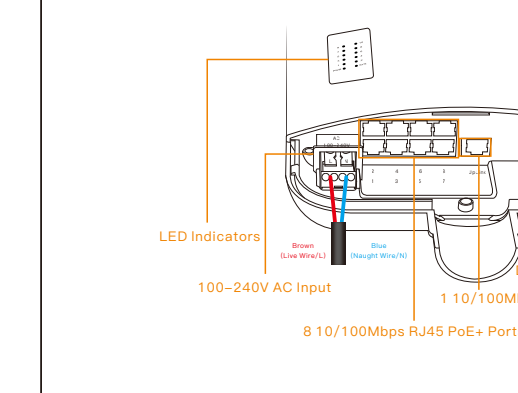
• WI-PS205-O



WI-PS205-O DIP Switch Description	
Default	The transmission distance of PoE port can be up to 100m with 100Mbps
CCTV (VLAN+Extend)	The transmission distance of PoE port can be up to 250m with 10Mbps, and all PoE ports are isolated from each other, but can communicate with uplink ports

LED Indicators	Description
PWR	Solid on: The device power on is normal Off: The device is power off or failed
UP (Uplink)	Blinking: Data on TX/RX Solid on: Uplink port link down
P1/P2/P3/P4: PoE Power	Solid on: The power is working Off: The power is not working
1/2/3/4: Link	Blinking: The Data on TX/RX Solid on: The port link down

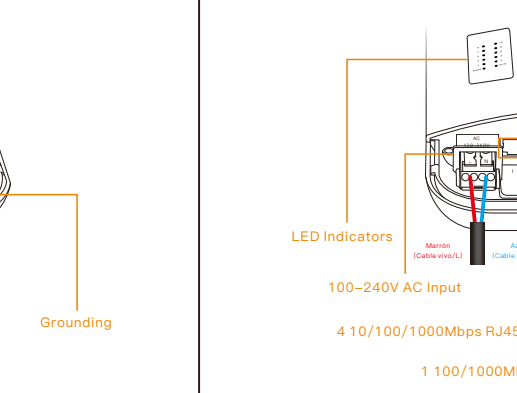
• WI-PS209-O



WI-PS209-O DIP Switch Description	
Default	The speed of PoE ports can be auto negotiated based on distance (Distance < 100 meters, 100Mbps; Distance >= 100 meters, 10Mbps)
VLAN	All PoE ports are isolated from each other, but can communicate with uplink ports

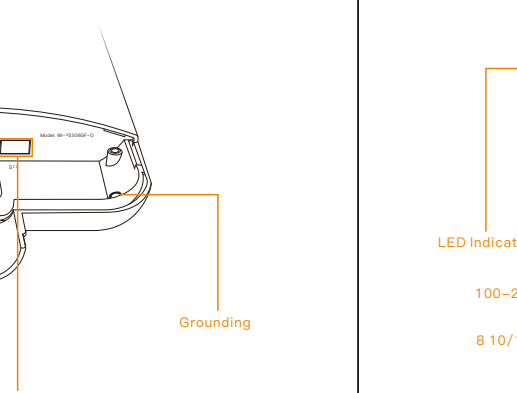
LED Indicators	Description
PWR	Solid on: The device power on is normal Off: The device is power off or failed
UP (Uplink)	Blinking: Data on TX/RX Solid on: Uplink port link down
1/2/3/4/5/6/7/8: Power + Data	Blinking: Data on TX/RX Solid on: Port link down

• WI-PS306GF-O



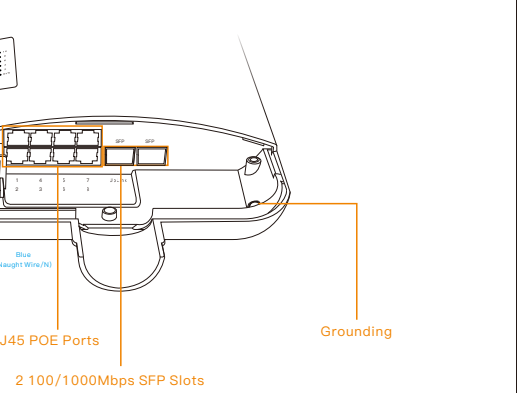
LED Indicators	Description
PWR	Solid on: The device power on is normal Off: The device is power off or failed
UP (Uplink)	Blinking: Data on TX/RX Solid on: Uplink port link down
P1/P2/P3/P4: PoE	Solid on: The power is working Off: The power is not working
1/2/3/4: Link	Blinking: The Data on TX/RX Solid on: The port link down

• WI-PS309GF-O



LED Indicators	Description
PWR	Solid on: The device power on is normal Off: The device is power off or failed
UP (Uplink)	Blinking: Data on TX/RX Solid on: Uplink port link down
1/2/3/4/5/6/7/8: Link	Blinking: The Data on TX/RX Solid on: The port link down

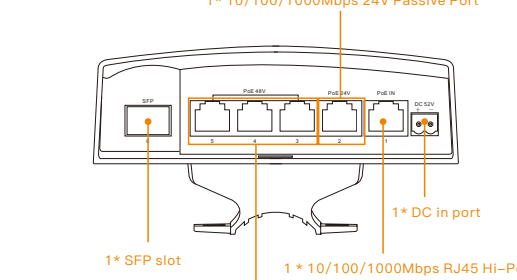
• WI-PS306GF-O-DC



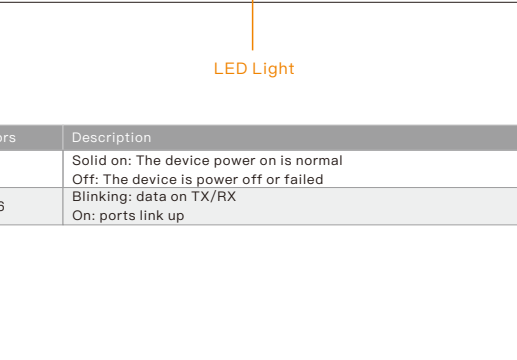
LED Indicators	Description
PWR	Solid on: The device power on is normal Off: The device is power off or failed
UP (Uplink)	Blinking: Data on TX/RX Solid on: Uplink port link down
1/2/3/4/5/6: Link	Blinking: The Data on TX/RX On: ports link up

3. Installation

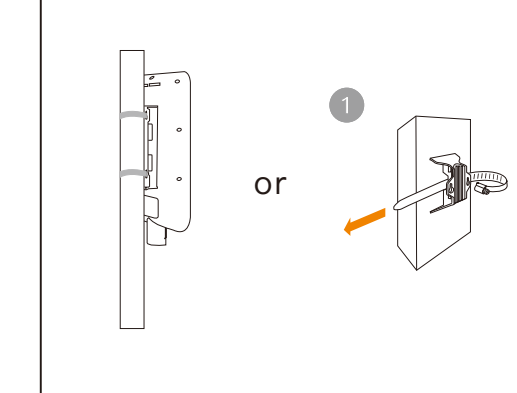
• Pole-mount



• Wall-mount



4. Networking Application



Warranty Card

Username	
Address	
Telephone No.	
Purchase Shop	
Purchase Address	
Product Model No.	
Purchase Time	
Serial No.	
Dealer Signature	

-If the product defects within three months after purchase, we will provide you a new product of the same model.
-If the product defects within the three-year warranty period, we will provide the professional maintenance service.
-Proof of purchase and a complete product serial number are required to receive any services guaranteed as part of the limited warranty.
-Any other defects that are not caused by workmanship or product quality, such as natural disasters, water damage, extreme thermal or environmental conditions, sticker damaged, warranty card losing will disqualify the product from limited warranty.



Wireless-Tek Technology Limited
Address: Biaofan Technology Building 402, Bao'an street, Baoan District, Shenzhen City, Guangdong, China
Website: www.wireless-tek.com
Tel: 86-0755-32811290
Email: sales@wireless-tek.com
Technical Support: tech@wireless-tek.com

