

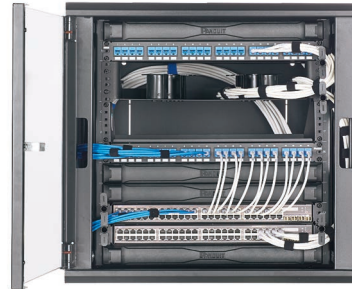
PanZone® Wall Mount Cabinet

PANDUIT®

SPECIFICATION SHEET

specifications

Hinged wall mount cabinet shall be constructed from steel and capable of managing 12, 18, or 26 rack units of active and passive networking equipment. The cabinet shall have hinged doors on front and back for complete access to networking equipment. The cabinet shall have removable and locking side panels. Cabinet shall allow use of standard length patch cords and have capabilities for managing all patch cord slack without blocking ventilation openings or vertical pathways. Cabinet shall be engineered to allow proper climate control for use with various networking equipment including Power over Ethernet (PoE) switches and Uninterrupted Power Supplies (UPS).



technical information

Standards: Accepts 19" EIA rack mount panels and equipment.

Performance: Tested to 2X the working load rating
 12RU 250 lbs.
 18RU 300 lbs.
 26RU 350 lbs.

Packaging: Cabinet and keys, locks, two adjustable #12-24 threaded rails, removable cover panel for vent on top of cabinet, assembly hardware and rear cable routing accessory kit.

Part Number	No. of Rack Units	Height In. (mm)	Width In. (mm)	Depth In. (mm)
PZWMC12*	12	23.8 (605)	25.0 (635)	25.0 (635)
PZWMC1230*	12	23.8 (605)	25.0 (635)	30.0 (762)
PZWMC18*	18	34.0 (864)	25.0 (635)	25.0 (635)
PZWMC1830*	18	34.0 (864)	25.0 (635)	30.0 (762)
PZWMC26*	26	48.1 (1224)	25.0 (635)	25.0 (635)
PZWMC2630*	26	48.1 (1224)	25.0 (635)	30.0 (762)
PZWMC1230WH	12	23.8 (605)	25.0 (635)	30.0 (762)
PZWMC1830WH	18	34.0 (864)	25.0 (635)	30.0 (762)
PZWMC2630WH	26	48.1 (1224)	25.0 (635)	30.0 (762)

key features and benefits

Structurally engineered design Allows cabinet to swing freely for easy operation even under maximum load capacity

Horizontal slack manager (available) Improves cable routing by enabling front accessible moves, adds, and changes; increases airflow through the cabinet because patch cords are no longer in the vertical channel blocking side ventilation

Thermal management system Optimizes airflow for improved heat dissipation from various switches and power supplies

Fan kits (available) Provides additional ventilation for multiple switches or PoE enabled devices; use in cabinets with a windowed door

Adjustable equipment rails (0.9" increments) Increases usable cabinet depth by accommodating various equipment including 1 RU or 2 RU PoE switches up to 26.8" deep. The cabinet will also accommodate 2.3" of room in the front of the cabinet for patch cords and cable management

Rack spaces identification Allows for quick and easy location of rack spaces speeding installation of horizontal rack mount products

Grounding kit (available) Complies with TIA/EIA grounding and bonding specifications

Removable and locking side panels Allows for easy, secured access to installed equipment and cable routing

applications

The PanZone® Wall Mount Cabinet is a zone cabling solution for connecting anywhere from 96 zsecurity is a concern. There are two options for cable routing and management inside the cabinet. The optional horizontal slack manager can be installed between an active network switch and patch panel to manage the patch cords, which is especially useful for high-density applications. This method allows for improved airflow and cooling of network equipment and is of particular benefit for

PoE applications. The second option is to use traditional horizontal cable managers located adjacent to the patch panels to route the patch cords and any slack should be bundled in the cabinet's vertical channel. Optional rear equipment rails provide additional support for network equipment up to 26.8" deep, providing versatility for greater range of applications.

PanZone® Wall Mount Cabinets

Windowed Door: PZWMC12^
 PZWMC1230^
 PZWMC18^
 PZWMC1830^
 PZWMC26^
 PZWMC2630^
White: PZWMC1230WH
 PZWMC1830WH
 PZWMC2630WH

PanZone® Cable Management Options

Horizontal slack manager: PZCHSM2
Cable bend radius post, 3": PZBR3
Cable bend radius post, 3.5": PZBR3.5
Cable bend radius post, 4": PZBR4
Strain relief bracket, 2" offset: SRB19BLY

PanZone® Accessories

Fan kit, 51 cfm: PZCFK
Fan kit, 120 cfm: PZWCMCFKHF
Fan filter replacement: PZCFR
Grounding kit: PZWCMCGK
Rear equipment rails kit, #12-24 threaded: PZWMC12RR
 PZWMC18RR
 PZWMC26RR
 PZWMC12RRWH
 PZWMC18RRWH
 PZWMC26RRWH
White:

Combination Lock Kit: PZWMC-CL

PanZone® Solid UTP Patch Cords**

Cat6A, plenum, plug to plug, blue: UZPPBU
Cat 6, plenum, plug to plug, blue: UPPBU*

PanZone® Solid STP Patch Cords**

Cat6A, plenum, plug to plug, blue: SAPPBU*

Power Strips 19" Horizontal

15 A: P12B01M
20 A: P12B19M

Mini-Com® Ultimate ID® Modular Patch Panels

24-port: UICMPP24BLY
48-port: UICMPP48BLY

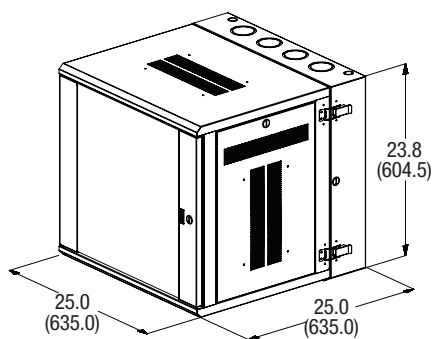
Replace ^ with W for windowed doors or P for perforated doors.

*Zone cords are available in 10 to 100 ft. lengths in 5 ft. increments. And 100 to 150 ft. lengths in 10 ft. increments.

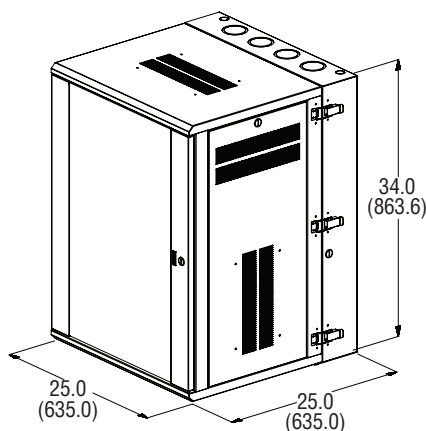
**Plug to Plug versions are listed. Jack to Plug and Jack to Jack options are also available.

PanZone® Wall Mount Cabinet

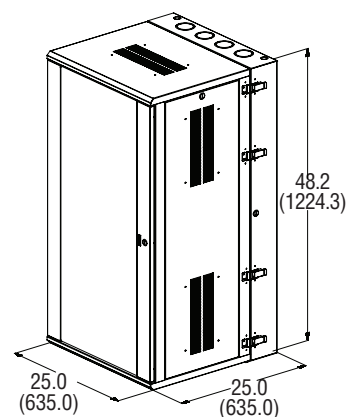
Part Number	Number of Rack Units	Depth In. (mm)	Load Rating Lbs. (kg)	Door
PZWMC12W	12	25 (635)	250 (113.4)	Windowed
PZWMC12P				Perforated
PZWMC1230W		30 (762)		Windowed
PZWMC1230P				Perforated
PZWMC18W	18	25 (635)	300 (136.1)	Windowed
PZWMC1830P				Perforated
PZWMC1830W		30 (762)		Windowed
PZWMC1830P				Perforated
PZWMC26W	26	25 (635)	350 (158.8)	Windowed
PZWMC26P				Perforated
PZWMC2630W		30 (762)		Windowed
PZWMC2630P				Perforated



PZWMC12W – Wall Mount Cabinet with windowed door

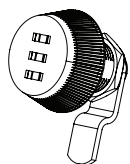


PZWMC18W – Wall Mount Cabinet with windowed door

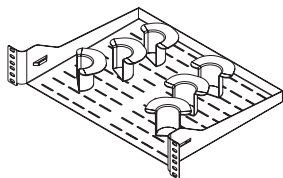


PZWMC26W – Wall Mount Cabinet with windowed door

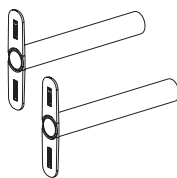
PanZone® Wall Mount Cabinet Cable Management Options and Accessories



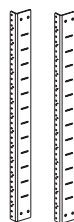
**PZWMC-CL
Combination
Lock**



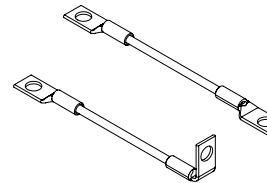
**PZCHSM2
Horizontal Slack
Manager, 2 RU**



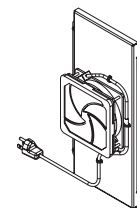
**PZBR4
4" Bend Radius
Post Kit**



PZWMCRR
Rear Equipment
Rail Kit**



**PZWMC GK
Grounding Kit**



**PZCFK
Fan Kit**

**12, 18, or 26 to align with Wall Mount Cabinet size. Dimensions are in inches. [Dimensions in parenthesis are metric]

WORLDWIDE SUBSIDIARIES AND SALES OFFICES

PANDUIT US/CANADA
Phone: 800.777.3300

PANDUIT EUROPE LTD.
London, UK
Phone: 44.20.8601.7200

PANDUIT SINGAPORE PTE. LTD.
Republic of Singapore
Phone: 65.6305.7575

PANDUIT JAPAN
Tokyo, Japan
Phone: 81.3.6863.6000

PANDUIT LATIN AMERICA
Guadalajara, Mexico
Phone: 52.33.3777.6000

PANDUIT AUSTRALIA PTY. LTD.
Victoria, Australia
Phone: 61.3.9794.9020

For a copy of Panduit product warranties, log on to www.panduit.com/warranty

For more information

Visit us at www.panduit.com

Contact Customer Service by email: cs@panduit.com
or by phone: 800.777.3300

PANDUIT®

© 2019 Panduit Corp.
ALL RIGHTS RESERVED.
ZCSP31--WW-ENG
10/2019