



PW-6000

(PW6K1IC)

**Intelligent Controller
and System**

Installation and Configuration Guide

Copyright© 2013 Honeywell. All rights reserved.

All product and brand names are the service marks, trademarks, registered trademarks, or registered service marks of their respective owners. Printed in the United States of America. Honeywell reserves the right to change any information in this document at any time without prior notice.

Pro-Watch[®] is a trademark of Honeywell, Inc.

Ordering Information

Please contact your local Honeywell representative or visit us on the web at www.honeywellintegrated.com for information about ordering.

Feedback

Honeywell appreciates your comments about this manual. Please visit us on the web at www.honeywellintegrated.com to post your comments.

CONTENTS



Chapter 1 PW-6000 Installation

1 Notices	2
1.1 Warnings and Cautions	2
1.2 UL/ULC Warnings	3
1.3 Damage During Shipment	4
1.4 Electro Static Discharge	4
1.5 Disclaimer – Product Liability; Mutual Indemnification	5
1.6 Unpacking Procedure	5
1.7 Shipping Instructions	6
1.8 Limited Warranty	6
1.9 Confidentiality	7
1.10 Compliance	7
1.11 Recommended testing and maintenance	8
2 Product Overview	8
2.1 PW-6000 and PW-5000	9
2.2 Port Settings	9
2.3 Other	9
3 Setting Up the PW-6000 Hardware	11
3.1 Setting the Jumpers	11
3.2 Setting the DIP Switches	12
3.3 Technical Specifications	14
3.4 Status LEDs	15
3.5 Supplying Power to the PW-6000 Interface	16
3.6 Communications Wiring	17
3.7 Cabinet Tamper and Power Failure Input Wiring	17
3.8 Memory and Real Time Clock Backup Battery	18
4 System Configuration via Web Interface	18
4.1 Connecting to ACDSM for the First Time	18
4.2 Login Page	19
4.3 Home Page	19
4.4 Network Settings	20
4.5 Host Port	21
4.6 Device Information	25
4.7 User Configuration	26

4.8 Restore Default Screen.....	27
4.9 Apply Setting Screen.....	28
4.10 Log Out.....	28

**Appendix A PW-6000 Web Server and
Pro-Watch Channels**

Appendix B SNET Reader Settings

PW-6000 Installation



1

In this chapter...

Notices	2
Product Overview	8
Setting Up the PW-6000 Hardware	11
System Configuration via Web Interface	18

1 Notices

Wiring methods shall be in accordance with the National Electrical Code (ANSI/NFPA70), Canadian Electrical Code, Part I (CSA C22.1) Safety Standard for Electrical Installations, local codes, and the authorities having jurisdiction.



Caution: Disconnect power before servicing.

ATTENTION: Débranchez l'alimentation électrique avant l'entretien.

1.1 Warnings and Cautions



Note: See the Remote Enclosure Installation Manuals PW5K2ENC1/PW5K2ENC2 or PW5K1ENC3 (not evaluated by UL) for installation instructions.

1.1.1 Before Installation



Warning: Before installation, **TURN OFF** the external circuit breaker which supplies power to the system.

AVERTISSEMENT: Avant de procéder à l'installation, **DESENCLANCHER** le disjoncteur via lequel le système est alimenté.

Before connecting the device to the power supply, verify that the output voltage is within specifications of the power supply (see '[Technical Specifications](#)' on page 14).

Do not apply power to the system until **after** the installation has been completed. Personal injury or death can occur, and the equipment can be damaged beyond repair, if this precaution is not observed.

1.1.2 Fire Safety and Liability Notice (Not Evaluated by UL for fire, life safety, or burglary application)



Warning: Never connect card readers to any critical entry, exit door, barrier, elevator or gate without providing **an alternative exit** in accordance with all the fire and life safety codes pertinent to the installation.

AVERTISSEMENT: Ne jamais connecter de lecteur de carte en un point critique (porte de sortie, barrière, ascenseur ou portillon) sans proposer une autre sortie, ce afin de respecter la réglementation en vigueur en matière d'incendie et de protection des vies humaines, afférente à l'installation.

These fire and safety codes vary from city to city and you must get approval from local fire officials whenever using an electronic product to control a door or other barrier. Use of egress buttons, for example, may be illegal in some cities. In most applications, single action exit without prior knowledge of what to do is a life safety requirement. Always make certain that any required approvals are obtained in writing. **DO NOT ACCEPT VERBAL APPROVALS SINCE THEY ARE NOT VALID.**

Honeywell Integrated Security never recommends using the PW-6000 or related products for use as a primary warning or monitoring system. Primary warning or monitoring systems should always meet the local fire and safety code requirements.

Failure to test a system regularly could make the installer liable for damages to the end user if a problem occurs.

1.1.3 Earth Grounding



Warning: The earth ground is connected at the factory and should not be removed.

AVERTISSEMENT: La prise de terre est reliée à l'usine et ne doit pas être retirée

1.1.4 Use Suppressors



Warning: Use suppressors on all door strikes. Use S-4 suppressors for installation. Honeywell Integrated Security, Inc. recommends only DC strikes.

AVERTISSEMENT: Employer des supprimeurs de surtensions transitoires (S-4) sur toutes les gâches de porte. Honeywell Integrated Security recommande l'utilisation exclusive de gâches électriques à courant continu.

1.2 UL/ULC Warnings

The following applies to installations that require UL or ULC compliance:

Only UL/ULC Listed readers with standard Wiegand data output communication format (protocol) have been evaluated for use with this system.

This product is intended to be installed indoors, within the protected premises.

Access Control System, Model PW6000, and Controller, Model PW6K1IC meet the requirements for CAN/ULC-S319-05 Equipment Class 1. This product's compliance to ULC-S319, Electronic Access Control Systems, will be considered invalidated through the use of any add-on, expansion, memory or other module manufactured or supplied by the manufacturer or manufacturer's representative, unless specifically evaluated by ULC.

All unused conduit holes must be properly plated or incorporate a Listed plug to fill any voids.

All interconnecting devices must be UL/ULC Listed.

Refer to the following Installation manuals for installation, connection, programming, and operation instructions of the following sub-assemblies:

Assembly Number	Installation Manual Part Number
PW6K1IC	800-00005V3
PW6K1R2	800-01951V4
PW6K1IN	800-01952V1
PW6KOUT	800-01953V1

Assembly Number	Installation Manual Part Number
PW5K2ENC1 and PW5K2ENC2	800-06952
PW5K1ENC3	800-06955V1
PW5K2ENC5	800-08421
PW6K2E2PS	800-08279V3



Note: Not Evaluated by UL for fire, life safety, or burglary applications.

The earth ground is connected at the factory and should not be removed.

Do Not Connect To A Receptacle Controlled By A Switch.

Replacement 3 volt lithium coin cell must be one of the following:

Rayovac: BR2325 or BR2335-B

All interconnecting wire must be UL/ULC Listed, rated and suitable for the use.

The battery leads and primary AC main power wiring is non-power limited. This wiring must be separated from all other wiring by at least 0.25" and cannot be installed in the same conduit as any other power limited wiring.

The system must be configured to activate an alarm or trouble signal. Failure to do so will not allow the access function to operate in the event of a tamper.

1.3 Damage During Shipment



Caution: IF ANY DAMAGE TO THE SHIPMENT IS NOTICED, A CLAIM MUST BE FILED WITH THE COMMERCIAL CARRIER RESPONSIBLE FOR THE DAMAGE.

ATTENTION: SI L'EQUIPEMENT A SUBI DES DOMMAGES LORS DE SON TRANSPORT, ADRESSER UNE RECLAMATION AU TRANSPORTEUR RESPONSABLE.

1.4 Electro Static Discharge



Caution: Electro-static discharge (ESD) can damage CMOS integrated circuits and modules.

To prevent damage always follow these procedures:

- Use static shield packaging and containers to transport all electronic components, including completed reader assemblies.
- Handle all ESD sensitive components at an approved static-controlled workstation. These workstations consist of a desk mat, floor mat and an ESD wrist strap. Workstations are available from various vendors.

ATTENTION: Des décharges électrostatiques peuvent endommager les modules et circuits intégrés CMOS.



Note: This equipment has been tested and found to comply with the limits for a Class A digital device, pursuant to part 15 of the FCC Rules. These limits are designed to provide reasonable protection against harmful interference when the equipment is operated in a commercial environment. This equipment generates, uses, and can radiate radio frequency energy and, if not installed and used in accordance with the installation and user guides, may cause harmful interference to radio communications. Operation of this equipment in a residential area is likely to cause harmful interference in which case the user will be required to correct the interference at his own expense.



Note: This document and the data in it shall not be duplicated, used or disclosed to others for procurement or manufacturing, except as authorized by and with the written permission of Honeywell Integrated Security, Inc. The information contained in this document or in the product itself is the exclusive property and trade secrets of Honeywell Integrated Security, Inc. Copyright laws of the United States protect all information in this document or in the software product itself.



Note: Any use of this product is subject to the terms and acceptance of the Honeywell Integrated Security, Inc. Software Agreement. Please request a copy from Honeywell Integrated Security, Inc. (<http://www.honeywellintegrated.com/index.html>), and review the agreement carefully.

1.5 Disclaimer – Product Liability; Mutual Indemnification

If a Customer receives a claim that a Product or any component thereof has caused personal injury or damage to the property of others, Customer shall immediately notify Honeywell Integrated Security in writing of all such claims. Honeywell Integrated Security shall defend or settle such claims and shall indemnify and hold Customer harmless for any costs or damages including reasonable attorneys' fees which Customer may be required to pay as a result of the defective Product or the negligence of Honeywell Integrated Security, its agents, or its employees.

Customer shall hold harmless and indemnify Honeywell Integrated Security from and against all claims, demands, losses and liability arising out of damage to property or injury to persons occasioned by or in connection with the acts or omissions of Customer and its agents and employees, and from and against all claims, demands, losses and liability for costs of fees, including reasonable attorneys' fees, in connection therewith.

1.6 Unpacking Procedure



Caution: If any damage to the shipment is noticed before unpacking, a claim must be filed with the commercial carrier.

ATTENTION: SI L'EQUIPEMENT A SUBI DES DOMMAGES LORS DE SON TRANSPORT, ADRESSER UNE RECLAMATION AU TRANSPORTEUR RESPONSABLE.

All containers should be opened and unpacked carefully in order to prevent damage to the contents.

Follow these steps to unpack equipment in preparation for installation:

1. Open the container and remove the unit(s) and all packing material. Retain the container and all the packing materials. They may be used again for reshipment of the equipment, if needed.
2. Inspect the contents to see if anything is missing. If you notice any missing items, contact the order entry department at 1-800-323-4576 Option-1.
3. Visually check the contents. If you see any damage, do the following:
 - a. If shipping has caused damage to the unit, a claim must be filed with the commercial carrier.
 - b. If any other defect is apparent, call for a return authorization.

1.7 Shipping Instructions

To ship equipment back to Honeywell Integrated Security, contact the customer service department at 1-800-323-4576 before returning the equipment. When you call, please have available:

- A description of the problem or the reason you are returning the equipment.
- Your original purchase order number, invoice number and if the unit is still under warranty.
- A new purchase order number if the unit is not under warranty

From the customer service department, obtain the **Return Authorization Number (RMA)**.

Show the RMA number on all packages shipped. Packages, which are not marked with an RMA number will be refused at the factory and returned to you **COD**.

Carefully pack the equipment for shipment. Use the original packing material whenever possible

1.8 Limited Warranty

All Products sold or licensed by Honeywell Integrated Security include a **warranty registration card** which must be completed and returned to Honeywell Integrated Security by or on behalf of the end user for Honeywell Integrated Security to provide warranty service, repair, credit or exchange. All warranty work shall be handled through Customer which shall notify Honeywell Integrated Security and apply for a Return Merchandise Authorization (RMA) number prior to returning any Product for service, repair, credit or exchange. Honeywell Integrated Security warrants that its Products shall be free from defects in materials and workmanship for a period of two years from the date of shipment of the Product to Customer. The warranty on Terminals, Printers, Communications Products and Upgrade kits is 90 days from the date of shipment. Satisfaction of this warranty shall be limited to repair or replacement of Products which are defective or defective under normal use. Honeywell Integrated Security's warranty shall not extend to any Product which, upon examination, is determined to be defective as a result of misuse, improper storage, incorrect installation, operation or maintenance, alteration, modification, accident or unusual deterioration of the Product due to physical environments in excess of the limits set forth in Product manuals. **THERE ARE NO WARRANTIES WHICH EXTEND**

BEYOND THIS PROVISION. THIS WARRANTY IS IN LIEU OF ALL OTHER WARRANTIES WHETHER EXPRESS, IMPLIED OR STATUTORY, INCLUDING IMPLIED WARRANTIES OF MERCHANTABILITY OR FITNESS FOR ANY PARTICULAR PURPOSE. NO REPRESENTATION OR WARRANTY OF THE DISTRIBUTOR SHALL EXTEND THE LIABILITY OR RESPONSIBILITY OF THE MANUFACTURER BEYOND THE TERMS OF THIS PROVISION. IN NO EVENT SHALL HONEYWELL INTEGRATED SECURITY BE LIABLE FOR ANY RE-PROCUREMENT COSTS, LOSS OF PROFITS, LOSS OF USE, INCIDENTAL, CONSEQUENTIAL OR SPECIAL DAMAGES TO ANY PERSON RESULTING FROM THE USE OF HONEYWELL INTEGRATED SECURITY'S PRODUCTS.

1.9 Confidentiality

All software, drawings, diagrams, specifications, catalogs, literature, manuals and other materials furnished by Honeywell Integrated Security relating to the design, use and service of the Products shall remain confidential and shall constitute the proprietary rights of Honeywell Integrated Security and Customer agrees to treat such information as confidential. Customer shall acquire no rights in the design of the Products or the related materials except to use such information solely for the purpose of and only during the time it sells the Products.

Customer shall not copy the design of any of the Products or use or cause to be used any Product design or related materials for its own benefit or for the benefit of any other party. The covenants contained in this section shall remain effective throughout the term of this Agreement and thereafter unless specifically waived by Honeywell Integrated Security in writing.

1.10 Compliance

This Class A digital apparatus complies with Canadian ICES-003.

Cet appareil numérique de la classe A est conforme à la norme NMB- 003 du Canada.

To obtain applicable EU compliance Declaration of Conformities for this product, please refer to our website,

<http://www.security.honeywell.com/hsce/international/index.html>.

For any additional information regarding the compliance of this product to any EU-specific requirements, please contact:

Honeywell Security & Communications

Honeywell Security - Quality Assurance Dept., Newhouse Industrial Estate

Motherwell

Lanarkshire ML1 5SB

Scotland

United Kingdom

Tel: +44(0) 1698 738200

Email: UK64Sales@Honeywell.com

1.11 Recommended testing and maintenance.

Perform the following on a semi-annual basis. Disconnect power from the enclosure, open the enclosure door and inspect the system including the DC battery. Replace the DC battery if it shows any sign of corrosion or leakage or if the battery is 2 years old or older. Oil the lock cylinder. Close the panel and re-apply power.

2 Product Overview

The Intelligent Controller is the heart of the PW-6000 and provides the real time processing for the connected I/O interfaces.

The PW-6000 is designed to operate without the need for a PC. It can be connected to a Pro-Watch host computer using direct serial communication, dial-up modem, or TCP/IP network connection. The PW-6000 holds the database for the subsystem configuration and card holders, and the event log buffer, which is in battery-backed memory.



Notes:

- Please refer to the *Pro-Watch Software Suite Guide* for details on using the Pro-Watch interface.
- The optional Lantronix Cobox-Micro interface daughter board and dial-up modem have not been tested to comply with UL 294 and cannot be used on UL 294 approved installations.

2.1 PW-6000 and PW-5000

- The PW-6000 controller configuration and operation is similar to the PW-5000 controller; both use the Pro-Watch at the front end.



Note: The PW6K1IC controller is compatible with the following Honeywell modules: PW6K1R2, PW6K1IN, and PW6K1OUT. The PW6K1IC is also compatible with the following PW5K assemblies but they have not been evaluated by UL for S-319: PW5K1R1, PW5K1R2, PW5K1IN, PW5K1OUT.

2.2 Port Settings

- **Port 0** provides the host-embedded Ethernet interface.
- **Port 1** is for RS-232 or RS-485 2-wire serial interface connections. An optional Lantronix CoBox-Micro interface daughter board (10Base-T/100Base-TX) is also supported on Port 1.
- **Ports 2 and 3** are for RS-485 2-wire downstream support for connecting 32 I/O devices. Note that the I/O communications must be mapped differently in Pro-Watch, according to the following table:

PW-6000 Port	Pro-Watch Port
2	4
3	6

See Table 1 '[PW-6000 Jumper Settings](#)' on page 11 for more information on how to configure the port settings.

2.3 Other

- An on-board real time clock maintains the date and time, taking into account leap year and accounting for global time zones and daylight savings time changes.
- The database for the system configuration and card holders are stored in FLASH memory.
- The event log buffer is stored in battery-backed memory.
- Configuration data and event/status reports are communicated to the host via on-board 10-BaseT/100Base-TX Ethernet port or Port 1.
- Transactions are stored in 1 MB of battery-backed SRAM. The maximum number of transactions stored while the host is offline is 50,000.
- Cards are stored in Flash memory and read into DRAM when the board is powered up. The amount of storage available for cards and biometric records is 15 MB. The maximum number of cards depends on the card record database configuration, but the number is approximately 300,000. This maximum is dependent on how the card is configured with more space per card used with longer card number, more clearance codes, and so on.

3 Setting Up the PW-6000 Hardware

The PW-6000 processor is configured with 12 jumpers and a set of 4 DIP switches. These jumpers/switches set up the port interface, end of line termination, and operating mode configuration. Refer to the tables below to set the jumpers as required.

3.1 Setting the Jumpers

Table 1 PW-6000 Jumper Settings

Jumpers	Set At	Description
J1	N/A	10Base-T/100Base-TX Ethernet Connection (Port 0)
J2	N/A	Factory Use Only
J3	OFF	Port 2 RS-485 EOL Terminator is OFF
	ON	Port 2 RS-485 EOL Terminator is ON
J4	OFF	Port 3 RS-485 EOL Terminator is OFF
	ON	Port 3 RS-485 EOL Terminator is ON
J5	OFF	Port 1 RS-485 EOL Terminator is OFF
	ON	Port 1 RS-485 EOL Terminator is ON
J6	N/A	Factory Use Only
J7	N/A	COBOX-MICRO Ethernet Module Connection (Port 1)
J8, J9, J10	232	Port 1 is RS-232
	485	Port 1 is RS-485
J11	N/A	Factory Use Only
J12	N/A	Factory Use Only

3.2 Setting the DIP Switches

Dual In-line Package (DIP) switches are read when the system powers up, except where noted otherwise. The following table shows the setting options.

Table 2 PW-6000 DIP Switch Settings


S1	S2	S3	S4	Selection
OFF	OFF	OFF	OFF	Normal Operating Mode.
ON	OFF	OFF	OFF	When DIP switch 1 is ON, Port 0 communicates with the web browser. Port 1 is used for RS-232/485 communications. After the panel initialization, enable the default user name (admin) and password (password). The user name and password are read dynamically; you do not need to reboot the panel.
OFF	ON	OFF	OFF	Use the factory default communication parameters.
ON	ON	OFF	OFF	Unless the network administrator reserves an IP address for the panel (based on the controller board's Media Access Control (MAC) address), the PW-6000 uses Dynamic Host Configuration Protocol (DHCP) to obtain an IP address from the network DHCP server. When power is applied with the switches in this position, there is a ten second window (when LEDs 1 and 2 flash alternately with LEDs 3 and 4), during which memory is cleared if switch 1 or switch 2 is changed to OFF. When switch 1 or 2 is changed to OFF, only LED 2 flashes and memory begins to be cleared. This period of clearing lasts several minutes. When the memory has been cleared, the LED pattern changes to the flashing of LEDs 1 and 4. The panel then reboots by itself. All data in memory is erased except the serial number, MAC address, hardware revision, and OEM code.

The PW-6000 DIP switches need to be set twice:

1. Configure the **S4-S3-S2-S1** DIP switches to **off-off-on-off** to set the default TCP/IP address to 192.168.0.251.
2. Apply power to the panel to set the IP address.
3. Change the **S4-S3-S2-S1** combination to **off-off-off-on**. (DIP switch 1 is “read on the fly”). This sets the login to the default user ID (“admin”) and password (“password”) for Ethernet communications.
4. Create users. See '[User Configuration](#)' on page 26 for instructions.
5. Set the **S4-S3-S2-S1** combination to **off-off-off-off**.
6. Configure the host port for TCP/IP and/or Serial communications. See '[Host Port](#)' on page 21 for instructions. This will enable both TCP/IP and serial hardware networking when you log in again.

3.3 Technical Specifications

Table 3 PW-6000 Technical Specifications

Category	Description										
	WARNING: PW-6000 is manufactured for use in low-voltage, Class 2 power-limited circuits only. AVERTISSEMENT: Le PW-6000 est conçu pour un usage en basse tension, des circuits de classe 2 puissance limitée.										
Primary Power	12Vdc ± 10%, 300mA maximum. 12Vdc @ 240mA (325mA with CoBox-Micro) nominal (Not Evaluated by UL/ULC).										
Memory and Clock Backup	3Volts Lithium, type BR2325, BR2330, CR2330.										
Ports	<table border="0"> <tr> <td>Port 0</td> <td>10Base-T/100Base-TX Ethernet.</td> </tr> <tr> <td>Port 1</td> <td>RS-232 or 2-wire RS-485: 9,600 to 115,200 bps, async. An optional Lantronix CoBox-Micro interface daughter board is supported (10Base-T/100Base-TX -- Not Evaluated by UL/ULC).</td> </tr> <tr> <td>Port 2 & 3</td> <td>2-wire RS-485: 2,400 to 38,400 bps, async.</td> </tr> </table>	Port 0	10Base-T/100Base-TX Ethernet.	Port 1	RS-232 or 2-wire RS-485: 9,600 to 115,200 bps, async. An optional Lantronix CoBox-Micro interface daughter board is supported (10Base-T/100Base-TX -- Not Evaluated by UL/ULC).	Port 2 & 3	2-wire RS-485: 2,400 to 38,400 bps, async.				
Port 0	10Base-T/100Base-TX Ethernet.										
Port 1	RS-232 or 2-wire RS-485: 9,600 to 115,200 bps, async. An optional Lantronix CoBox-Micro interface daughter board is supported (10Base-T/100Base-TX -- Not Evaluated by UL/ULC).										
Port 2 & 3	2-wire RS-485: 2,400 to 38,400 bps, async.										
Inputs	2 non-supervised, dedicated for cabinet tamper and power fault monitoring.										
Cable requirements	<table border="0"> <tr> <td>Power:</td> <td>1 twisted pair, 18 AWG.</td> </tr> <tr> <td>RS-485:</td> <td>24AWG, 4,000ft (1,200m) maximum, twisted pair with shield. 120 ohm.</td> </tr> <tr> <td>RS-232:</td> <td>24AWG, 25ft (7.6m) maximum.</td> </tr> <tr> <td>Ethernet:</td> <td>Cat 5.</td> </tr> <tr> <td>Input:</td> <td>1 twisted pair, 30 ohms maximum.</td> </tr> </table>	Power:	1 twisted pair, 18 AWG.	RS-485:	24AWG, 4,000ft (1,200m) maximum, twisted pair with shield. 120 ohm.	RS-232:	24AWG, 25ft (7.6m) maximum.	Ethernet:	Cat 5.	Input:	1 twisted pair, 30 ohms maximum.
Power:	1 twisted pair, 18 AWG.										
RS-485:	24AWG, 4,000ft (1,200m) maximum, twisted pair with shield. 120 ohm.										
RS-232:	24AWG, 25ft (7.6m) maximum.										
Ethernet:	Cat 5.										
Input:	1 twisted pair, 30 ohms maximum.										
Environmental	<table border="0"> <tr> <td>Temperature:</td> <td>0 to 49°C, operating -55 to +85°C, storage</td> </tr> <tr> <td>Humidity:</td> <td>0 to 85% RHNC</td> </tr> </table>	Temperature:	0 to 49°C, operating -55 to +85°C, storage	Humidity:	0 to 85% RHNC						
Temperature:	0 to 49°C, operating -55 to +85°C, storage										
Humidity:	0 to 85% RHNC										
Mechanical	<table border="0"> <tr> <td>Dimensions:</td> <td>5.5 in. (137.7mm) W x 9 in. (228.64mm) L x .75 in. (19.05mm) H</td> </tr> <tr> <td>Weight:</td> <td>7.1 oz. (201 gm) nominal</td> </tr> </table>	Dimensions:	5.5 in. (137.7mm) W x 9 in. (228.64mm) L x .75 in. (19.05mm) H	Weight:	7.1 oz. (201 gm) nominal						
Dimensions:	5.5 in. (137.7mm) W x 9 in. (228.64mm) L x .75 in. (19.05mm) H										
Weight:	7.1 oz. (201 gm) nominal										
Lantronix NIC support	<table border="0"> <tr> <td>Standoff size</td> <td>Diameter 0.125 inch x 0.4375 inch long</td> </tr> <tr> <td>Richco Plastics part number</td> <td>LMSP-7-01, 3 pieces (not supplied)</td> </tr> </table>	Standoff size	Diameter 0.125 inch x 0.4375 inch long	Richco Plastics part number	LMSP-7-01, 3 pieces (not supplied)						
Standoff size	Diameter 0.125 inch x 0.4375 inch long										
Richco Plastics part number	LMSP-7-01, 3 pieces (not supplied)										
Specifications subject to change without notice.											



Caution: Locate the power source as close to this board as possible. Connect power with minimum of 18AWG wires.

ATTENTION: Placez la source d'alimentation au plus proche de la carte électronique. Connectez l'alimentation avec des fils d'un minimum de 18 AWG.



Note: POLARITY for 12 VDC power is important. Make sure the +12 VDC is connected to the terminal labeled +12V and the return is connected to the terminal labeled GND.

3.4 Status LEDs

The PW-6000 uses six on-board LEDs to provide status information during its initialization sequence and normal run-time operation.

3.4.1 Initialization

Table 4 PW-6000 Status LED Combinations During Initialization

LED 1	LED 2	LED 3	LED 4	LED 5	LED 6	Description
ON	OFF	OFF	OFF	OFF	OFF	Basic processor initialization
ON	ON	OFF	OFF	OFF	OFF	Internal SRAM test
ON	OFF	ON	OFF	OFF	OFF	External SDRAM, First Chip
ON	ON	ON	OFF	OFF	OFF	External FLASH Test
ON	OFF	OFF	ON	OFF	OFF	External SDRAM, Second
ON	ON	OFF	ON	OFF	OFF	External SRAM Test
ON	OFF	ON	ON	OFF	OFF	External EEPROM Test
ON	ON	ON	ON	OFF	OFF	External RTC Test
ON	OFF	OFF	OFF	ON	OFF	Backup Battery and Reset
ON	ON	OFF	OFF	ON	OFF	UART Test
ON	OFF	ON	OFF	ON	OFF	Ethernet Interface, MII
OFF	ON	X	X	X	X	Final processor Initialization

3.4.2 Run Time Supplying Power to the PW-6000 Interface

Table 5 PW-6000 Status LED Combinations During Run Time

LED	Description
1	Off-Line / On-Line and Battery Status
	Off-Line = 20% On, ON-Line = 80% On
	Double Flash means the Battery is Low
2	Primary Host Communication Activity (Ethernet or Port 1)
3	Port 2 Communication Activity
4	Port 3 Communication Activity
5	ON = Writing to Flash Memory. Do NOT cut off power when this LED is ON.
6	TBD
SPD	On-Board Ethernet Speed. OFF = 10MBS. ON = 100MBS.
ACT	OFF = No On-Board Ethernet Activity. ON = On-Board Ethernet Activity (YELLOW LED).
LNK	OFF = ON Link. ON = Good Link (GREEN LED).

3.5 Supplying Power to the PW-6000 Interface

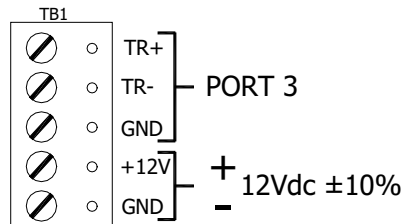
The processor accepts 12Vdc for power. Locate power source as close to the unit as possible and connect it with minimum of 18AWG wires.



Caution: Observe POLARITY on 12 VDC.

ATTENTION: Observez la polarité du 12 VCC

Figure 2: PW-6000 Power Terminals

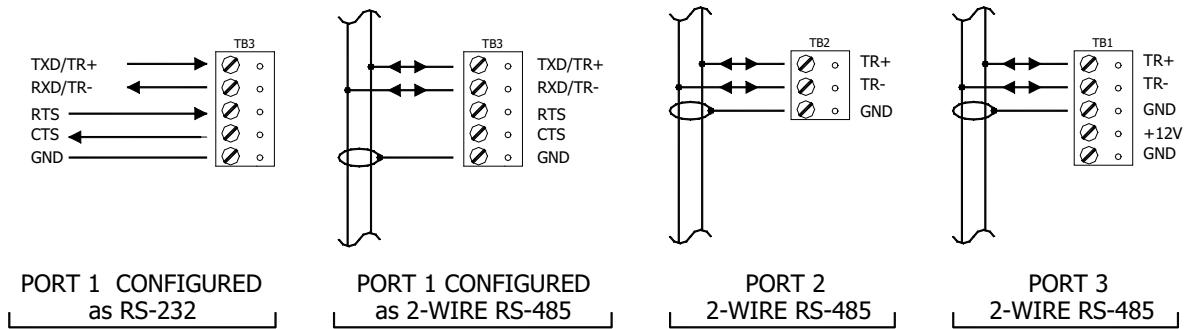


3.6 Communications Wiring

The PW-6000 processor communicates to the host via on-board Ethernet 10Base-T/100Base-TX port or on port 1. Port 1 may be configured as RS-232, two-wire RS-485 or optional Lantronix Ethernet 10Base-T/ 100Base-TX CoBox-Micro interface. The RS-232 interface is for direct one to one connection to a host computer, or a modem.

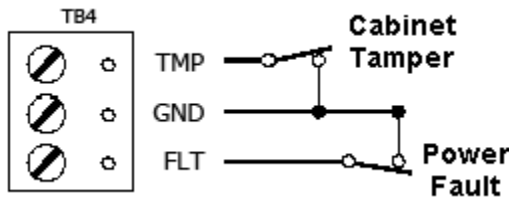
Ports 2 and 3 use the two-wire RS-485 interface only. The interface allows multi-drop communication on a single bus of up to 4,000 feet (1,200 meters). Use shielded twisted pair (minimum 24 AWG) with 120-ohm impedance. Install termination jumpers only at the end-of-line unit.

Figure 3: PW-6000 Port Wiring



3.7 Cabinet Tamper and Power Failure Input Wiring

Figure 4: PW-6000 TMP and FLT Terminals



Inputs TMP and FLT are used for monitoring cabinet tamper and power failure with normally closed contacts. These two inputs are for contact closure monitoring only; do not use end-of-line (EOL) resistor(s). If these inputs are not used, install a short piece of wire at the input to indicate a safe condition.

3.8 Memory and Real Time Clock Backup Battery

The event log buffer and the real time clock are backed up by a 3V lithium battery. This BR2325, BR2330, or CR2330 battery should be replaced annually. A replacement battery may be obtained from Honeywell or a local battery retailer. However, the replacement battery must be UL recognized.



Warning: Battery may explode if mistreated. DO NOT RECHARGE, DISASSEMBLE or DISPOSE OF IN FIRE!

AVERTISSEMENT: La batterie peut éclater si elle est maltraitée. NE PAS RECHARGER, DEMONTER OU JETER AU FEU!

4 System Configuration via Web Interface

The PW-6000 comes with **Access Control Device Server Manager (ACDSM)**. The ACDSM is a built-in web server, through which you can configure network and other system settings.



Notes:

- If you are using Internet Explorer Enhanced Security Configuration, you cannot access the ACDSM web server. All pages will display “Bad Request!” You must uninstall the Enhanced Security option before you can access the ACDSM.
- The default factory-set TCP/IP address for the built-in system configuration web server is **192.168.0.251**

4.1 Connecting to ACDSM for the First Time

1. Use the factory default controller IP address **192.168.0.251**.
2. Set the DIP switches to **S4=OFF, S3=OFF, S2=ON, S1=OFF**.



- Note:** S1 must be set to OFF for the factory default. After the panel powers up, change S1 to ON to enable the use of the default user name and password.
3. Connect the computer to host the web server via Ethernet **Port 0**. Connection should be via crossover Ethernet cable or by the regular Ethernet cables connected via the hub.
 4. Set the host computer to the static IP address **192.168.0.250** to be able to connect to the factory-default PW-6000 controller at address **192.168.0.251**.
 5. Power up the PW-6000 controller.

4.2 Login Page

1. Click the “**Click Here to Login**” link to display the **User Name** and **Password** fields.

Figure 5: PW-6000 Web Server Login Screen



2. Enter your **User Name** and **Password**.

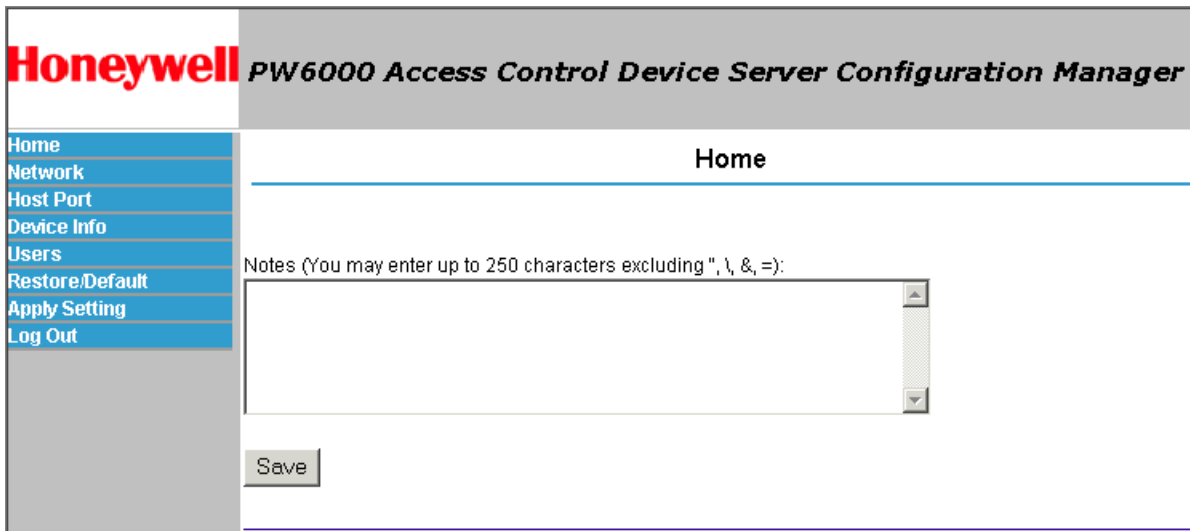
Note: Default User ID is **admin** and the default Password is **password**.



4.3 Home Page

The first screen after the login is the home page which displays all the available configuration links on the left navigation bar:

Figure 6: PW-6000 Web Server Home Page



4.4 Network Settings

Click the **Network** link on the navigation bar to display the Network Settings screen where you can select the appropriate option button for dynamic or static IP address configuration:

Figure 7: PW-6000 Web Server Network Settings Screen

Network Settings: IP Configuration

Use DHCP Method to Obtain IP address automatically

Host Name of This Device: **Dynamic**

(only 0-9, a-z, A-Z, .(dot), -(hyphen) are allowed)

Use Static IP configuration: **Static**

IP Address:

Subnet Mask:

Default Gateway:



Notes:

- The Host Name of This Device field contains the Media Access Control (MAC) address of the PW-6000 controller board.
- The IP address configuration is same as using the Lantronix Ethernet board on a PW-5000. The users can select the **Dynamic IP** option button and reserve an IP address for the MAC address, or they can select the other option button and assign a **Static IP** address as well.

4.4.1 Dynamic IP Configuration Method

1. Click the **Dynamic IP** option button to select the Dynamic Host Configuration Protocol (DHCP) method to obtain IP address automatically.
2. Click **OK**.



Note: The Pro-Watch communicates with the PW-6000 panel using an IP address. If you must use the Dynamic IP option because of your network policies or configuration, you must reserve an IP address at the DHCP server for the MAC (Media Access Control) address in the PW-6000 panel. The MAC address is a unique identifier attached to network adapters. Each time the PW-6000 panel requests an IP address, the DHCP server will assign the address that was reserved for it.

4.4.2 Static IP Configuration Method

1. Click the **Static IP** option button to assign a static IP address, and enter the following information in the appropriate fields:
 - IP Address
 - Subnet Mask
 - Default Gateway
2. Click **OK**.

4.5 Host Port

Click the **Host Port** link on the navigation bar to display the Host Connection Configuration screen where you can select the appropriate settings for the Primary Host Port and Alternate Host Port:



Note: Some of the fields change dynamically depending on the Connection Type selected.

4.5.1 IP Server Connection Type

Figure 8: PW-6000 Host Port Configuration Screen with IP Server Connection

Host Connections Configuration

PW6000 Communication Address:

Primary Host Port

Connection Type: Data Security:

Port Number:

Allow All Authorized IP Address Required

Authorized IP Address:

Alternate Host Port

Connection Type: Data Security:

Baud Rate: Flow Control:

1. From PW6000 Communication Address drop-down list, select one of the eight (0 to 7) available **communication addresses** for the PW-6000 board.



Note: In the previous panels, this selection was made manually by setting the DIP switches.

2. For the **Primary Host Port**, make the following selections:
 - a. **Connection Type.** Select **IP Server** (the standard connection type), so that the Pro-Watch Host will poll the PW-6000 panel. The panel does not currently support the **IP Client** option, which would cause the PW-6000 panel to poll the Pro-Watch Host and the Host to reply to the panel.
 - b. **Data Security.** Select one of the following:
 - **None**
 - **Password/AES** from the drop-down list. If you select **Password/AES**, communications between the Pro-Watch Host and the PW-6000 panel are encrypted. Note that encryption must be enabled in Pro-Watch for the appropriate Pro-Watch channel. See Chapter 7, “Hardware Configuration,” in the *Pro-Watch Guide* for channel encryption instructions.
 - c. **Port Number.** Enter the port number through which the host computer can communicate with the PW-6000 board.
 - d. Select either **Allow All** or the **Authorized IP Address Required** option button.
 - **Allow All**, as the label suggests, allows all IP addresses to communicate with the PW-6000. Select this option for web page browser access.
 - If you select the **Authorized IP Address Required** option, also enter in the **Authorized IP Addresses** fields all the IP addresses that would be allowed to communicate with the PW-6000. Use this option only for Host communication.
3. For the **Alternate Host Port**, make the following selections:
 - a. **Connection Type.** Select one of the following values from the drop-down list: **IP Server**, **Serial-RS232**, **Serial-RS485**, **Serial-Modem**, **Serial-CoBox**. Note that the **IPClient** option is listed, but it is not supported by the panel and should not be selected.
 - b. **Data Security.** Select one of the following values from the drop-down list: **None**, **Password/no AES**, **Password/AES**.
 - c. Select a **Baud Rate** from the drop-down list.
 - d. Select a **Flow Control** from the drop-down list.
4. Click **OK**.

4.5.2 IP Client Connection Type

Figure 9: PW-6000 Host Port Configuration Screen with IP Client Connection

Host Connections Configuration

PW6000 Communication Address:

Primary Host Port

Connection Type:	<input type="text" value="IP Client"/>	Data Security:	<input type="text" value="None"/>
Host IP:	<input type="text"/>	Port Number:	<input type="text"/>
Connection Mode:	<input type="text" value="Continuous"/>	Retry Interval:	<input type="text" value="5sec"/>

Alternate Host Port

Connection Type:	<input type="text" value="Disabled"/>	Data Security:	<input type="text" value="None"/>
------------------	---------------------------------------	----------------	-----------------------------------



Note: The PW-6000 panel does not currently support an IP Client connection.

4.5.3 Serial-RS232, Serial-RS485, Serial-Modem, or Serial-CoBox Connection Types

Figure 10: PW-6000 Host Port Configuration with Serial RS-232 Connection

Host Connections Configuration

PW6000 Communication Address:

Primary Host Port

Connection Type: Data Security:

Baud Rate: Flow Control:

Alternate Host Port

Connection Type: Data Security:

1. From the PW6000 Communication Address drop-down list, select one of the eight (0 to 7) available **communication addresses** for the PW-6000 board.



Note: In the previous panels, this selection was made through setting the virtual DIP switches.

2. For the **Primary Host Port**, make the following selections:
 - a. **Connection Type.** From the drop-down list, select Serial-RS232. Select one of the following as appropriate: **Serial-RS232, Serial-RS495, Serial-Modem, Serial-CoBox.**
 - b. **Data Security.** Select one of the following values from the drop-down list: **None, Password/no AES, Password/AES.**
 - c. Select a **Baud Rate** from the drop-down list.
 - d. Select a **Flow Control** from the drop-down list.

3. For the **Alternate Host Port**, make the following selections:
 - a. **Connection Type**. If you choose to configure an alternate host port, and if you have selected Serial-RS232 for the primary host port, select **IP Server** from the drop-down list for the alternate host port.
 - b. **Data Security**. Select one of the following values from the drop-down list: **None**, **Password/no AES**, **Password/AES**.
 - c. Select a **Baud Rate** from the drop-down list.
 - d. Select a **Flow Control** from the drop-down list.
4. Click **OK**.

4.6 Device Information

Click the **Device Info** link on the navigation bar to display the read-only Access Control Device Hardware Information screen:

Figure 11: PW-6000 Web Server Device HW Info Screen

Access Control Device Hardware Info	
Product ID-Version: 40-8	Firmware Revision: 1.1.8
Serial Number: 0000001	OEM Code: Not Loaded
Hardware ID-Revision: 122-0	CPU: 59MHz Part ID-0x20 Part Revision-1
Ethernet: 10/100 Mbps MAC 00:0F:E5:00:00:00	Host Name of This Device: MAC000FE5000000
Memory: 1 MB of SRAM, 32 MB of SDRAM Flash ID 0x8978456 16 MB of Flash	I2C Bus Devices: RTC is present 256 Byte of EEPROM
Ports: 3 serial ports	Battery: Low
Dip Switch: 1 2 3 4 OFF OFF OFF OFF	
Time: - Local Time: 02-04-2022 Friday 06:58:38 - GMT Time: 02-04-2007 Friday 10:58:38 (+0)	

4.7 User Configuration

Click the **Users** link on the navigation bar to display the User screen where you can add, edit, and delete user records:

Figure 12: PW-6000 Web Server User Info Screen

User

Username	Level	Notes
<input type="checkbox"/> pw6k	1	
<input type="checkbox"/> admin	1	
<input type="checkbox"/> macyt	1	
<input type="checkbox"/> rolandm	2	intern
<input type="checkbox"/> forrestl	1	contractor
<input type="checkbox"/> listerp	1	tech support

EditDeleteNew Account

Session Timer

15 minutes ▾Save Session Timer

Disable Auto-Save

Enable Auto-Save 30 seconds ▾ Save Auto-Save Timer

4.7.1 Adding a User

Follow these steps:

1. Click **New Account** to display the new user account screen.
2. Enter the following:
 - User name – a unique character string that identifies the user.
 - Level – level of privileges the user will have. Level 1 grants the user read/write privileges to all panel features; level 2 grants the user read-only privileges to the Notes, Network, Host Port, and Device Info features; level 3 grants the user read-only privileges to just the Notes and Device Info features.

3. Specify the maximum period of time a session will remain open without user activity. If the period expires without user activity, the user is logged out. After specifying the time period, click **Save Session Timer** to save the setting.
4. Configure the auto-save timer. This feature, if enabled, automatically saves the hardware configuration in non-volatile Random Access Memory (RAM) at the specified time interval. If you select Enable Auto-Save, then select a time interval from the drop-down list, and click **Save Auto-Save Timer** to save the setting.

4.7.2 Editing a User

To edit a user record, click to select the user from the Username column and then click **Edit**. Use the information provided in the previous section, “Adding a User,” to edit the record.

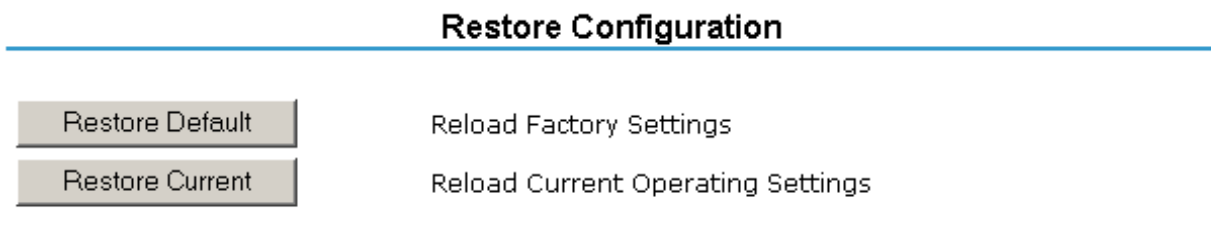
4.7.3 Deleting a User

To delete a user record, click to select the user from the Username column and then click **Delete**.

4.8 Restore Default Screen

Click the **Restore Default** link on the navigation bar to restore the default configuration values for the PW-6000:

Figure 13: PW-6000 Web Server Restore Default Screen



1. Click **Restore Default** to reload the default factory settings for all the configuration variables.
2. Click **Restore Current** to reload the current operational settings for all the configuration variables.

4.9 Apply Setting Screen

Click the **Apply Setting** link on the navigation bar to apply the selected configuration values:

Figure 14: PW-6000 Web Server Apply Setting Screen

Apply Configuration

Apply, Reboot

* The Access Control Device will reboot after Apply Configuration!

Click **Apply, Reboot** to apply all the configured values and reboot the PW-6000.

4.10 Log Out

Click the **Log Out** link on the navigation bar to log out of the web server.

PW-6000 Web Server and Pro-Watch Channels



A

The PW-6000 web server's host port configuration requires corresponding changes in the way the Pro-Watch channels are configured. The PW-6000 web server **host ports** and the Pro-Watch channel **ports** must have the correct values to communicate with each other.

Follow these steps:

1. Set the PW-6000 hardware configuration:
 - a. On the controller board, set the **jumpers J8, J9, J10** on **Port1** to **RS-485**.
 - b. On **Port1**, connect the pins as follows:
 - pin1 = **TR+**
 - pin2 = **TR-**
 - pin5 = **GND** to RS-485 terminals of the Intelligent “Auto” Converter PW5K1CVT1 (i.e., PW-5000 RS-232/RS-485 converter)
 - c. Connect the RS-232 terminal of the PW5K1CVT1 converter to the serial port of your Pro-Watch application server.
2. Set the host port configuration of the PW-6000 web server:
 - a. Login to the Access Control Device Server Configuration Manager.
 - b. Set the **Primary Host** fields as follows:
 - Connection Type = **IP Server**
 - Port Number = **3001**
 - Data Security = **Allow All**
 - c. Set the **Alternate Host Port** fields as follows:
 - Connection Type = **Serial-RS-485**
 - Baud Rate = **38400**
 - Data Security = **None**
 - Flow Control = **RTS Toggle**
 - d. Click **OK**.

-
- e. From the **Setting** menu, select **Apply, Reboot**. The system will display the “Board is Restarting” message.
3. Set the port configuration for the Pro-Watch channel:
 - a. In Pro-Watch, click **Hardware Configuration** on the left navigation bar.
 - b. Right click on your **Site** to launch the mini pop-up menu.
 - c. Select **New > Channel** to display the **Create a Channel** dialog box.
 - d. Click the **Channel Type** drop-down list and select **PW-5000**. The icon of the newly created PW-5000 channel will display in the right pane.
 - e. Right click on the icon of your PW-5000 channel and select **Properties** to display the **Edit Channel Screen** dialog box.

This screen displays configuration fields for the **Primary Port** (related to the Primary Host on the web server) as well as the **Secondary Port** (related to the Alternate Host Port on the web server).

- f. For both **Primary** and **Secondary** ports, select the appropriate values for the following configuration fields:
 - If the Port Type is **Hard Wired** (related to **Serial-RS485** web server host port), then fill in the following settings:
 - ComPort
 - Baud
 - If the Port Type is **TCP/IP** (related to **IP Server** web server host port), then fill in the following settings:
 - IP Address
 - Port Number



Note: If you are using a modem, and the modem uses a procedure that calls Pro-Watch, then the modem must be the primary port.

SNET Reader Settings



B

In this appendix...

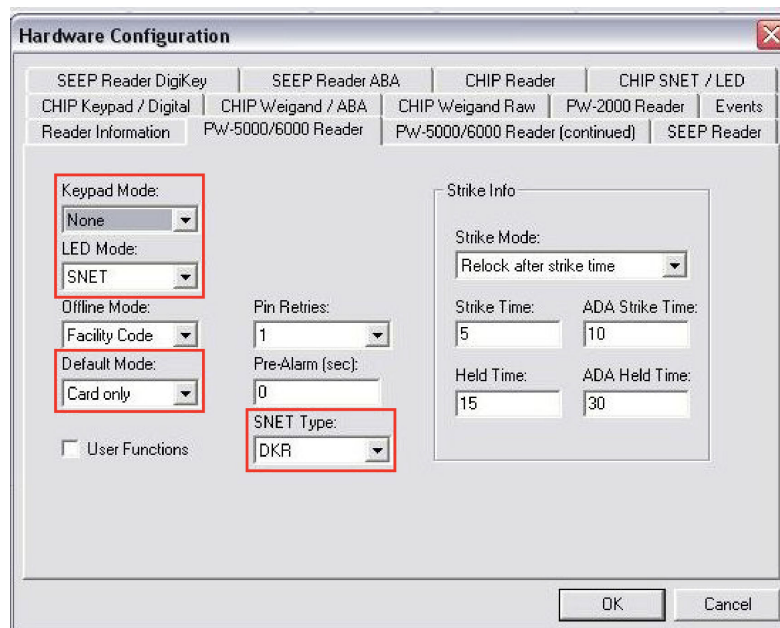
DKR Reader without Keypad	34
DKR Reader with Keypad	34
MSR Reader without Keypad	35
MSR Reader with Keypad	35
SNET Reader from PW-6000 IC	36
SNET Reader from PW-6000 2-Reader Board	37
PW6KIC vs Star Panel SNET Reader Behavior	39

SNET reader types require various settings, depending on the SNET reader type that is being used. You can configure these settings at the logical device or you can pre-configure them in the hardware templates. The advantage of using the hardware template is that the configured settings are applied each time that a new logical device is created, so it saves time when these are configured with the settings that you want to use.

To configure the settings in the hardware template:

1. Go to **Hardware Configuration**.
2. Select **Hardware Templates**.
3. Double-click the appropriate template.
4. Select the tab **Device Types**.
5. Double-click on **Reader**.
6. Select the tab **PW-5000/6000 Reader**.

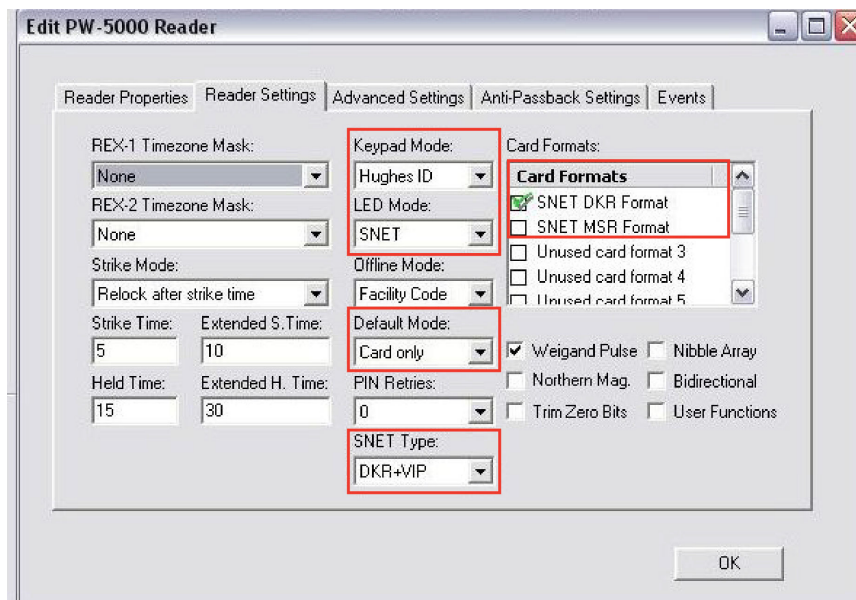
Figure 15: Hardware Configuration Settings



To configure the settings on the Logical Device:

1. Go to **Hardware Configuration**.
2. Expand the appropriate Site.
3. Select the appropriate class (for example, Readers).
4. Double-click the Logical Device.
5. Select the tab **Logical Device Details**.
6. Double-click **Reader**.
7. Select the tab **Reader Settings**.

Figure 16: Edit Reader Settings



B.1 DKR Reader without Keypad

When using DKR reader models without a keypad, you must configure the following reader settings.

Table 1 Configuration Options using DKR readers without keypad

Configuration Options	HW Template and Logical Device	Logical Device Only
Keypad Mode - None	X	
LED Mode - SNET	X	
SNET Type - DKR	X	
Default Mode - Card Only	X	
Card Format - SNET DKR Format		X

B.2 DKR Reader with Keypad

When using DKR reader models with a keypad, you must configure the following reader settings.

Table 2 Configuration Options Using DKR Readers with Keypad

Configuration Options	HW Template and Logical Device	Logical Device Only
Keypad Mode - Hughes	X	
LED Mode - SNET	X	
SNET Type - DKR + VIP	X	
Default Mode - Card and PIN	X	
Card Format - SNET DKR Format		X

B.3 MSR Reader without Keypad

When using MSR reader models without a keypad, you must configure the following reader settings.

Table 3 Configuration Options Using MSR Readers without Keypad

Configuration Options	HW Template and Logical Device	Logical Device Only
Keypad Mode - None	X	
LED Mode - SNET	X	
SNET Type - MSRK	X	
Default Mode - Card only	X	
Card Format - SNET MSR Format		X

B.4 MSR Reader with Keypad

When using MSR reader models with a keypad, you must configure the following reader settings.

Table 4 Configuration Options Using MSR Readers without Keypad

Configuration Options	HW Template and Logical Device	Logical Device Only
Keypad Mode - Indala	X	
LED Mode - SNET	X	
SNET Type - MSRK	X	
Default Mode - Card and PIN	X	
Card Format - SNET MSR Format		X

The default mode can also be any of the other available options, for example Card or PIN, PIN only, etc.

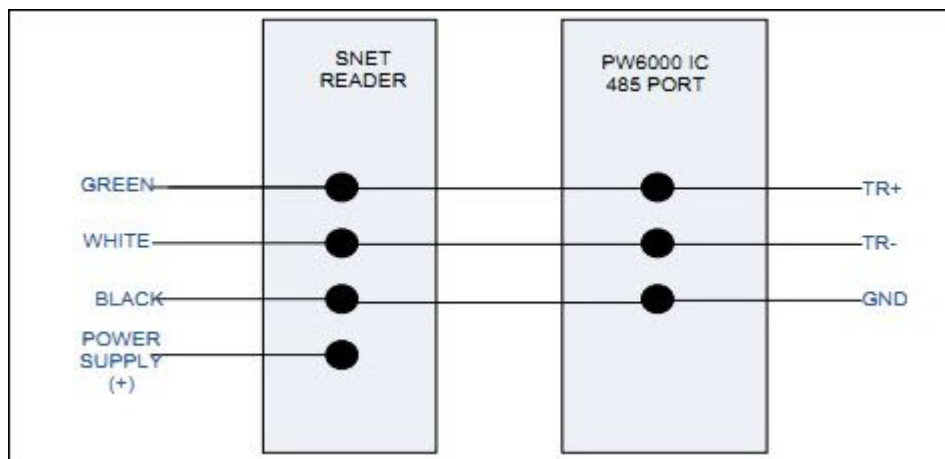
B.5 SNET Reader from PW-6000 IC

Use one of the two RS-485 ports on the PW-6000 IC board to connect SNET readers. Use the other RS-485 port to connect the PW series I/O modules.

When using this configuration, the following rules apply:

- The SNET reader may be multi-dropped.
- Up to 8 readers are supported.
- SNET addresses 1-15 can be used.
- Readers must be powered separately.
- Each reader's address must be unique.

Figure 17: Wiring Diagram for SNET Reader and PW-6000 IC RS-485 Port



B.5.1 Configuring PW-6000 panel properties

To attach SNET readers to the PW-6000 IC, you must modify the panel properties.

To configure the PW-6000 panel for use with SNET:

1. Go to **Hardware Configuration**.
2. Expand the appropriate Site.
3. Go to **Panels**.
4. Double-click the panel.
5. Check the **SNET LED** box.
6. Set port connected to SNET reader to 9600 baud.
7. Set port connected to SNET reader to SNET.
8. Set port connected to PW series I/O modules to 38400.
9. Set port connected to PW series I/O modules to MSP1.

Note: The port numbers for the panel configuration screen refer to the ports on a PW-5000 IC. The following table illustrates the correlation between ports on the PW-5000 and the PW-6000.

PW-5000	PW-6000
Port 3/4	Port 2
Port 5/6	Port 3

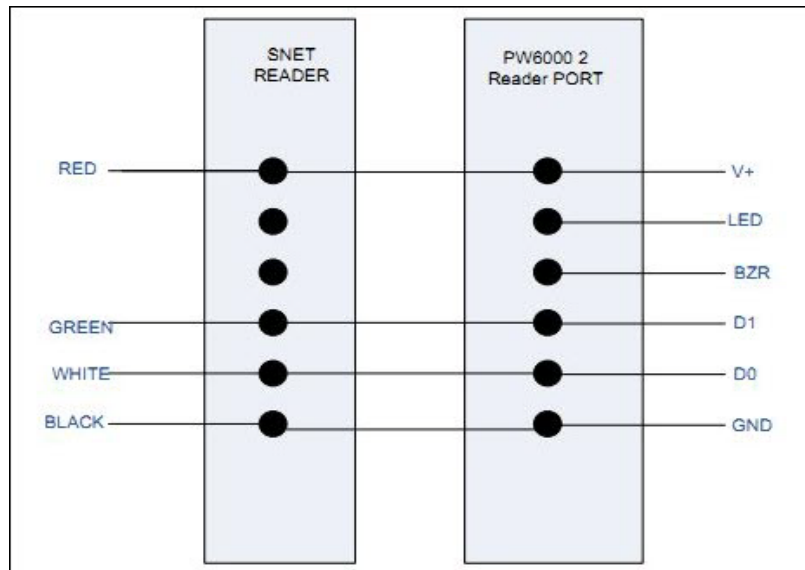
B.6 SNET Reader from PW-6000 2-Reader Board

Use the PW-6000 2-reader board to connect one SNET reader to each Wiegand port on the 2-reader board. Up to 2 SNET readers can be connected to this board.

When using this configuration, the following rules apply:

- This configuration is one-to-one.
- Two readers can be connected to the PW-6000 2 reader board.
- There may be one SNET reader per Wiegand port.
- Only SNET address 1 can be used.
- Readers may be powered from the IC.
- The reader board must be configured with firmware that supports SNET.

Figure 18: Wiring Diagram for SNET Reader and PW-6000 2-Reader Board Port



Caution: Some DKR/MSR readers work with 24VDC only. Please consult your readers manual to see if the reader supports 12VDC.

ATTENTION: Certains lecteurs DKR/MSR doivent être alimenté en 24 VCC uniquement. Veuillez consulter la documentation du lecteur pour valider qu'il supporte du 12 VCC.



Caution: If the reader does not support 12VDC, apply power separately to the readers.

ATTENTION: Si le lecteur ne supporte pas du 12 VCC, alimentez le lecteur à l'aide d'une alimentation séparée.

B.7 PW6KIC vs Star Panel SNET Reader Behavior

The reader is the most visible item to users of an access control system. Making the transition from a SEEP/CHIP panel to a PW-6000 IC panel with SNET reader support comes with different reader behavior. The following list provides an overview of the differences in SNET reader behavior between the PW6KIC and SEEP/CHIP panels.

Table 5 Configuration Options Using MSR Readers without Keypad

Event	SEEP/CHIP Behavior	PW6KIC Behavior
Door Forced Open	The reader beeps continuously when the pre-alert is configured.	The reader does not beep on door forced open.
Door Held Open	The reader beeps intermittently x seconds before a door held open alarm is raised. At the door held open time it beeps continuously until the door is closed.	The reader does not beep at all.
Reader + Keypad mode	The LED turns yellow awaiting PIN entry after card presentation.	The LED turns yellow awaiting PIN entry after card presentation.
Reader + Keypad mode	The LED turns yellow awaiting card presentation after entering PIN.	The LED turns yellow after first PIN digit entry. After entering the full PIN, the LED turns red awaiting card presentation.
Reader Offline Mode: Facility	Not a SEEP/CHIP feature	When the reader board loses communication to the PW6KIC, the reader board grants access to all cards. The LED mode is red and does not turn green. After some time, the LED turns off completely. Recommend using offline mode: LOCKED.
Reader Offline Mode: Unlocked	Not a SEEP/CHIP feature	Door unlocks, LED remains red.
Reader Offline Mode: Locked	Not a SEEP/CHIP feature	Door remains locked, LED remains red.
PIN only Mode	Keypad LED is red.	Keypad LED is yellow.

Table 5 Configuration Options Using MSR Readers without Keypad (continued)

Event	SEEP/CHIP Behavior	PW6KIC Behavior
Building Mode LED indication	SEEP/CHIP specific feature	Not a PW6KIC feature
Require 2 card control	Not a SEEP/CHIP feature	After first card presentation, the LED blinks Green/Off.

The following SNET features are not available on the PW6KIC:

- Reads range
- Verification reads
- Verification Time
- Beeper On/Off/Combined
- Forward digicode to ACU one
- Continue forwarding digicode
- Star 2 LED color configuration

Table 6 compares PW6KIC new features to SEEP/CHIP panel features.

Table 6 Configuration Options Using MSR Readers without Keypad

Feature	Behavior
Secure Mode	Allows an operator to monitor access on a door and manually grant/deny access.
Card or PIN	Allows the use of either a card or PIN to gain access to a door.
ADA card option	Allows a user an extended unlock time, for example for wheelchair access.
PIN Exempt	Exempts a user from entering a PIN on a card reader with keypad.

For more information: www.honeywellintegrated.com

Honeywell Integrated Security

135 W. Forest Hill Avenue
Oak Creek, WI 53154
414-766-1700
414-766-1798 Fax

European Office

Boblingerstrasse 17
D-71101 Schonaich
Germany
49-7031-637-782
49-7031-637-769 Fax
www.honeywell.com

Specifications subject to change
without notice.

© Honeywell. All rights reserved.
800-00005V3

Honeywell