

# Manual For Ventilated Cabinets

Product Name: Waterproof Filter

Model: PSTFILTAV

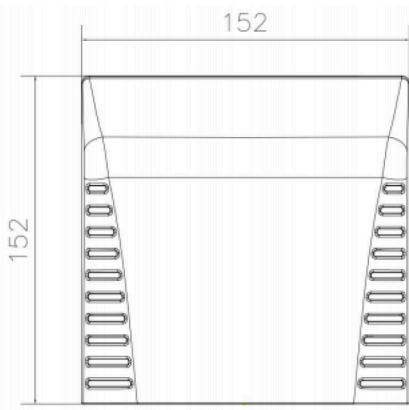


Front View

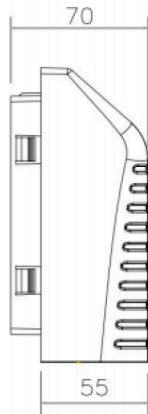


Rear View

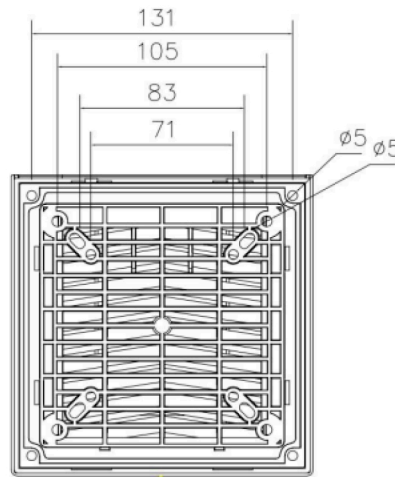
## Shape Dimension Diagram, Opening Size Diagram



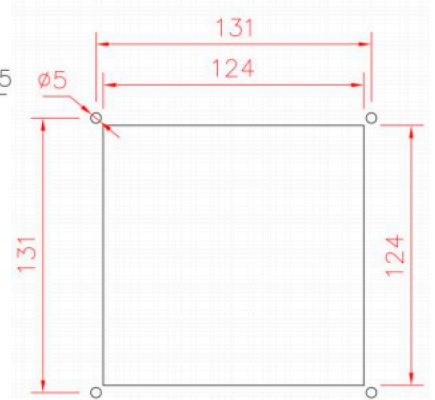
outline dimensional diagram



Side dimension diagram



Dimension diagram of screw hole



Opening size diagram

## Installation Diagram

