

# Black Surface-Mount Electric Rim Strike

**SD-998C-BD3A** 1/2" Housing Thickness

The SECO-LARM Surface-Mount Electric Rim Strike is designed with the strength and durability for use with rim-type exit devices with a Pullman latch bolt 1/2" throw. The strike features 12/24 VDC operating voltage, selectable fail-safe/fail-secure operation, horizontal adjustment, and a surface-mount metal housing, eliminating the need for frame cutting during installation.

## Features

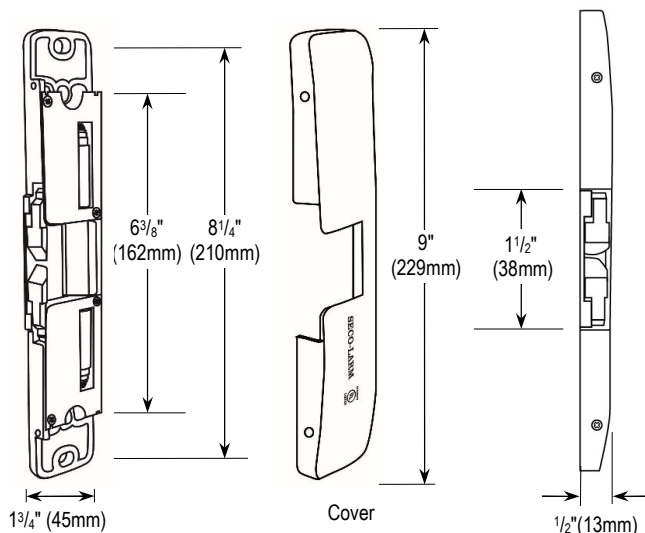
- UL 294 & UL 1034 Listed
- Vandal-resistant
- 12/24 VDC Operating voltage
- Non-polarized connection
- Horizontal adjustment
- Accommodates up to 3/4" Pullman latch
- Reversible non-handed design
- Stainless steel construction
- Surface-mount on metal or wood frames
- Works with standard rim-type exit devices including SECO-LARM SD-962AR-36A and SD-962AR-36G
- For Indoor Use Only
- Static strength – 1,500-lb (6673N)
- Tested for 250,000 cycles (UL Tested)
- Low current draw: 540mA@12VDC, 270mA@24VDC
- Field-selectable for fail-safe or fail-secure
- Spacers included: 1x1/16", 2x 1/8" (1.5mm, 3mm)

## Specifications

Operating voltage	12/24 VDC
Current draw	540mA@12VDC, 270mA@24VDC
Maximum latch throw	1/2" (13mm)
Static strength	1,500-lb (6673N)
Dynamic strength	70ft-lb (95J)
Endurance	250,000 cycles (UL Tested), Level IV
Destructive attack	Level I
Line security	Level I
Standby power	Level I
Operating temperature	14°~120° F (-10°~49° C)
Operating humidity	0~85%
Dimensions	9"x1 3/4"x1 1/2" (229x45x13 mm)



## Dimensions



## SECO-LARM® U.S.A., Inc.

16842 Millikan Avenue, Irvine, CA 92606

Phone: (949) 261-2999 | (800) 662-0800 Fax: (949) 261-7326

Website: [www.seco-larm.com](http://www.seco-larm.com) Email: [sales@seco-larm.com](mailto:sales@seco-larm.com)



Copyright © 2024 SECO-LARM U.S.A., Inc. All rights reserved. All trademarks are the property of SECO-LARM U.S.A., Inc. or their respective owners. The SECO-LARM policy is one of continual development. For that reason, SECO-LARM reserves the right to change prices and specifications without notice. SECO-LARM is not responsible for misprints.

SECO-LARM® ENFORCER® CRIMEBUSTER® CBA® SLI®

PI\_SD-998C-BD3A\_231115.docx